





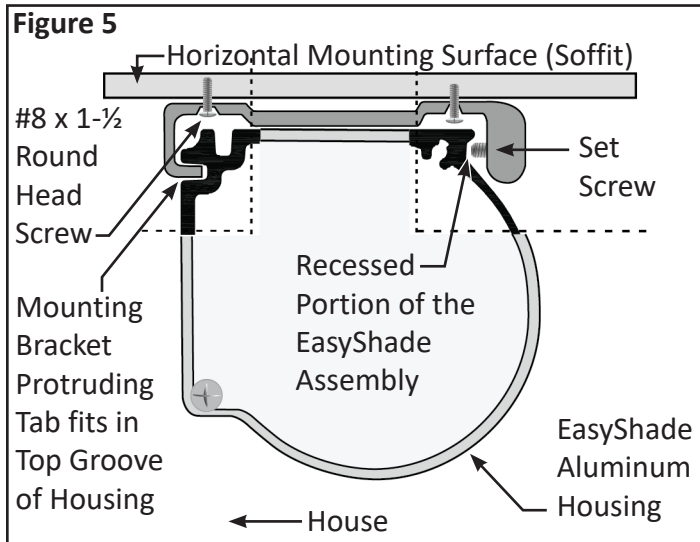






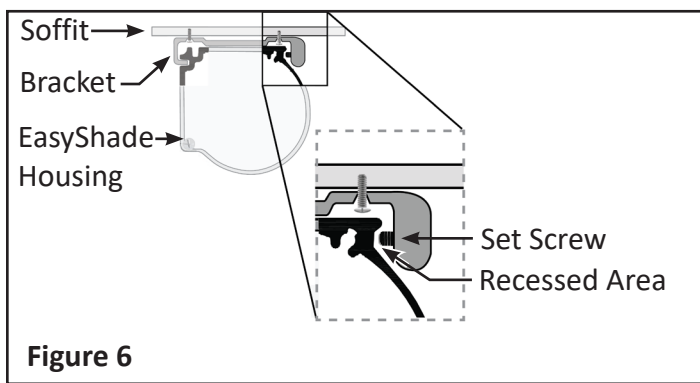
## INSTALL MOUNTING BRACKET - HORIZONTAL

6. For mounting on an underside structure (Horizontal Surface), secure each Bracket with two (2) #8 x 1-½" Round Head Screws. **Note the orientation of the Bracket;** the end with the Set Screw should face toward you as you face your Mounting Location. See **Figure 5**.

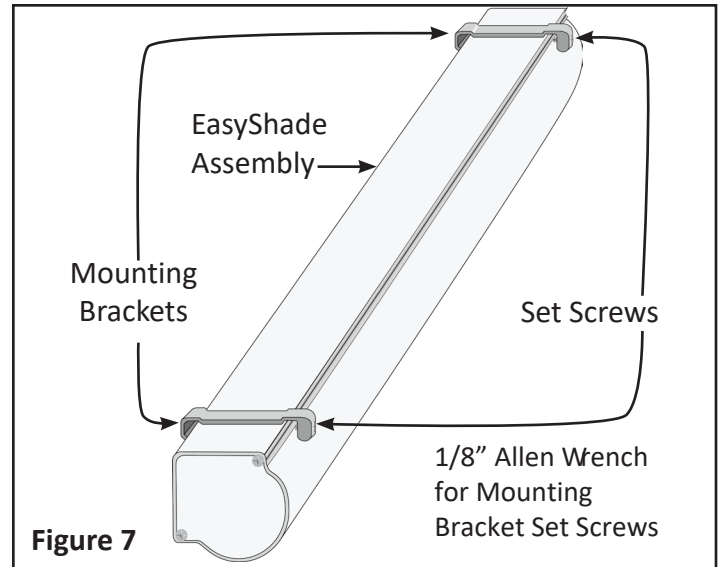


## INSTALL EASYSHADE INTO BRACKETS

7. With your helper, lift the EasyShade Assembly up to the installed Mounting Brackets and insert the Top Groove of the EasyShade Assembly onto the Protruding Tab of the Mounting Brackets (see **Figure 4** and **5**). While maintaining upward pressure to keep the Top Groove of the EasyShade Assembly on the Tab of the Mounting Brackets, press the EasyShade Assembly toward the Mounting Bracket and be sure the Set Screw is aligned in the Recessed Area of the EasyShade Assembly. See **Figure 6**.



8. Using the supplied 1/8" Allen wrench, tighten the Set Screw in each Mounting Bracket until the EasyShade Assembly is secure. See **Figure 7**.



**Note: The Up and Down Stop Limits on the EasyShade Motor were set at the factory prior to shipment. The Down Stop Limit was set for a 36" extension. This will allow for completion of the installation process.**

9. Extend your EasyShade using the **DOWN** Button on your Remote Transmitter (see **Figure 8**). Once you have extended the EasyShade, **unplug the Motor Power Cord from the Solar Panel Cord.**

**Figure 8**

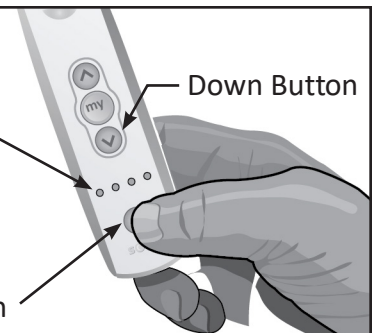
EasyShade is programmed to operate on Channel 1.

**Note:** If the EasyShade does not respond when you press the **DOWN** Button on the Remote Transmitter, check to see if the first Channel Selector Light on the Remote Transmitter blinks on and off when you press the **DOWN** Button (see **Figure 9**). If one of the other Channel Lights comes on, press the Channel Selector Button until you have switched to the first Channel. See **Figure 9**.

**Figure 9**

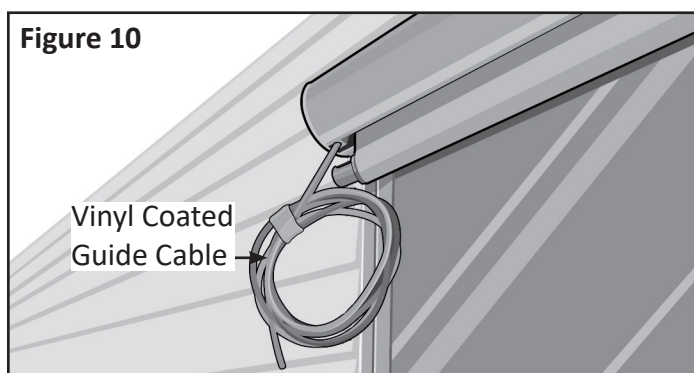
First Light on the left is Channel 1. **Use Channel 1 to operate your EasyShade.**

Channel Selector Button

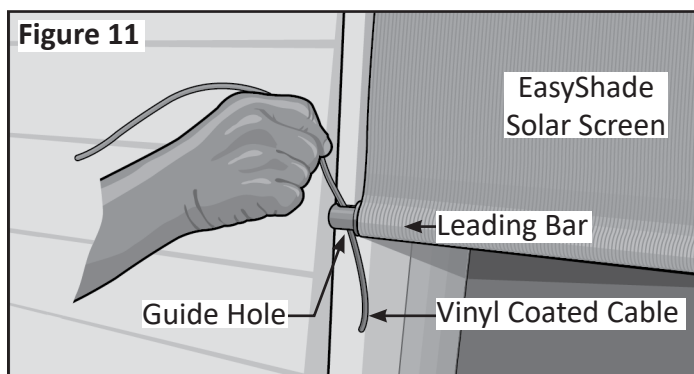


**CAUTION:** The installation procedure for the Motorized EasyShade includes the use of Cable Guides to stabilize the extended Solar Screen Fabric Panel during normal use. If your application does not permit the installation of the necessary Cable Guides or you do not plan to install them, you must use additional care to prevent damage to your product. While we do not recommend installing the Motorized EasyShade without the supplied Cable Guides, some customers may determine that their application does not have a vertical surface to install the supplied Cable Guides as instructed.

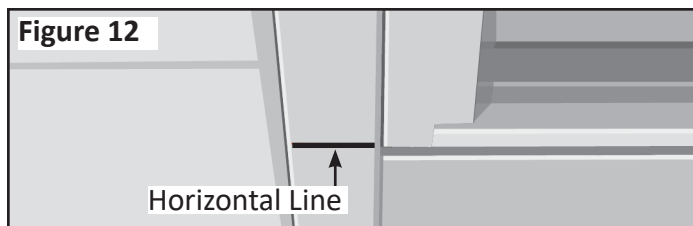
10. Unroll the Vinyl Coated Guide Cables located at each end of the Aluminum Housing Assembly, and allow them to hang flat against the Mounting Surface. See **Figure 10**.



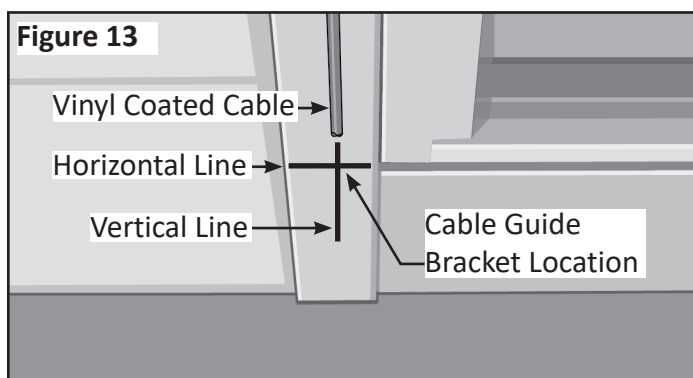
11. Insert the Vinyl Coated Guide Cable, located at each end of the Aluminum Housing Assembly, through the Guide Holes at each end of the Leading Bar at the bottom of the EasyShade Solar Screen. See **Figure 11**.



12. Determine how far down your EasyShade will be extended (this is limited to the length of the Vinyl Coated Cable, but you can not exceed 84" from the bottom of the EasyShade Housing). **Mark a Horizontal Line** on the wall below each end of the EasyShade Housing Assembly. See **Figure 12**.

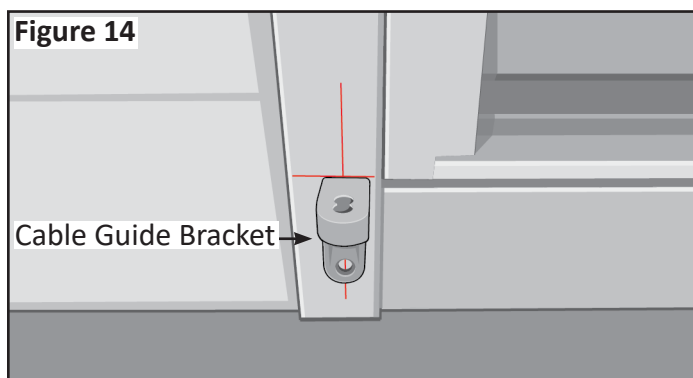


13. Using the Vinyl Coated Cable as a guide, ensure the Cable is straight and plumb (using a level) and mark a Vertical Line (see **Figure 13**) where it crosses the Horizontal Line made in **Step 12**. Cable Guide Brackets must be mounted on the same vertical plane as the EasyShade Aluminum Housing.



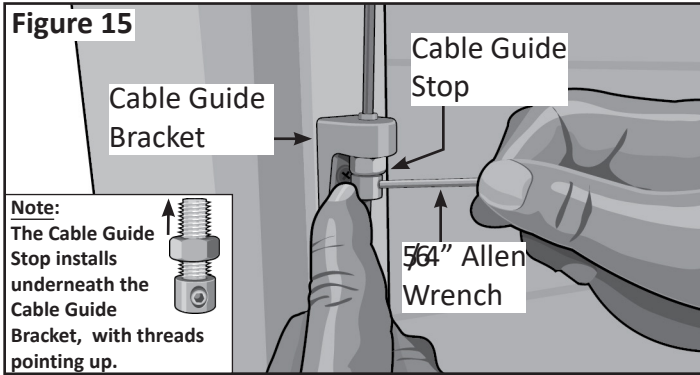
14. Locate the Cable Guide Brackets and Cable Guide Stops in your Hardware Package.

15. Align the top of the Cable Guide Brackets below the Horizontal Line and centered on the Vertical Lines as shown in **Figure 14**. Ensure the Bracket is plumb and on the same vertical plane as the Aluminum Housing above, then mark both screw hole locations. Remove the Bracket and pre-drill both screw hole locations with a 1/8" drill bit. Repeat for the other side of the EasyShade.



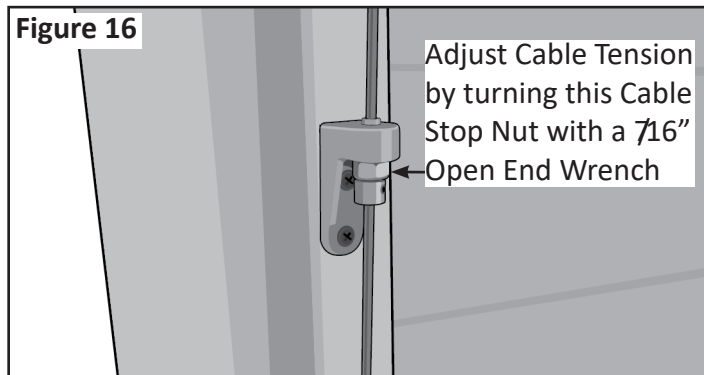
16. Place the Cable Guide Bracket over the pre-drilled holes and secure in place with the #8 x 1-1/2 Flat Head Screws.

17. Place the lower end of one of the Vinyl Coated Cables through the hole in the Cable Guide Bracket you just installed. From the bottom, slide one of the Cable Guide Stops onto the Vinyl Coated Cable and secure in place with the supplied  $\frac{5}{64}$ " Allen Wrench. Repeat for the other side of the EasyShade. See Figure 15.

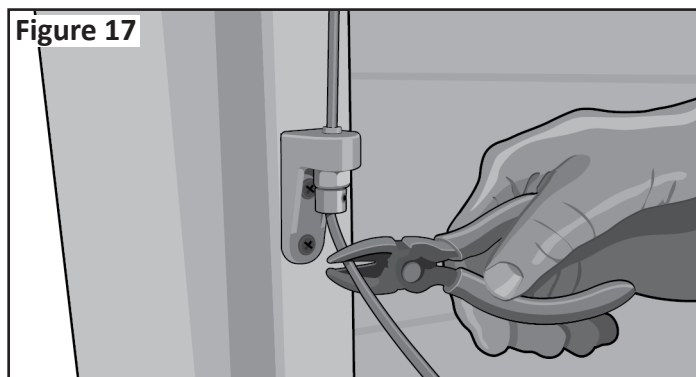


18. Ensure the Vinyl Coated Cables are tight. Adjust Cable Tension by turning the Cable Stop Nut Counter Clockwise, using a  $\frac{7}{16}$ " Open End Wrench. See Figure 16.

**Note:** Do not over tighten the Cable.



19. Trim off excess Vinyl Coated Cable extending from the bottom of the Cable Guide Stops, if desired. See Figure 17.

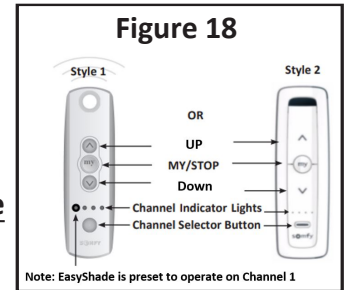


**Note:** The Solar Screen is preset to stop 36" from the Housing. This position can be changed to lower the Solar Screen as much as 84" from the Housing.

**20. Plug in the Motor.**

Press and release the UP  $\uparrow$  button on your Remote Transmitter to retract the EasyShade. See Figure 18.

21. Press and release the DOWN button on your Remote Transmitter to extend the EasyShade to the current "factory setting." **Let the EasyShade stop on its own.** See Figure 18.



22. Press and hold the UP  $\uparrow$  and DOWN  $\downarrow$  buttons on the Remote Transmitter **simultaneously**, until the EasyShade jogs or moves, then release the buttons. See Figure 18.

**Note:** The EasyShade is temporarily in Programming Mode. The UP  $\uparrow$  and DOWN  $\downarrow$  buttons on the Remote Transmitter must be pressed and held to reposition the EasyShade. When either button is released, the Solar Screen will stop moving.

23. Press the DOWN  $\downarrow$  or UP  $\uparrow$  buttons individually to adjust the new Down stop limit to the position marked in Step 12. See Figure 12.

**CAUTION:** Do not let the EasyShade extend more than 84" from the Housing. See Figure 19.

24. Press and hold the STOP (my)  $\text{my}$  button on the Remote Transmitter until the EasyShade jogs, then release. Your new Down limit position is set and Programming Mode ends. The UP and DOWN buttons now return to work in "one-touch" User mode.

