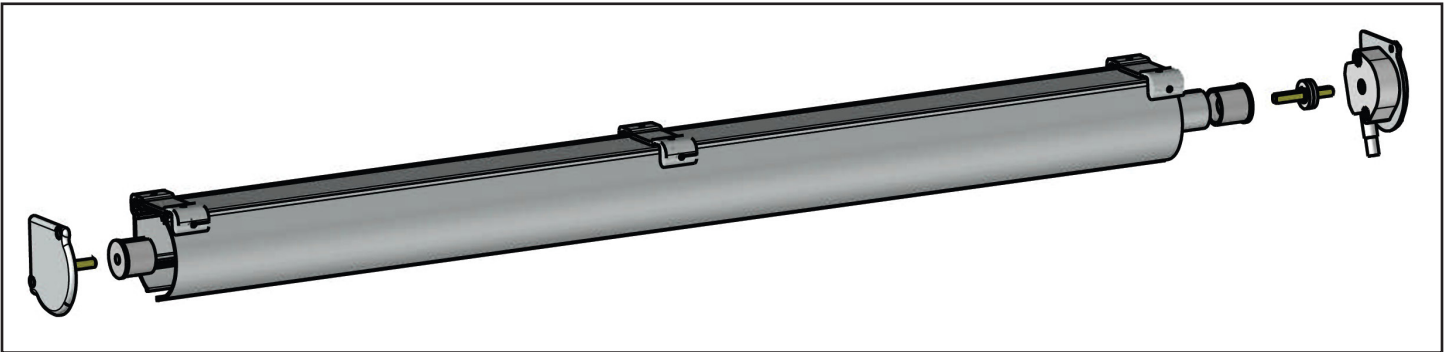




For Technical Support visit us at [ownerscorner.sunsetter.com](http://ownerscorner.sunsetter.com)  
or Call Toll Free 800-670-7071 • Fax 877-224-4944

## SunSetter EasyShade Gear Assembly Replacement Instructions



**Tools Needed:** Phillips screwdriver

**Parts Supplied:** Gear assembly

**WARNING: FAILURE TO FOLLOW THE INSTRUCTIONS BELOW CAN RESULT IN PERSONAL INJURY!**

**STEP 1.** Insert the manual crank wand into the crank loop on the EasyShade.

**STEP 2.** Unroll the EasyShade panel to the fully extended position. Remove the crank wand from the crank loop.

**NOTE:** Before proceeding, please familiarize yourself with the components of the EasyShade as shown in Figure 1.

**STEP 3.** Remove the three screws that secure the Right End Plate to the Housing and carefully remove the End Plate and Gear Assembly from the Housing. Take care that no internal components are lost when you separate the End Plate and Housing.

**STEP 4.** Using a Phillips screwdriver remove the Crank Loop from the old Gear Assembly and install it on the new Gear Assembly.

**STEP 5.** Prior to re-installing the End Plate review Figure 1. Verify that the Drive Shaft and the White Nylon Washer are installed. Align the square hole in the Gear Assembly with the Drive Shaft and slide the Gear Assembly onto the Drive Shaft until the End Plate meets the Housing. Align the screw holes in the End Plate with the Housing and secure in place with the Phillips head screws removed in STEP 3.

**STEP 6.** Test the EasyShade panel for proper operation, by rolling the panel up and then unrolling the panel.

