



For technical support, visit us at [ownerscorner.sunsetter.com](http://ownerscorner.sunsetter.com)  
or call 800-670-7071, fax 877-224-4944

## SunSetter EasyShade™ Panel Replacement Instructions

**\*Helper Needed\***

**Tools Needed:** Crank Wand, Phillips Screwdriver, Knife or Scissors

**Parts Supplied:** EasyShade Panel

**WARNING: FAILURE TO FOLLOW THESE INSTRUCTIONS CAN RESULT IN PERSONAL INJURY! PLEASE READ AND FOLLOW THESE INSTRUCTIONS IN ITS ENTIRETY BEFORE ATTEMPTING TO COMPLETE THIS PROCESS.**

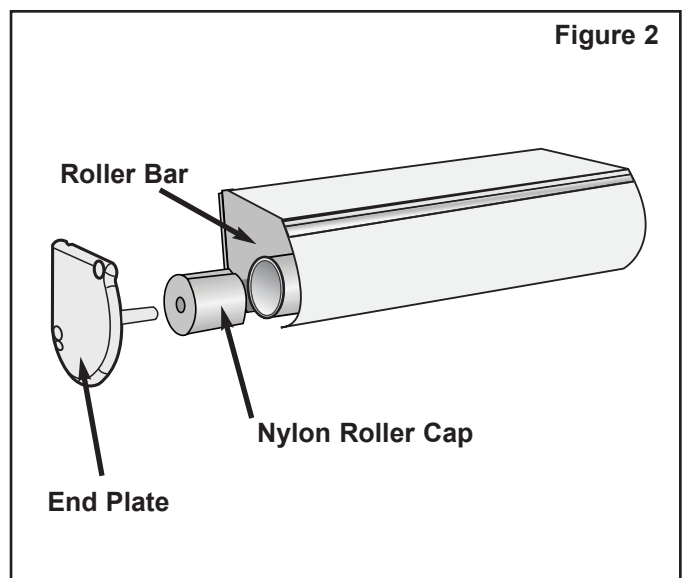
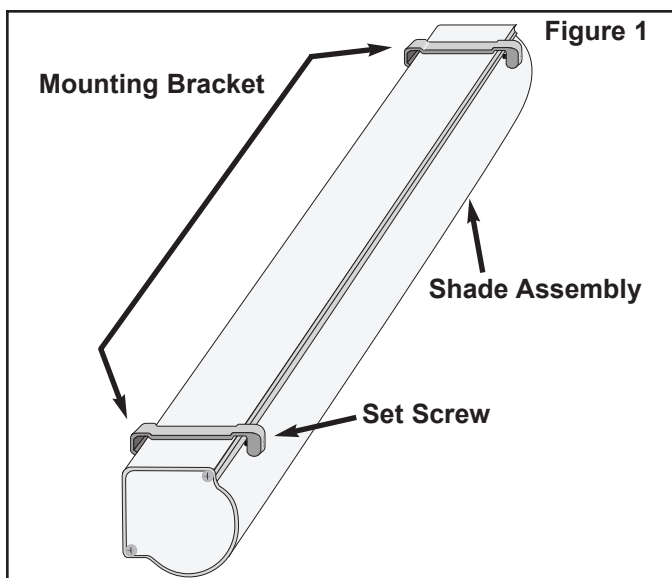
**STEP 1.** Insert the crank wand into the crank loop on the EasyShade.

**STEP 2.** Turn the crank wand to unroll the EasyShade panel until the panel is fully extended.

**STEP 3.** Carefully remove the PVC tubing from the bottom sleeve of the EasyShade panel. Place the PVC tubing in a safe location for use during reassembly operations.

**STEP 4.** While your helper supports the EasyShade assembly, loosen the set screws in the mounting brackets (See Figure 1) and remove the shade assembly from the mounting brackets. Place the shade assembly on a clean work surface.

**STEP 5. ON THE END OPPOSITE THE CRANK LOOP,** remove the two Phillips screws from the end plate of the EasyShade housing. Remove the end plate. See Figure 2.



**STEP 6.** Remove the nylon roller cap at the end of the EasyShade roller bar. See Figure 2.

**STEP 7. NOTE THE ORIENTATION OF THE EASYSHADE PANEL,** hemmed (folded) edges on the top and bottom facing toward the rear of the shade assembly.

**STEP 8.** With your helper, slide the old EasyShade panel out of the shade assembly.

**STEP 9.** Remove the new EasyShade panel from its package and orient it the same way as explained in Step 7.

**STEP 10.** With your helper, slide the new EasyShade panel into the slot in the roller bar inside the shade assembly. Trim the small gray cord so that it is even with the ends of the roller bar.

**STEP 11.** Reinstall the nylon roller cap into the EasyShade roller bar and secure the end cap with two Phillips screws. See Figure 2.

**STEP 12.** Slide the PVC tube into the bottom sleeve of the new EasyShade panel.

**STEP 13.** Orient the shade assembly so that the crank loop is on your right as you face the installed brackets.

**STEP 14.** With your helper, lift the shade assembly up to the installed mounting brackets and insert the top groove of the shade assembly onto the protruding tab on the mounting brackets. (See Figure 3). While maintaining upward pressure to keep the top groove of the shade assembly on the tab of the mounting brackets, press the shade assembly, toward the mounting bracket and be sure that the set screw is aligned in the recessed portion of the shade assembly. See Figure 3a.

**STEP 15.** Tighten the set screw in each mounting bracket until the shade assembly is secure. See Figure 1.

**STEP 16.** Test the EasyShade panel for proper operation, by rolling up and unrolling the panel.

