



For Technical Support visit us at ownerscorner.sunsetter.com or
Call Toll Free 800-670-7071 • Fax 877-224-4944

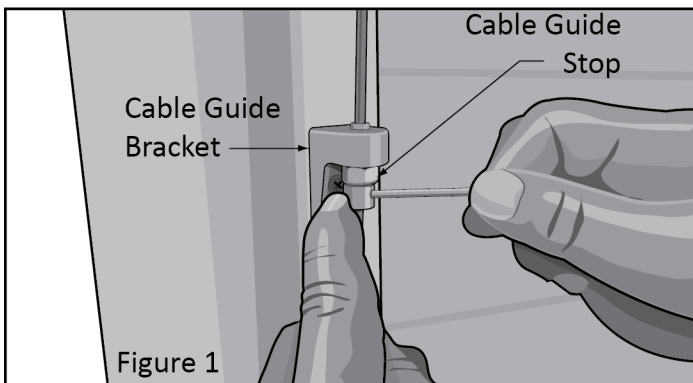
Motorized EasyShade End Plate w/Pin Replacement * Helper Needed *

Tools Needed: Phillips Screwdriver, $\frac{5}{64}$ " Allen wrench

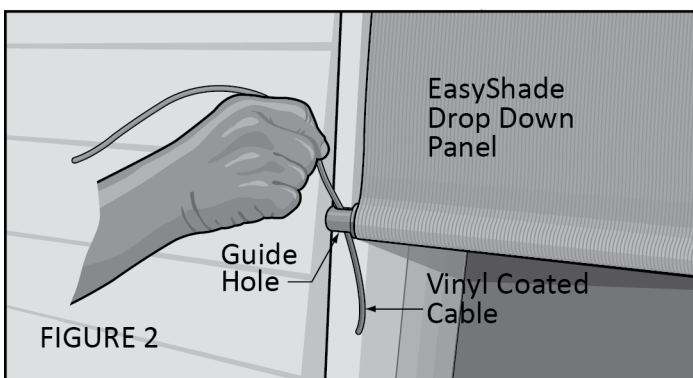
Parts Supplied: Replacement end plate w/pin

**WARNING: FAILURE TO FOLLOW THESE INSTRUCTIONS CAN RESULT IN PERSONAL INJURY!
PLEASE READ THESE INSTRUCTIONS IN ITS ENTIRETY BEFORE ATTEMPTING TO COMPLETE
THIS PROCEDURE.**

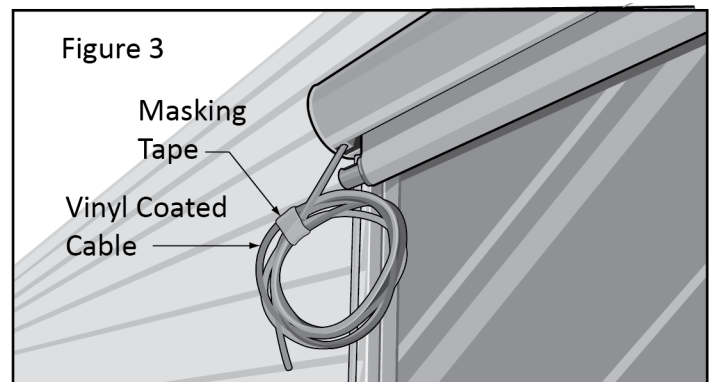
1. Close your EasyShade completely.
2. Unplug the power cord from the outlet.
3. Remove the Cable Guide Stops from the bottom of the Vinyl Coated Cable on each side of the EasyShade using a $\frac{5}{64}$ " Allen wrench. See **Figure 1**.



4. Pull the Vinyl Coated Cable out of the Guide Holes in each end of the EasyShade Drop Down Panel. See **Figure 2**.



5. Coil the Vinyl Coated Cable and secure with a piece of masking tape. See **Figure 3**.

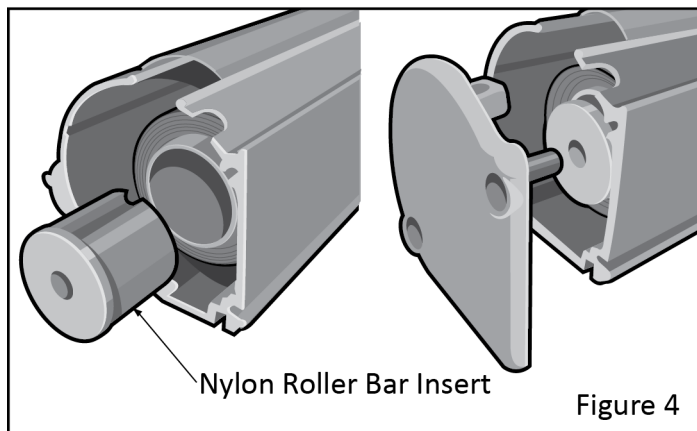


6. While your helper supports the EasyShade, loosen the set screws on the Mounting Brackets. With the aid of your helper remove the EasyShade from the Brackets and place it carefully in your work area.

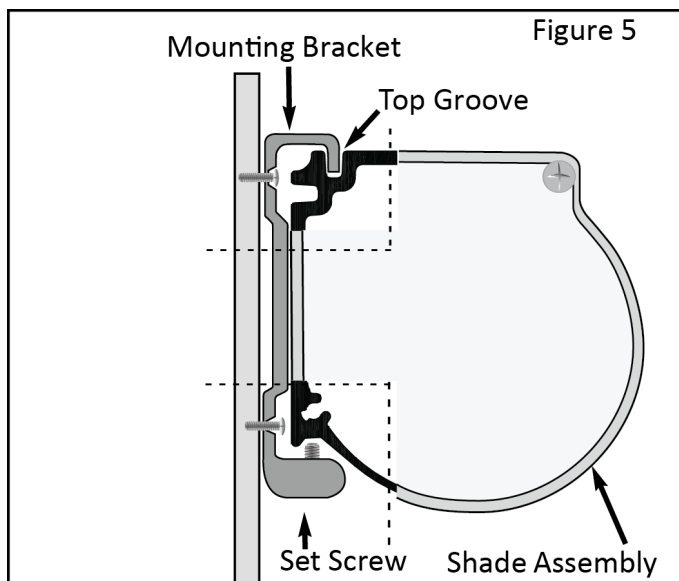
Note: Before performing Step 7, take a moment to observe the orientation of the Housing End Plate and Vinyl Coated Cable.

7. On the end of the Housing opposite the Motor, remove the two Phillips head screws that secure the End Plate to the Housing and remove the End Plate.
8. Note the location of the Vinyl Coated Cable in the existing End Plate. Remove the Cable and insert the Cable into the same location of the replacement End Plate.

9. Make sure that the Nylon Roller Bar Insert is in place and slide the new End Cap into the Insert. Ensure that the Vinyl Coated Cable is positioned in the Fabric Slot. Align the End Plate with the Housing and install the two Phillips head screws to secure it in place. See **Figure 4**.



10. With your helper, lift the Shade Assembly up to the installed Mounting Brackets and insert the Top Groove of the Shade Assembly onto the protruding tab on the Mounting Brackets. While maintaining upward pressure to keep the Top Groove of the Shade Assembly on the tab of the Mounting Brackets, press the Shade Assembly toward the Mounting Bracket and be sure that the Set Screw is aligned in the recessed portion of the Shade Assembly. See **Figure 5**.



11. Tighten the set screw in each Mounting Bracket until the Shade Assembly is secure.

12. Plug the motor power cord into your electrical outlet.

13. Open your EasyShade using the Open button on your Remote Transmitter. Once you opened the EasyShade, unplug the power cord from the electrical outlet.

14. At each end of the EasyShade Housing Assembly, allow the Vinyl Coated Cable to hang flat against the mounting surface.

15. Insert the Vinyl Coated Cable located at each end of the Housing Assembly through the Guide Holes at each end of the EasyShade Drop Down Panel. See **Figure 2**.

16. Place the lower end of one of the Vinyl Coated Cables through the hole in the Cable Guide Bracket and, from the bottom, slide one of the Cable Guide Stops onto the Vinyl Coated Cable and secure it in place with the supplied $\frac{5}{64}$ " Allen wrench. Repeat for the other side of the EasyShade. See **Figure 1**.

17. You should check to ensure that the Vinyl Coated Cables are tight; if they seem to be loose you can adjust the tension using a $\frac{7}{16}$ " open end wrench as follows. On each of the Cable Guide Stops you will find $\frac{7}{16}$ " nut, by turning the nut Counter Clockwise you can tighten the Cable.

Note: Do Not Overtighten the Cable.

18. Plug the power cord back into the electrical outlet, if not already done so.

19. Test the operation of your EasyShade by using the Open and Close buttons on your Remote Transmitter.

20. If you need to **adjust the Open or Close limit**, use the attached instruction, **Appendix A, Adjusting the Open and Close Limits of the EasyShade Motor**.