



For Technical Support visit us at [www.sunsetter.com/ownerscorner](http://www.sunsetter.com/ownerscorner)  
or Call Toll Free 800-670-7071 • Fax 877-224-4944

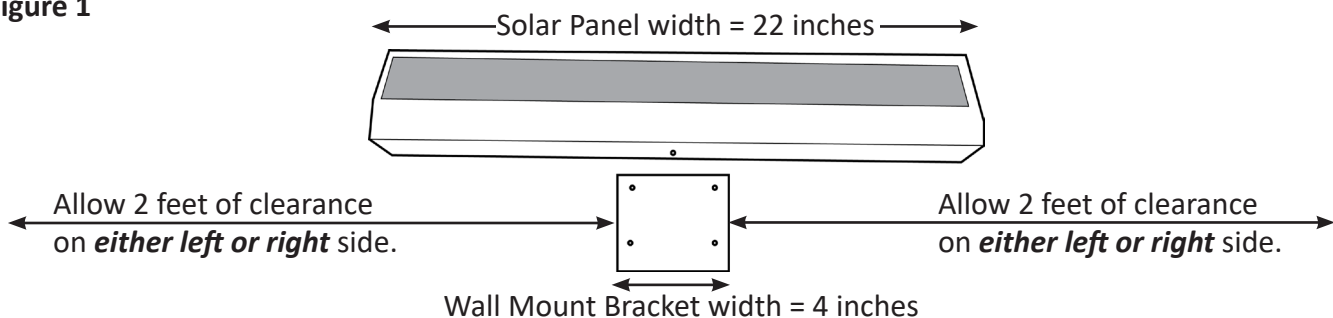
## Solar Panel Installation, Using Wall Mount Bracket

**Tools Needed:** Level, Pencil, Drill bit, #2 Phillips screwdriver, and one 4mm Allen Wrench.

**Parts Supplied:** One Solar Panel Wall Mount Bracket and four Mounting Screws.

**WARNING: FAILURE TO FOLLOW THESE INSTRUCTIONS CAN RESULT IN PERSONAL INJURY!! PLEASE READ THESE INSTRUCTIONS IN ITS ENTIRETY BEFORE ATTEMPTING TO COMPLETE THIS PROCESS.**

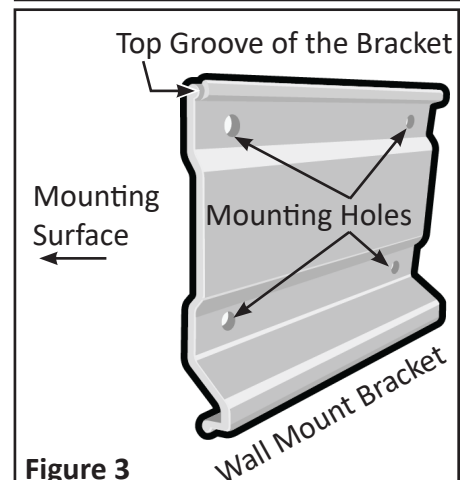
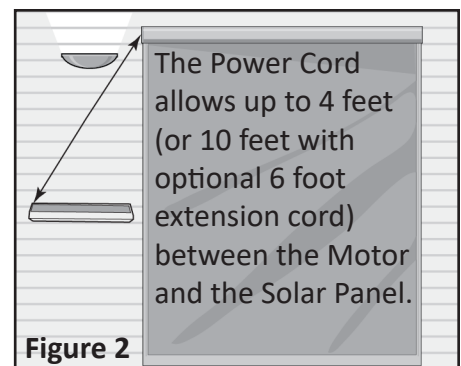
Figure 1



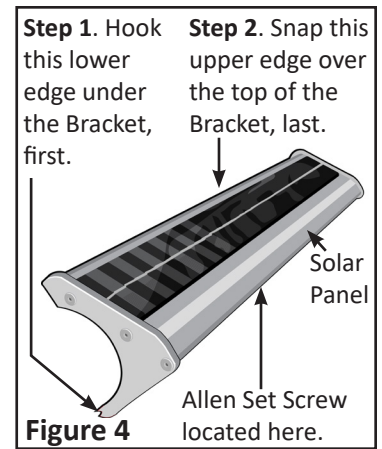
### INSTALLATION

1. Select a sunny location to mount the Solar Panel Wall Mount Bracket.  
**Mounting Location:** The mounting location can be anywhere within reach (see **Figure 2**) of the four foot Power Cord connecting the Solar Panel to the Motor of the Solar Powered Motorized EasyShade.  
**Note:** Allow two feet of unobstructed wall space on either the left side or the right side of the Wall Mount Bracket (see **Figure 1**) to allow sufficient space to slide the Solar Panel off the Wall Bracket, if needed.
2. Hold the Mounting Bracket to your selected mounting location.
3. Level the Mounting Bracket using a Level or similar reference, such as house siding, window edge, or other level trim.
4. Mark four Mounting Screw Hole locations (see **Figure 3**) with a Pencil.
5. Drill four Hole Locations marked in **Step 4**.
6. Mount the Bracket using the four Mounting Screws.
7. Connect the Power Cord from the Solar Panel to the Motor Cord of the Solar Powered Motorized EasyShade.

Continued on next page . . .



8. Center the Solar Panel in front of the Mounting Bracket.
9. Set the bottom of the Solar Panel against the house, so the Allen Set Screw (see **Figure 4**) points up toward the bottom of the Mounting Bracket.
10. Hook the lower edge of the Panel under the lower edge of the Mounting Bracket. See **step 1** in **Figure 4**.
11. Press the top of the Solar Panel over the top of the Mounting Bracket, so the top Lip of the Panel snaps onto the top Groove of the Bracket. See **step 2** in **Figure 4**.
12. Tighten the Allen Set Screw, under the Solar Panel, ensuring the Solar Panel is secured to the Bracket and will not slide either left or right.



## REMOVAL OF SOLAR PANEL FROM WALL MOUNT BRACKET

1. Disconnect the Power Cable between the Solar Panel and EasyShade Motor.
2. Loosen the Allen Set Screw (see **Figure 4**) under the Solar Panel.
3. Carefully slide the Solar Panel to the left or right side, until it separates from the Bracket.

**CAUTION:** If the Solar Panel does not easily slide off the Wall Mount Bracket, nudge it gently. Do not use a hammer to bang the Solar Panel Assembly, as permanent damage may occur.

**WARNING:** WHEN USING A LADDER OR ANY OTHER CLIMBING DEVICE, YOU MUST USE EXTRA CAUTION WHEN SLIDING THE PANEL OFF THE BRACKET. WE RECOMMEND TO POSITION THE CLIMBING DEVICE TO THE SIDE TOWARD WHICH YOU WILL BE REMOVING THE PANEL. IT IS HIGHLY RECOMMENDED TO HAVE A HELPER SECURE THE CLIMBING DEVICE. FAILURE TO DO SO COULD RESULT IN A FALL AND IN PERSONAL INJURY.