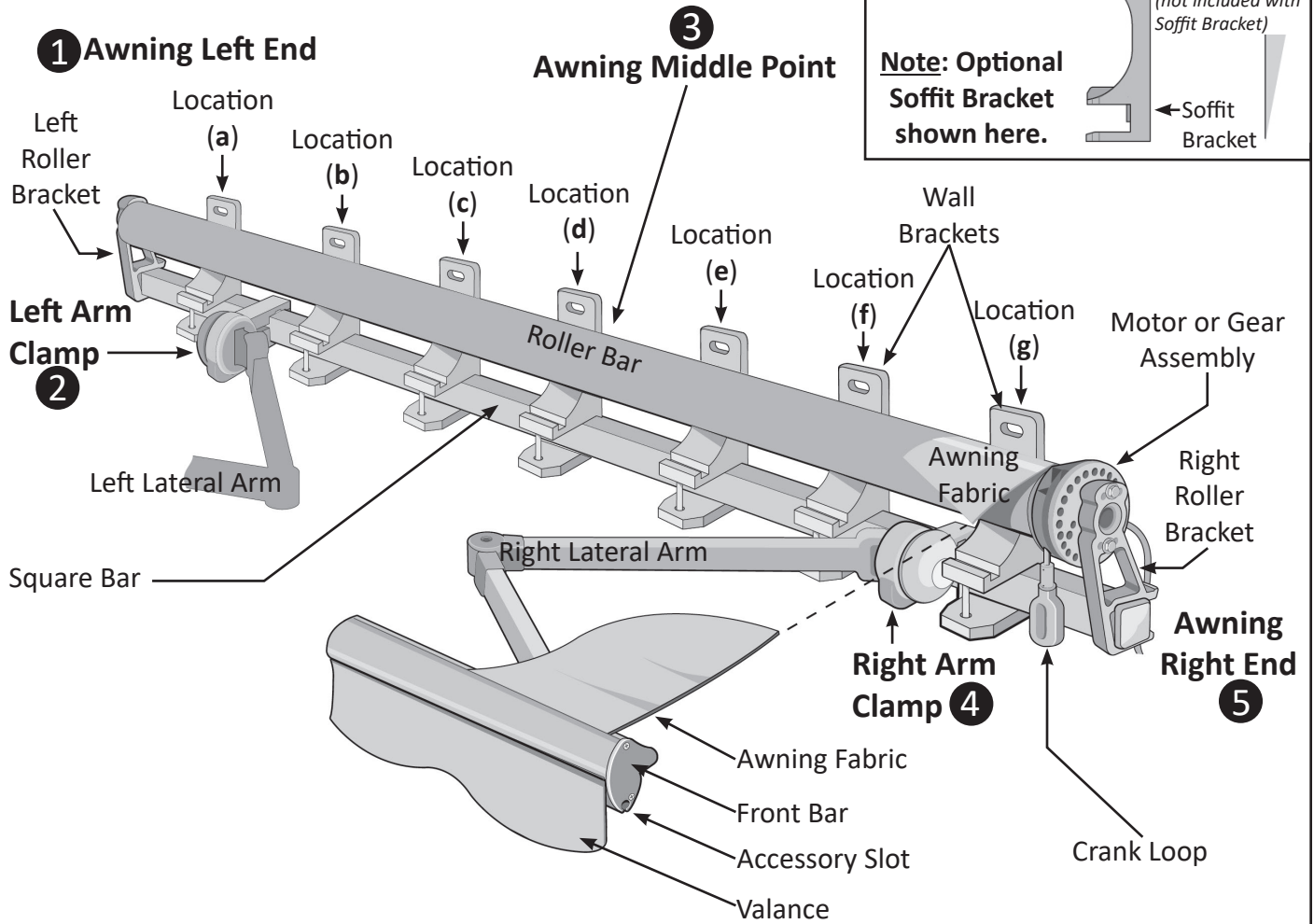
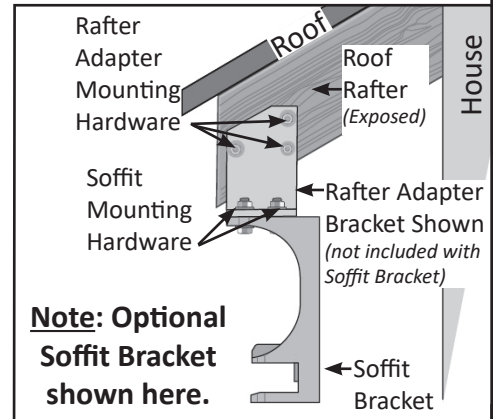


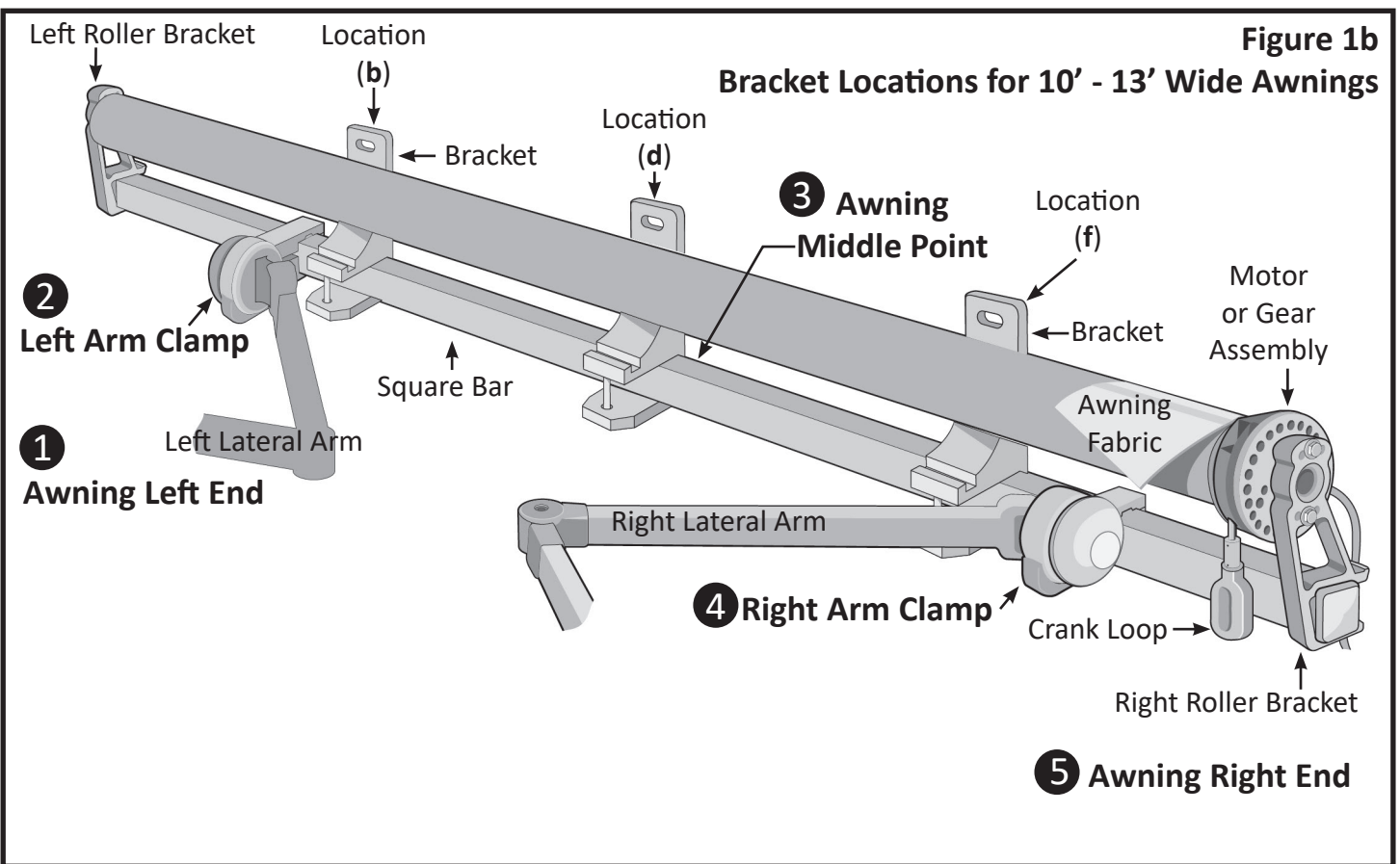
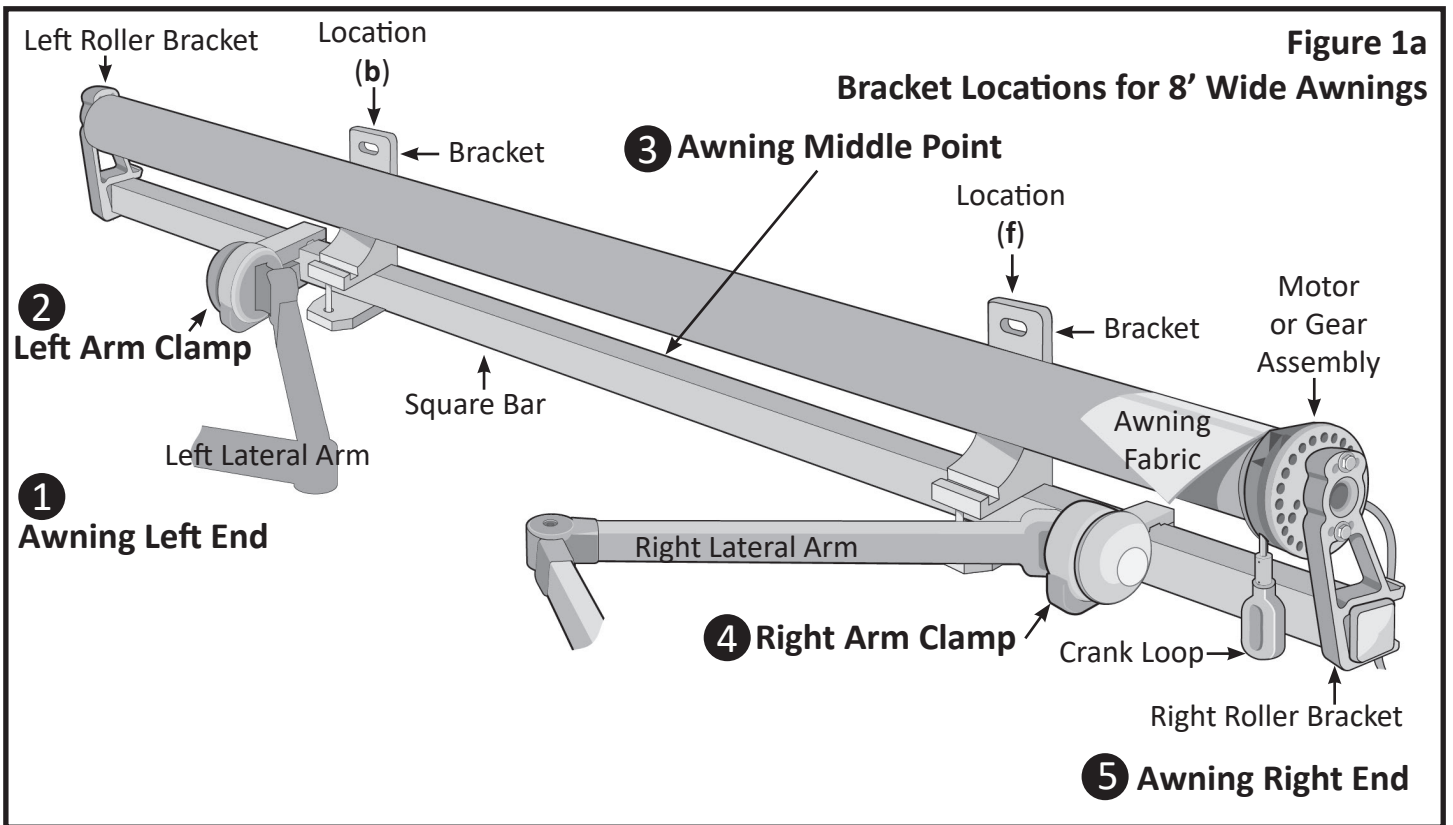
Parts Diagram

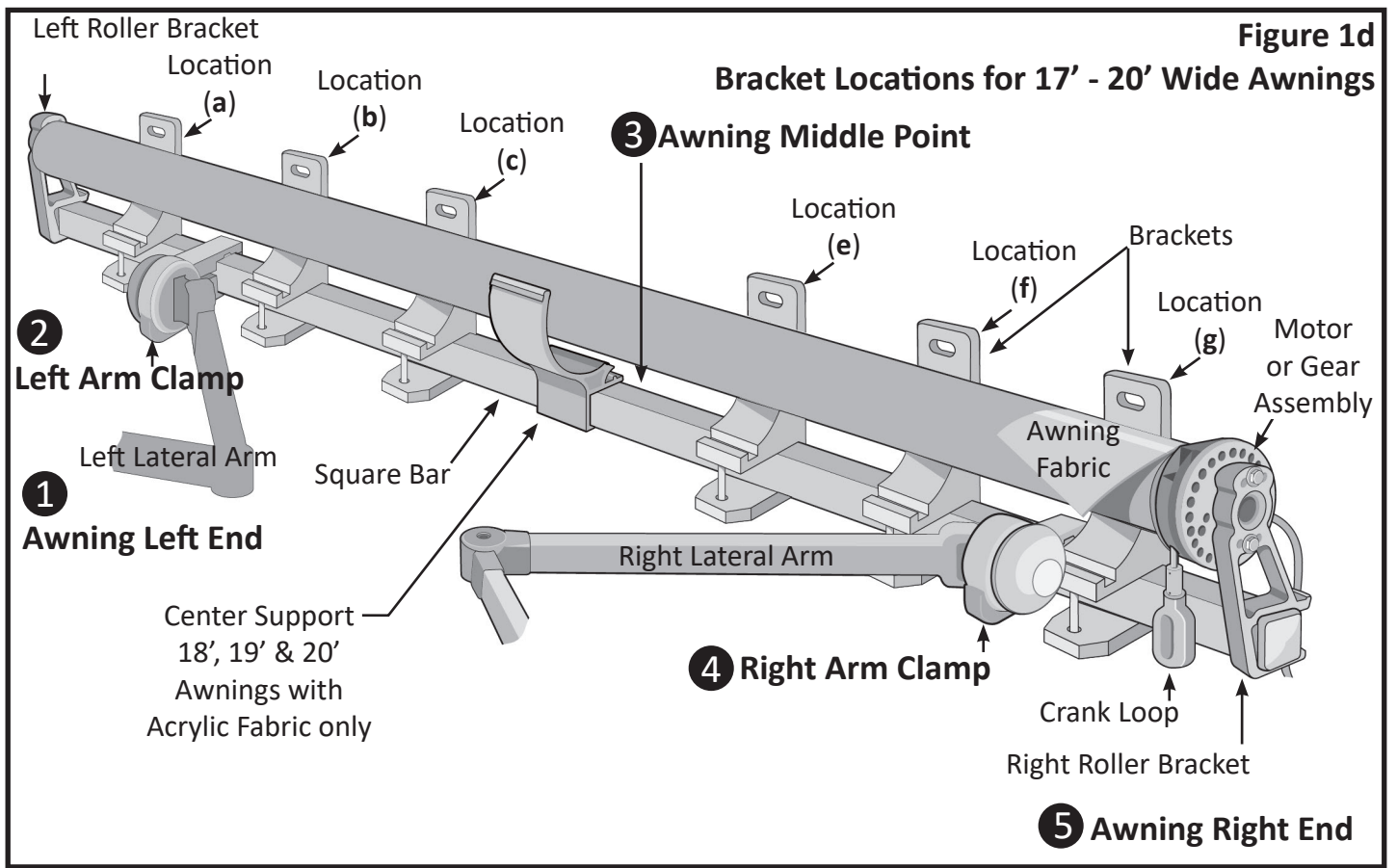
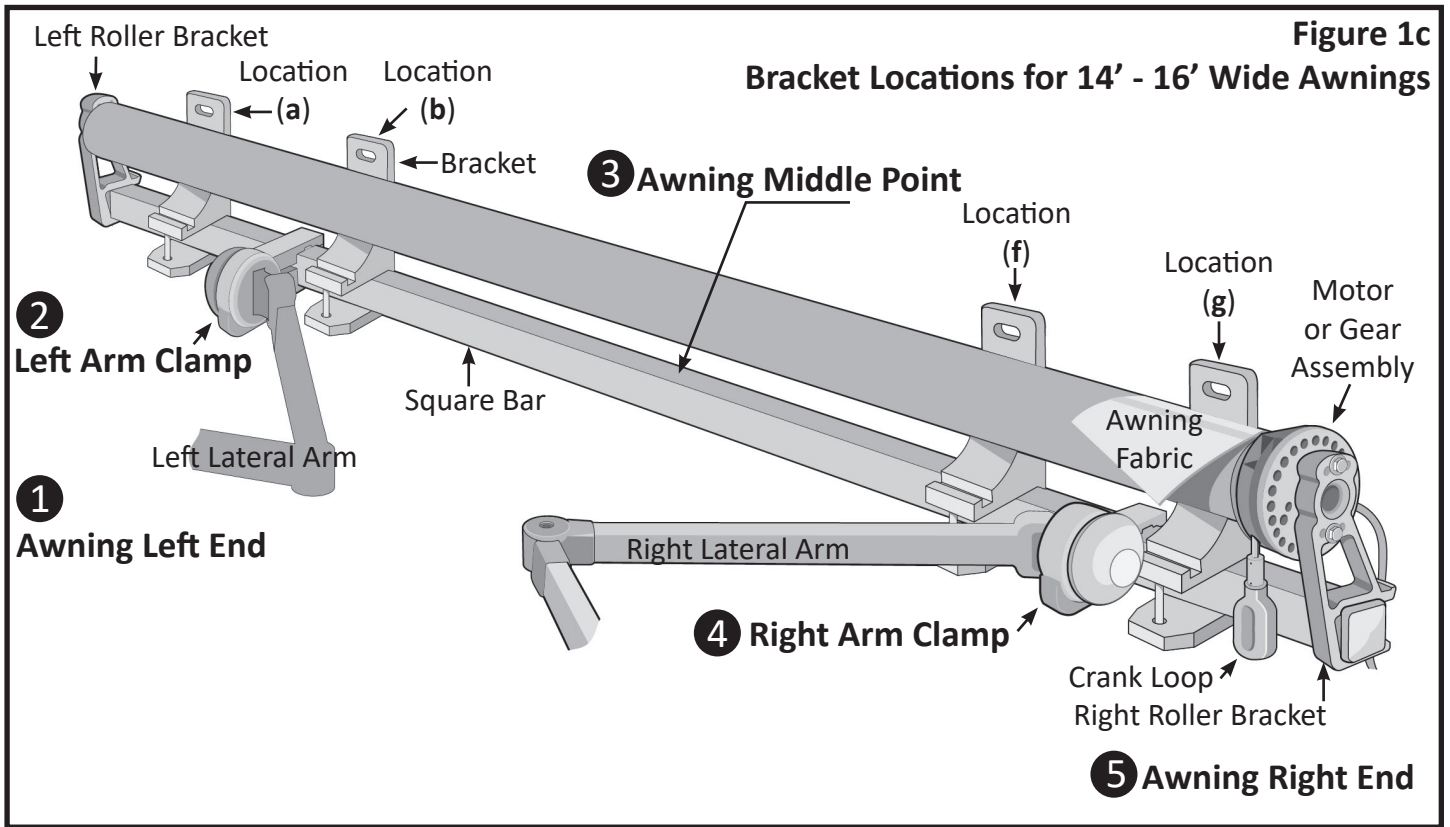
Figure 1

Note: This figure shows Awning with Motor installed on the right side as you face the house.

Note: Number of Brackets supplied with the Awning will vary (minimum of 2, maximum of 6) depending on Awning size. See Parts List on page 4.





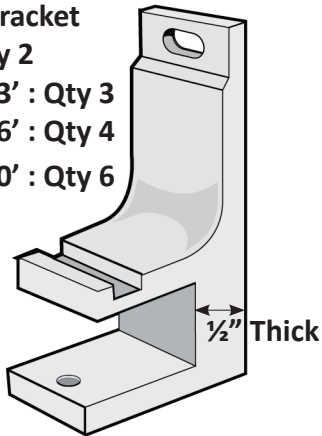


Supplied Fasteners / Parts List

Note: All Awnings ship with one of the following types of Brackets and Mounting Hardware:

Wall Bracket

- 8' : Qty 2
- 10' - 13' : Qty 3
- 14' - 16' : Qty 4
- 17' - 20' : Qty 6

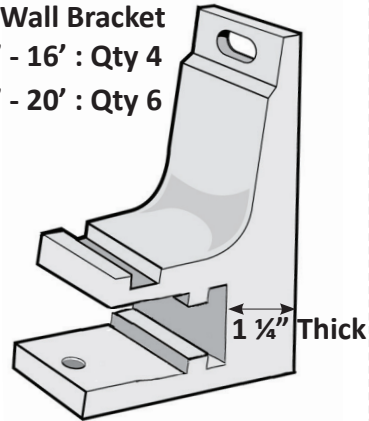


Mounting Hardware Includes:

- Two 4" Lag Screws and Flat Washers for each Wall Bracket
- One Retaining Bolt Set for each Wall Bracket

XL Wall Bracket

- 14' - 16' : Qty 4
- 17' - 20' : Qty 6

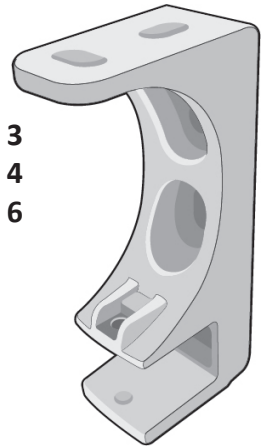


Mounting Hardware Includes:

- One 4" Lag Screw and Flat Washer for each Wall Bracket (use 4" Lag Screw in top Bracket hole)
- One 5" Lag Screw and Flat Washer for each Wall Bracket (use 5" Lag Screw in bottom Bracket hole)
- One Retaining Bolt Set for each Wall Bracket

Soffit Bracket

- 8' : Qty 2
- 10' - 13' : Qty 3
- 14' - 16' : Qty 4
- 17' - 20' : Qty 6

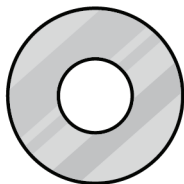


Mounting Hardware Includes:

- Two 4" Lag Screws and Flat Washers for each Soffit Bracket
- One Retaining Bolt Set for each Soffit Bracket

Lag Screws and Flat Washers

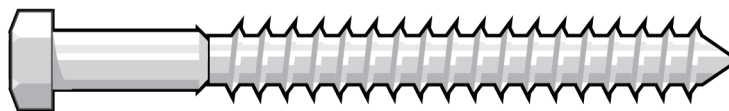
- $\frac{3}{8}$ " Flat Washer
- 8' : Qty 4
- 10'-13' : Qty 6
- 14'-16' : Qty 8
- 17'-20' : Qty 12



$\frac{3}{8}$ " x 4" Lag Screw (for all Brackets)

(Note: For XL Wall Bracket, half the number of 4" Lag Screws are replaced with 5" Lag Screws, as shown below.)

- 8' : Qty 4, 10'-13' : Qty 6, 14'-16' : Qty 8, 17'-20' : Qty 12



$\frac{3}{8}$ " x 5" Lag Screw (for XL Wall Bracket only)

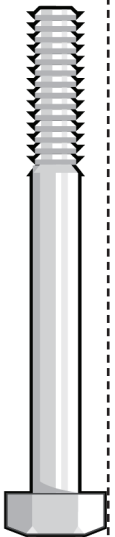
- 14'-16' : Qty 4, 17'-20' : Qty 6



Retaining Bolt Set

- 8' : Qty 2
- 10'-13' : Qty 3
- 14' - 16' : Qty 4
- 17'-20' : Qty 6

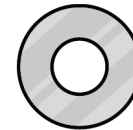
$\frac{5}{16}$ " x 2- $\frac{3}{4}$ " Retaining Hex Bolt



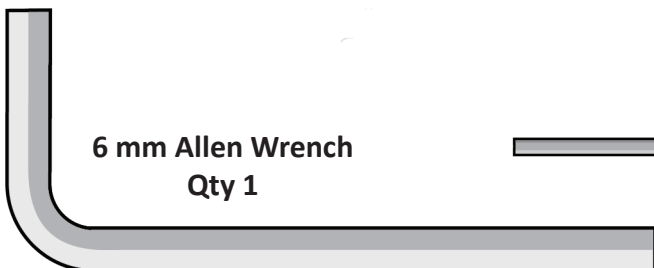
$\frac{5}{16}$ " Retaining Nut



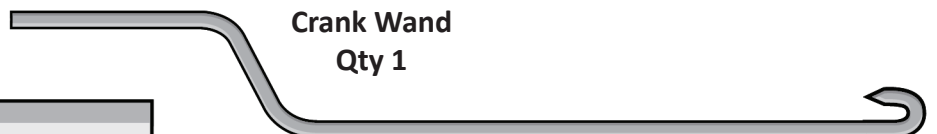
$\frac{5}{16}$ " Flat Washer



6 mm Allen Wrench
Qty 1

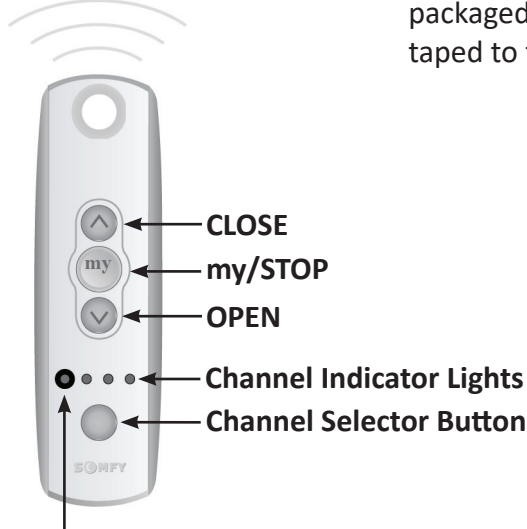


Crank Wand
Qty 1

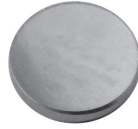


Additional Parts List - Motorized Models Only

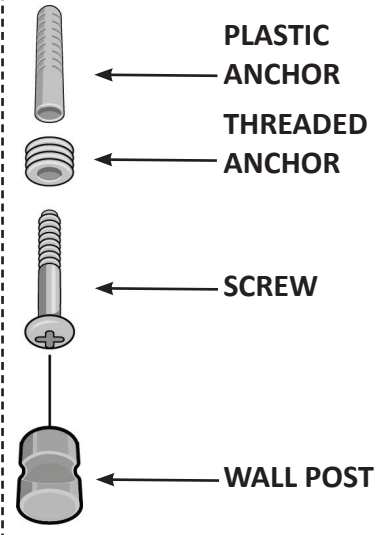
MultiChannel Remote Transmitter, Qty 1



A Spare CR2430 Lithium Battery for the Remote Transmitter is packaged in the clear bubble pack taped to the Motor Power Cord.



Wall Mount for Remote Transmitter, Qty 1



Note: Awning is preset to operate on Channel 1.

- Check the active Channel by briefly pressing the Channel Selector Button. The active Channel Light will blink.
- Change Channel by pressing the Channel Selector Button.
- Press the Channel Selector Button again while the Channel Indicator Light blinks and the next Channel will be selected.

Optional Parts List - Masonry, Brick or Concrete Installations

(available for all models)

3/8" x 6" Masonry Drill Bit, Qty 1 (For Masonry Walls)



- 8' Awning = Qty 4
- 10' - 13' Awning = Qty 6
- 14' - 16' Awning = Qty 8
- 17' - 20' Awning = Qty 12

Note:

For XL Awnings, substitute half of the 4" Masonry Bolts with 5" Masonry Bolts



Other Optional Items Packaged in the Same Tube with your Awning (if purchased with your Awning)

- a. Cover b. Wireless Wind Sensor c. Wireless Wall Switch d. All-Weather Remote