



America's #1 Awning

For Technical Support visit us at ownerscorner.sunsetter.com
or Call Toll Free 800-670-7071 • Fax 877-224-4944

OASIS Roller Cap Round Pin Replacement Instructions

*** Helpers Needed ***

Tools Needed: Hammer or Mallet, vice grips, (2) Two Sawhorses or Chairs, $\frac{3}{16}$ " Socket and Driver, $\frac{3}{16}$ " Wrench.

Parts Supplied: Replacement Roller Cap (with Round Pin) and (4) Four Plastic Safety Sleeves

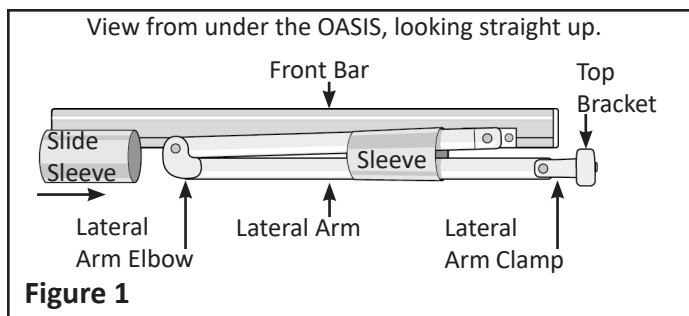
WARNING: FAILURE TO FOLLOW THESE INSTRUCTIONS CAN RESULT IN PERSONAL INJURY!!

PLEASE READ THESE INSTRUCTIONS COMPLETELY BEFORE ATTEMPTING TO PERFORM THIS PROCEDURE.

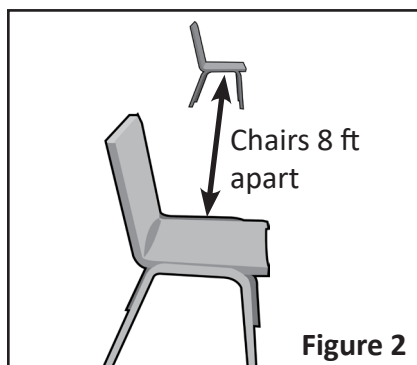
1. Close the Awning to the fully closed position. For Motorized model, unplug the power cord now.

2. **Install Safety Sleeves on each Lateral Arm.** Slide each Sleeve over the Lateral Arm Elbow, toward the Lateral Arm Clamp, until the Sleeve is fully inserted beyond the mid point of each Lateral Arm. See **Figure 1**.

Note: In order to install Safety Sleeves on Lateral Arms when closed, it may be necessary to squeeze or compress the Lateral Arms together to allow the Safety Sleeve(s) to be fully inserted beyond the mid point of each Lateral Arm.



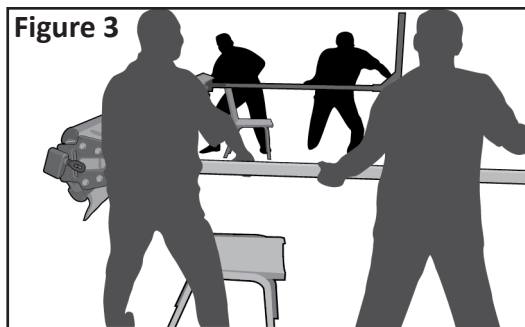
3. Position sawhorses or chairs approximately eight (8) feet apart. See **Figure 2**.



4. One helper should be positioned at each leg assembly to prevent the awning from sliding as the OASIS is tipped over.

5. One helper should be positioned at each end of the OASIS and be able to lift and support the weight of that end of the OASIS.

6. When the helpers are in position, two helpers should carefully tip the OASIS over until it is resting on the two sawhorses or chairs. The other two helpers should stabilize the lower legs to prevent sliding. See **Figure 3**.



Note: The upper assembly of the OASIS Awning should rest on the seat of the chairs or sawhorses. See **Figure 4**.

7. A helper must stabilize the OASIS assembly resting on the chairs or saw horses.

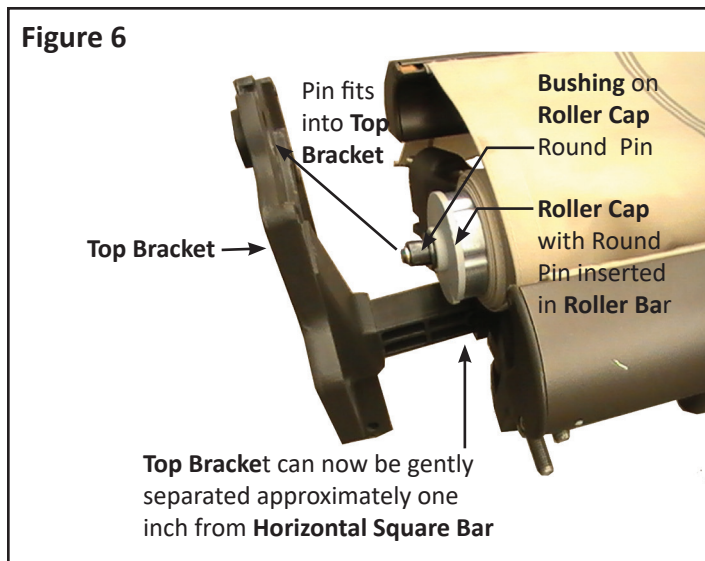
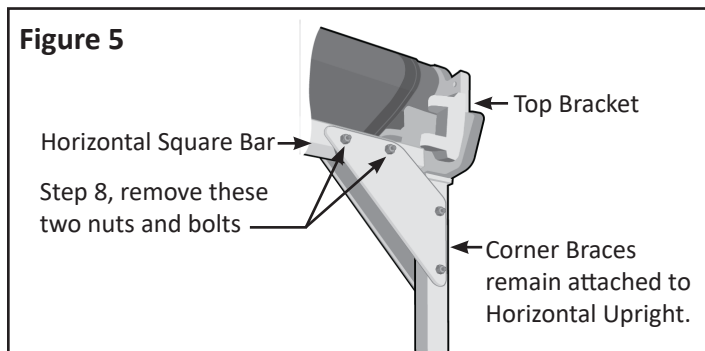


8. On the **end where the Roller Cap is being replaced**, remove the two Nuts and Bolts where the Corner Brace attaches to the Horizontal Square Bar. See **Figure 5**.

WARNING: IN THE NEXT STEP, DO NOT COMPLETELY REMOVE THE TOP BRACKET FROM THE OASIS ASSEMBLY.

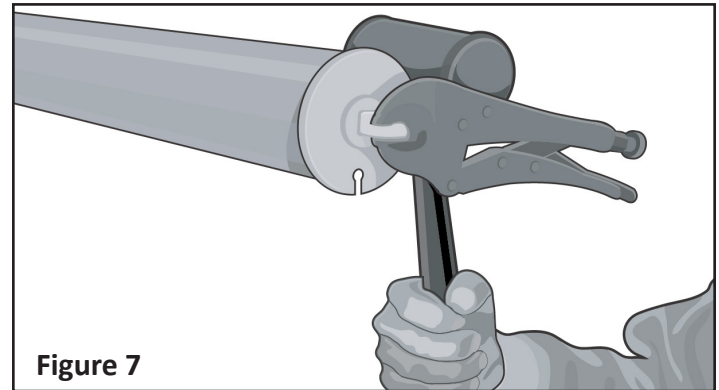
WARNING: ENSURE SAFETY SLEEVES ARE CORRECTLY POSITIONED ON EACH LATERAL ARM AND THE ENTIRE UNIT ON THE CHAIRS OR SAW HORSES ARE SAFELY STABILIZED BY A HELPER.

Note: The Top Bracket can now be separated from the main OASIS Assembly by tapping on it. This will allow the Top Bracket to be partially removed from the Horizontal Square Bar, providing access to replace the Roller Cap. See **Figure 6**.

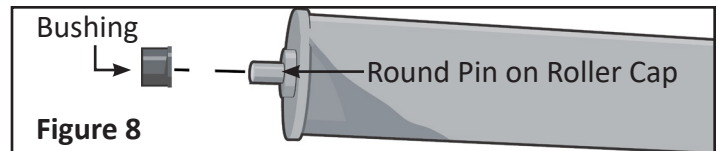


9. Support the Roller Bar while slowly and carefully tapping the Top Bracket away from the Roller Bar Assembly. **DO NOT REMOVE THE TOP BRACKET**. See **Figure 6**. While gently tapping the Top Bracket, move it about **one inch away** from the Roller Bar Assembly, until the Pin on the end of the Roller Bar is free from the Top Bracket. **STOP TAPPING THE END BRACKET NOW**. See **Figure 6**.

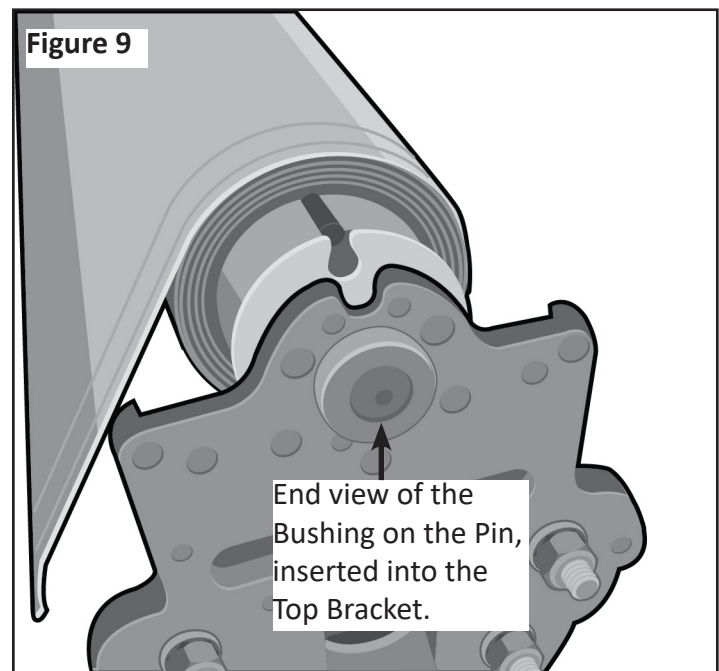
10. Remove the existing Roller Cap and Bushing and replace with the new Roller Cap and Bushing. It may be necessary to use a hammer and vice grips to remove the Roller Cap from the Roller Bar. See **Figure 7**.



Note: Be sure to place the Bushing over the Round Pin of the Roller Cap (see **Figure 8**) before assembly of the OASIS.



11. Align the Pin, with the Bushing on it, so it aligns with the Opening in the Top Bracket. Slowly tap the outer side of the Top Bracket until it slides over the Pin with the Bushing in place, supporting the Roller Bar. See **Figure 9**.



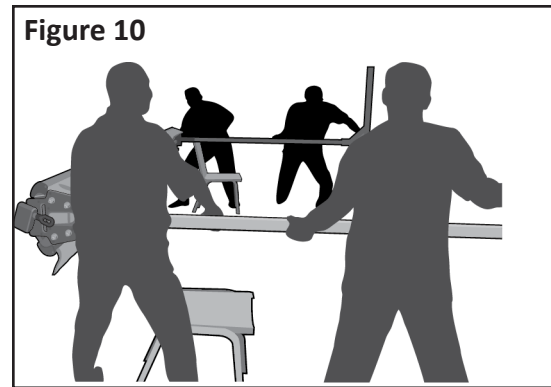
12. Insert the two Bolts back into the two openings in the Corner Brace until the Bolts pass through the Horizontal Square Bar and the Corner Brace on the other side of the Horizontal Square Bar, then attach the Lock Nuts and tighten in place. See **Figure 5**.

13. Securely tighten all hardware used to attach the Square Bar Uprights, Corner Braces, and Horizontal Square Bar to the Top Bracket. Repeat for the other side of the OASIS, ensuring all bolts are in place and tight, before lifting the OASIS to the upright position.

14. Position yourself out of the way of the Awning Front Bars and then remove the Plastic Safety Sleeves from all four (4) Arm Assemblies, one at a time.

Note: You may need to squeeze the Arms together to easily remove Plastic safety Sleeves. Do not use a knife or blade to cut the Safety Sleeves. When removed, do not discard, retain for future use.

15. One helper should be positioned at each Leg Assembly to prevent the Awning from sliding as the unit is placed in the upright position. See **Figure 10**.



16. One person should be positioned at each end of the Awning assembly and be able to support and lift the weight of that end of the Awning. See **Figure 10**.

17. When the helpers are in position, the two people positioned at the ends of the Awning assembly should lift the Awning together and tip the unit until the Awning is upright on the Leg Assemblies. See **Figure 10**.

18. For Motorized model, plug in the power cord.

19. Test the OASIS Awning for proper operation.

This page for your notes.