



Lateral Arm Replacement

MANUAL AND MOTORIZED LATERAL ARM AWNINGS (2017 - PRESENT)

For Technical Support:

[HTTPS://SUPPORT.SUNSETTER.COM](https://support.sunsetter.com)

E-MAIL CONTACTUS@SUNSETTER.COM

CALL TOLL FREE 800-670-7071

WARNING

FAILURE TO FOLLOW THESE INSTRUCTIONS COULD RESULT IN SERIOUS PERSONAL INJURY, INCLUDING DEATH.

PLEASE READ THESE INSTRUCTIONS IN ENTIRITY BEFORE ATTEMPTING TO COMPLETE THIS PROCESS.

Parts Supplied

- Lateral Arm (Left or Right)
- Plastic Safety Sleeves

Tools Needed

- Step Ladder
- 6mm Allen Wrench
- 4mm Allen Wrench
- Towel
- Pencil
- Measuring Tape

1

Prepare Awning

PLEASE NOTE THAT LEFT AND RIGHT REFERENCES ARE AS YOU ARE FACING THE HOUSE.

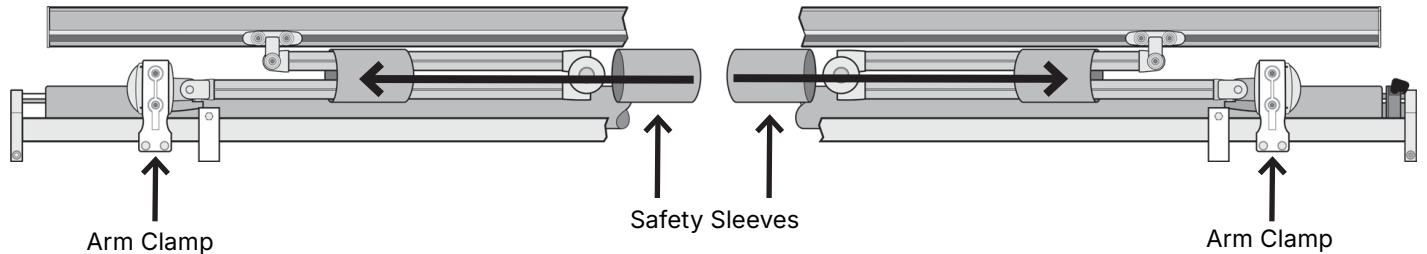


Figure 1

1. Make sure the awning is completely retracted against the house.
2. Unplug the power cord from the power (GFI) outlet, if equipped.
3. **Slide the supplied safety sleeves on both lateral arms, sliding them as far as possible toward the arm clamps (see Figure 1).**

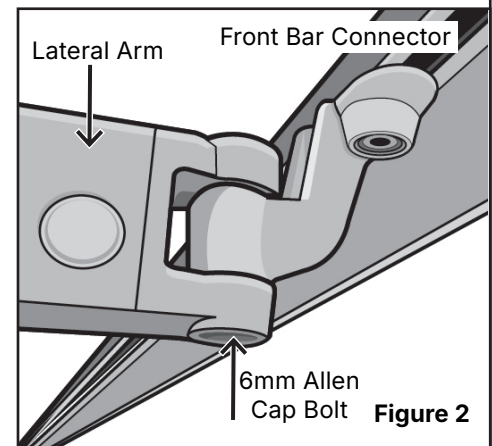
WARNING

FAILURE TO FULLY INSTALL SAFETY SLEEVES CAN RESULT IN PERSONAL INJURY!

2

Separate lateral arm from front bar connector

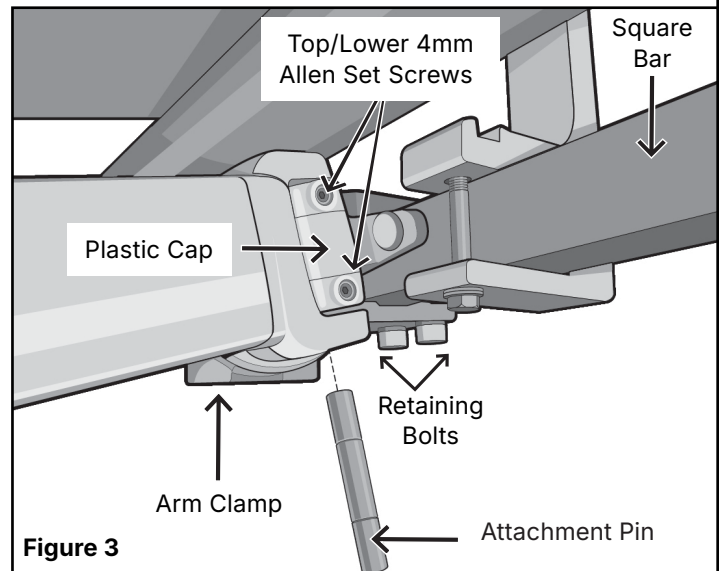
4. On the lateral arm being replaced, remove the 6mm Allen cap bolt and top nut from the front bar connector (see **Figure 2**). Be sure to save the nylon bushings inserted into the front bar connector for reassembly.
5. Separate the front bar from the end of the lateral arm.
6. Place a rolled up towel around the front bar connector and tuck it between the roller bar and wall, to hold the disconnected front bar up and out of the way and to prevent the dangling front bar from scratching the lateral arm. If this step cannot be performed, have a helper hold the front bar while continuing with the following steps. Ensure the front bar connector and front bar do not damage the awning fabric or paint. Touch-up paint is available from SunSetter.



3

Separate lateral arm from arm clamp

7. Swing the lateral arm away from the house and expose the two 4mm Allen set screws (see **Figure 3**).
8. Remove the plastic cap between the set screws.
9. While supporting the balanced weight of the lateral arm in one hand, use a 4mm Allen wrench to loosen (but do not remove) the upper and lower set screws of the arm clamp (see **Figure 3**).
10. Lift the lateral arm to take pressure off the arm clamp, while lowering the attachment pin holding the lateral arm to the arm clamp (see **Figure 3**). Save this pin for installation of the replacement lateral arm.



Tip: Gently shaking the arm can help release pressure from the pin if it does not slide out easily.

11. Separate the lateral arm from the arm clamp and place aside.

4

Attach replacement lateral arm to arm clamp

! NOTICE

ARM CLAMP LOCATIONS MAY HAVE CHANGED!

Use the following Arm Clamp Locations Charts A and B to identify the correct arm clamp locations for your awning size and model.

Failure to use correct arm clamp locations may prevent proper awning operation.

12. Position the lateral arm over the knuckle of the arm clamp and insert the attachment pin.
13. Make sure the attachment pin is centered in the arm clamp, then tighten the lower 4mm Allen set screw (see **Figure 3**).
14. Tighten the upper 4mm Allen set screw all the way, then back off $\frac{3}{4}$ of a turn (see **Figure 3**).
15. Insert the plastic cover between the upper and lower Allen set screws (see **Figure 3**).
16. Swing the lateral arm back towards the house.

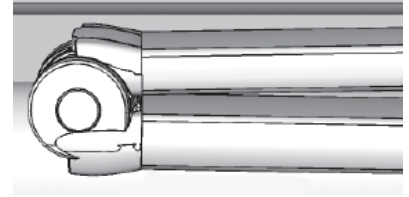
4

Attach replacement lateral arm to arm clamp cont.

Arm Clamp Locations Chart A

Use this chart for lateral arms without Integrated LED Light track:

- 7', 9', and 10'2" projection awnings shipped BEFORE May 5, 2025
- XL 11'8" projection awnings shipped BEFORE February 24, 2025



Arm clamp locations are measured from the end of the square bar to the edge of the arm clamp.
The width of the arm clamp is 2 1/4".

Size	Laminated Fabric	Acrylic Fabric					
	Standard	Standard	XL 11'8"	XL 13'1"	Semi-Cassette	Semi-Cassette XL 11'8"	Semi-Cassette XL 13'1"
8'	3.5" (motor end) 2.75" (idle end)	3.5" (motor end) 2.75" (idle end)	N/A	N/A	N/A	N/A	N/A
10'	3.5" (motor end) 1.25" (idle end)	3.5" (motor end) 1.25" (idle end)	N/A	N/A	N/A	N/A	N/A
11'	7"	7"	N/A	N/A	N/A	N/A	N/A
12'	7"	7"	N/A	N/A	7"	N/A	N/A
13'	13"	13"	N/A	N/A	13"	N/A	N/A
14'	19"	19"	7"	N/A	19"	7"	N/A
15'	25"	25"	11"	4"	25"	11"	5"
16'	31"	24"	19"	9"	24"	19"	10"
17'	37"	24"	24"	14"	24"	24"	16"
18'	43"	24"	24"	19"	24"	24"	20"
19'	N/A	39"	36"	26"	39"	36"	26"
20'	N/A	39"	39"	30"	39"	39"	30"

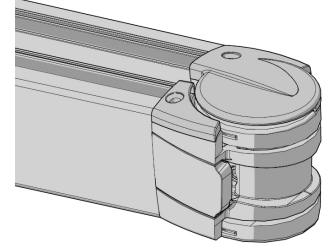
4

Attach replacement lateral arm to arm clamp cont.

Arm Clamp Locations Chart B

Use this chart for lateral arms with Integrated LED Light track:

- 6'9", 9', and 10'1" projection awnings shipped AFTER May 5, 2025
- XL 11'8" projection awnings shipped AFTER February 24, 2025
- XL 13'1" projection awnings (all ship dates)



Arm clamp locations are measured from the end of the square bar to the edge of the arm clamp.
The width of the arm clamp is 2 1/4".

Size	Laminated Fabric	Acrylic Fabric					
	Standard	Standard	XL 11'8"	XL 13'1"	Semi-Cassette	Semi-Cassette XL 11'8"	Semi-Cassette XL 13'1"
8'	3.5" (motor end) 2.75" (idle end)	3.5" (motor end) 2.75" (idle end)	N/A	N/A	N/A	N/A	N/A
10'	3.5" (motor end) 1.25" (idle end)	3.5" (motor end) 1.25" (idle end)	N/A	N/A	N/A	N/A	N/A
11'	5"	5"	N/A	N/A	N/A	N/A	N/A
12'	5"	5"	N/A	N/A	7"	N/A	N/A
13'	11"	11"	N/A	N/A	11"	N/A	N/A
14'	16"	16"	7"	N/A	16"	7"	N/A
15'	19"	19"	11"	3.5"	24"	11"	5"
16'	24"	24"	19"	7"	24"	19"	7"
17'	24"	24"	24"	11"	24"	24"	16"
18'	24"	24"	24"	19"	24"	24"	16"
19'	N/A	36"	36"	24"	36"	36"	24"
20'	N/A	36"	36"	24"	36"	36"	24"

5

Attach lateral arm to front bar connector

17. Make sure the plastic bushings are in place, on the front bar connector, where the retaining bolt passes through the front bar connector and lateral arm.
18. Insert the retaining bolt through the lateral arm and front bar connector. Replace the top nut above the front bar connector. Tighten securely with a 6mm Allen wrench.

6

Test for proper operation

19. Remove plastic safety sleeves from lateral arms.
20. Plug in the power cord, if equipped, then test for proper operation.
21. If the awning's front bar appears uneven while extended, see Appendix A to adjust the awning's pitch.
22. If the closed lateral arm hangs too low or high in comparison to the other, see Appendix B to adjust the angle of the arm.

If the closed lateral arm closes too far (hitting the square bar) or sticks out beyond the valance, see Appendix B to adjust the arm clamp's nylon bumper.

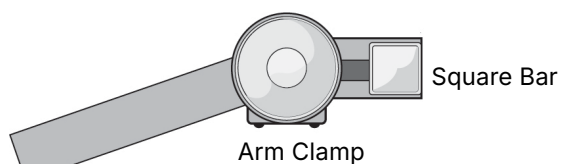


APPENDIX A - Changing the Pitch of Your Awning

Follow these instructions to change the pitch or angle of your awning (see **Figure A**).

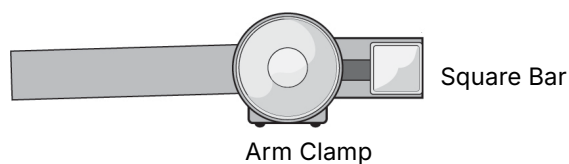
A visual guide is available on <https://support.sunsetter.com>, under "Helpful Videos".

Figure A Pitch is set at the factory so the bottom of the front bar is 29" lower than the top of the fabric on the roller bar.



Lateral Arm, extended at factory set height.

Pitch raised to maximum height.



Lateral Arm, extended at maximum height.

Tools Needed

- 6mm Allen wrench (included with awning)
- large Adjustable Wrench
- Step Ladder(s)
- Helper(s)

Note: Adjust each lateral arm, one at a time, until both are at the desired height and the front bar is level.

Note: Depending on the awning size and model, the weight of the front bar varies. (Example: Wider awnings will have heavier front bars) This will impact how high you can raise the front bar, using the adjustment capabilities of the arm clamps. See Figure D for the pitch channel range. If you reach the maximum adjustment and are still not happy with the height of the front bar, you can shim the wall brackets upward to raise the front bar further. Make sure that all wall brackets are shimmed evenly.



APPENDIX A - Changing the Pitch of Your Awning

RAISING THE FRONT BAR

WARNING

RAISING THE FRONT BAR WILL REDUCE THE PITCH (ANGLE) OF THE FABRIC THUS INCREASING THE RISK OF RAINWATER POOLING ON THE FABRIC. TO PREVENT THE AWNING FROM COLLAPSING DUE TO RAINWATER LOAD, YOU MUST RETRACT THE AWNING WHEN UNATTENDED. FAILURE TO DO SO COULD RESULT IN PERSONAL INJURY.

1. Close the awning.
2. Have your helper slightly lift the front bar close to the front bar connector, to remove pressure on the arm clamp.
3. Remove the plastic cover from the arm clamp. Remove by hand, no tools required (see **Figure C**).
4. Using an adjustable wrench, tighten the large lock nut in the arm clamp for safety (see **Figure D**).
5. Release the front bar and stand to the side of the awning.
6. Open the awning.
7. Loosen the large lock nut in the arm clamp, not more than one quarter turn (see **Figure D**).
8. Slightly lift the front bar (close to the front bar connector) to remove pressure on the arm clamp, then loosen Set Screw #1 until the front bar is above the desired height. See **Figure D** to see the channel in the arm clamp showing high and low range of pitch.
9. While holding the front bar above the desired height, tighten Set Screw #2.
Note: Setting the front bar above the desired height allows room for settling when you release the front bar.
10. Release the front bar and tighten Set Screw #1.
11. Check height. Adjust as necessary, then go to step 12.
12. The front bar should be level. If not, adjust the height of either arm, according to the steps, above.
13. Slightly lift the front bar (close to the front bar connector) to remove pressure on the arm clamp.
14. Tighten the large lock nut in the arm clamps (see **Figure D**).
15. Release the front bar and check for level. If tilted, adjust the height of either arm, according to the steps above.
16. Push the front bar down. If it moves from the desired height, repeat the steps above.
17. Replace the plastic cover to the arm clamp. Align the plastic guides, press by hand (see **Figure C**).

Note: Depending on adjustments, the Open/Close stop limits may need adjusting to correct fabric sagging. Follow Appendix A of your awning's owner's manual to change these settings.



APPENDIX A - Changing the Pitch of Your Awning

LOWERING THE FRONT BAR

1. Close the awning.
2. Have your helper slightly lift the front bar close to the front bar connector, to remove pressure on the arm clamp.
3. Remove the plastic cover from the arm clamp. Remove by hand, no tools required (see **Figure C**).
4. Using an adjustable wrench, tighten the large lock nut in the arm clamp for safety (see **Figure D**).
5. Release the front bar and stand to the side of the awning.
6. Open the awning.
7. Loosen the large lock nut in the arm clamp, not more than one quarter turn (see **Figure D**).
8. Slightly lift the front bar (close to the front bar connector) to remove pressure on the arm clamp, then loosen Set Screw #2 until the front bar can be lowered to reach the desired height. See **Figure D** to see the channel in the arm clamp showing high and low range of pitch.
9. Release the front bar.
10. Tighten Set Screw #1.
11. Check height. Adjust as necessary, then go to step 12.
12. The front bar should be level. If not, adjust the height of either arm, according to the steps, above.
13. Slightly lift the front bar (close to the front bar connector) to remove pressure on the arm clamp.
14. Tighten the large lock nut in the arm clamps (see **Figure D**).
15. Release the front bar and check for level. If tilted, adjust the height of either arm, according to the steps above.
16. Push the front bar down. If it moves from the desired height, repeat the steps above.
17. Replace the plastic cover to the arm clamp. Align the plastic guides, press by hand (see **Figure C**).

Note: Depending on adjustments, the Open/Close position stops may need to be adjusted to correct any sagging that may occur to the fabric. Follow the procedures in Appendix A of your awning's owner's manual to change these settings.



APPENDIX A (cont.) - Changing the Pitch of Your Awning

Figure B

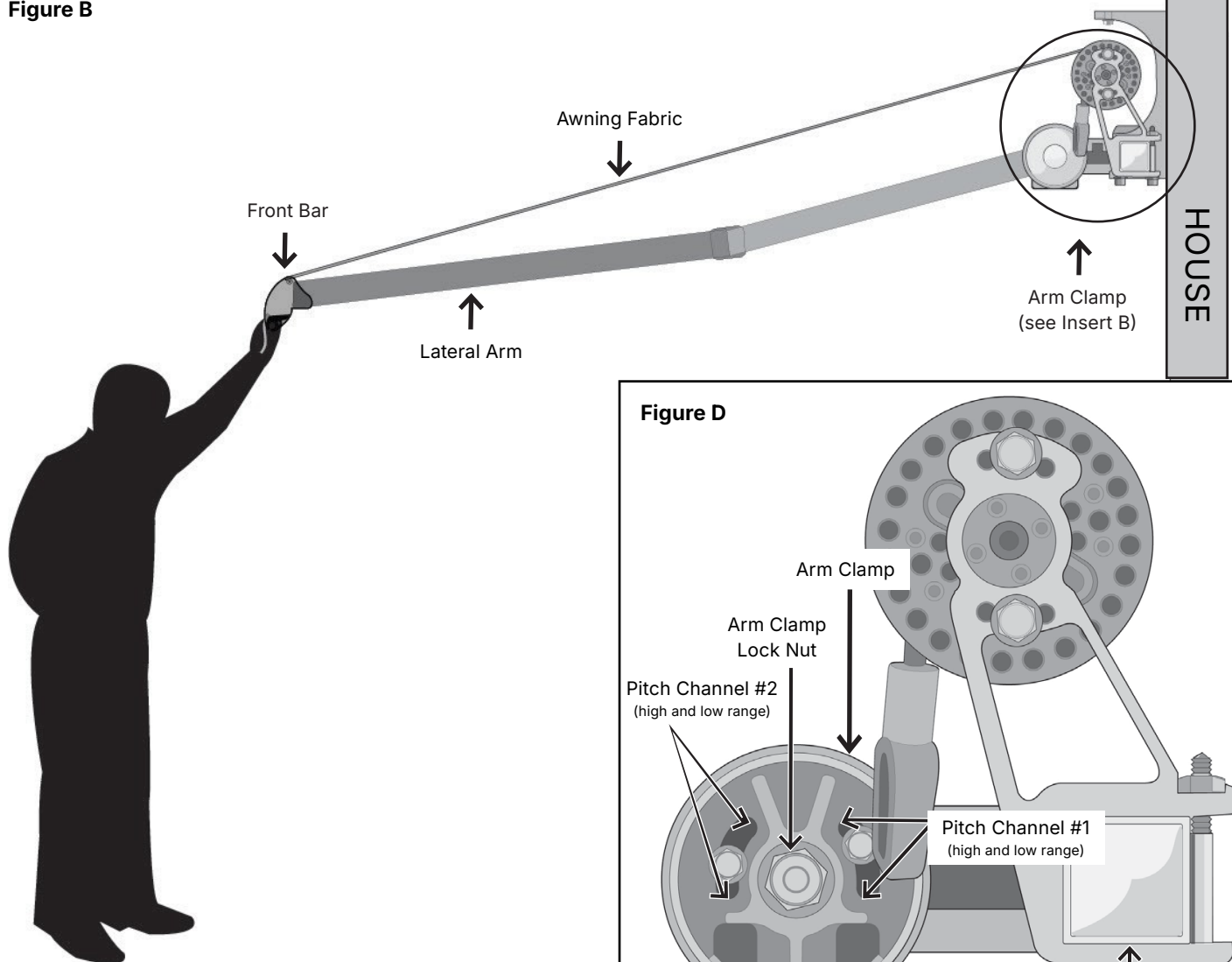


Figure D

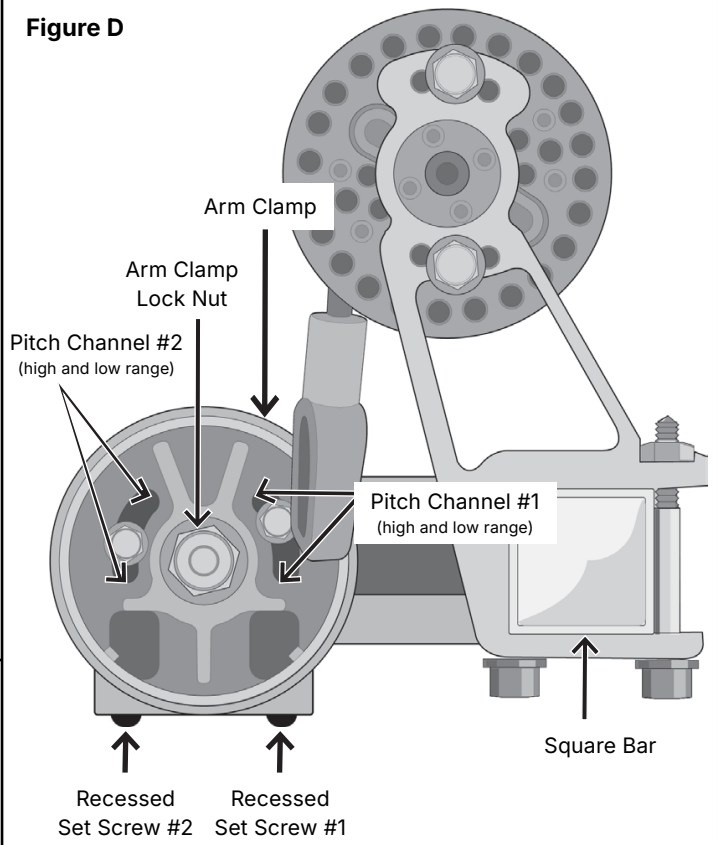
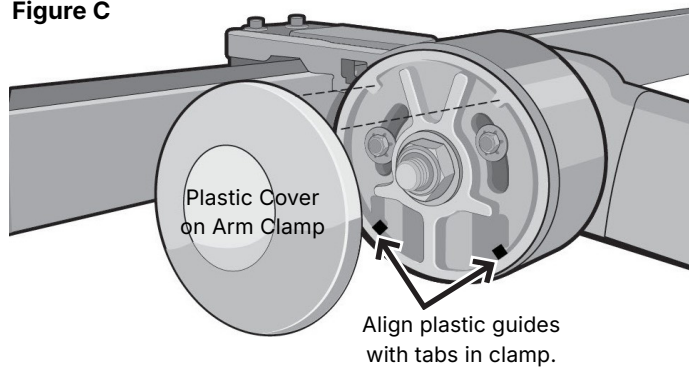


Figure C



Note: The high and low range of pitch can be viewed in Pitch Channel #1 and #2, as shown above.

CAUTION: Do not attempt to raise the pitch beyond the physical limits observed in Pitch Channel #1 and #2, as shown above. Doing so could damage the arm clamp.



APPENDIX B - Lateral Arm Adjustments

VERTICAL ADJUSTMENT

The vertical height of each closed lateral arm, at the elbow (see **Figure E**), can be slightly adjusted with the **top** 4mm Allen set screw of each arm clamp (see **Figure F**).

To **raise** the height, **tighten** the **top** Allen screw.

To **lower** the height, **loosen** the **top** Allen screw. This adjustment allows about 2 inches of travel, up or down.

WARNING

DO NOT ADJUST THE LOWER 4MM ALLEN SET SCREW, AS THIS SCREW HOLDS THE ATTACHMENT PIN IN PLACE.

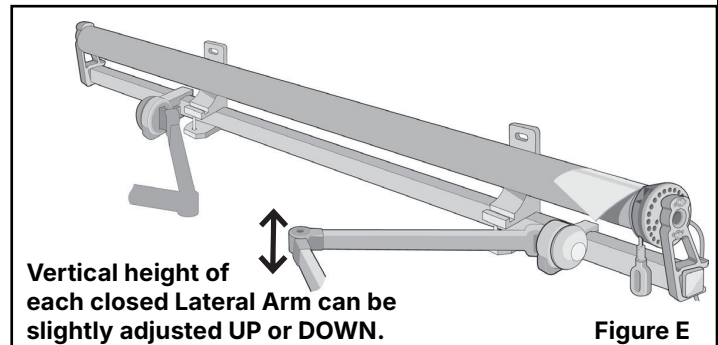


Figure E

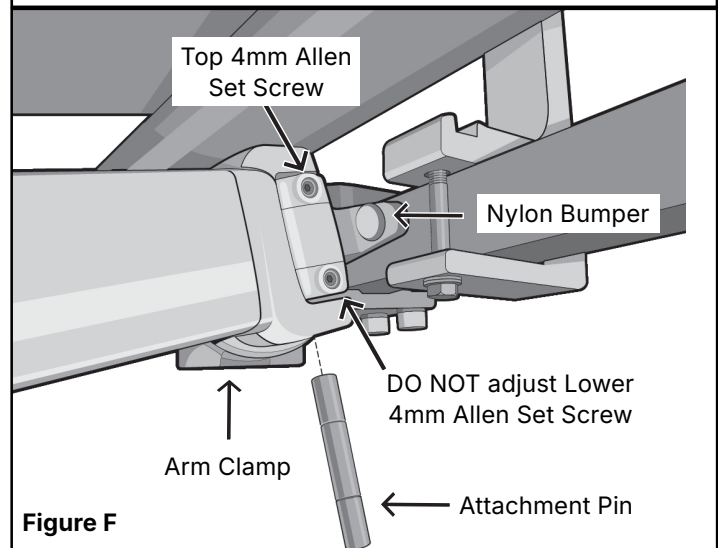


Figure F



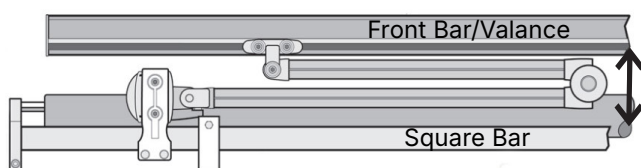
APPENDIX B - Lateral Arm Adjustments

HORIZONTAL ADJUSTMENT

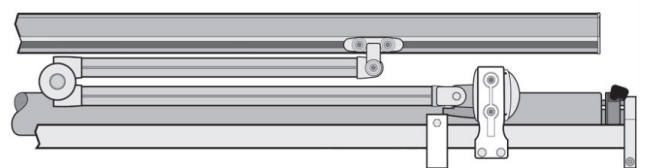
If the lateral arm closes too far in, towards the house, or sticks out beyond the front bar/valance while closed, adjust the arm clamp's nylon bumper (see **Figure F**).

To allow the closed arm to come **IN** towards the house, turn the bumper **clockwise**.

To push the closed arm **OUT** away from the house, turn the bumper **counter-clockwise**.



House



Horizontal position of each closed lateral arm can be slightly adjusted IN, towards the house, or OUT, away from the house.

Figure G

Thank you for choosing SunSetter.