



RETRACTABLE AWNINGS

For Technical Support visit us at www.sunsetter.com/ownerscorner or Call Toll Free
800-670-7071 • Fax 877-224-4944

Outer and Inner Arm With Rafter Set Replacement 900XT and 1000XT Awning

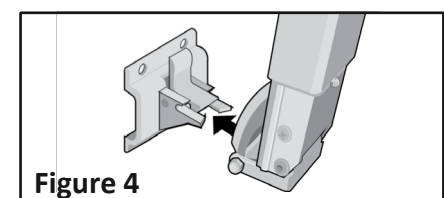
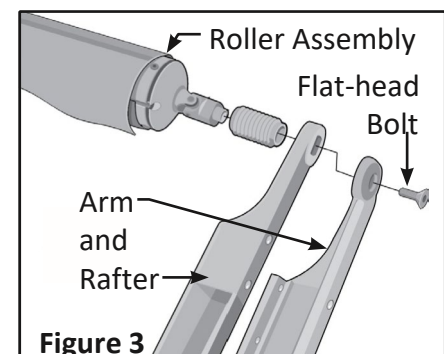
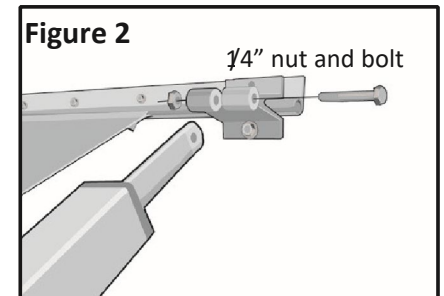
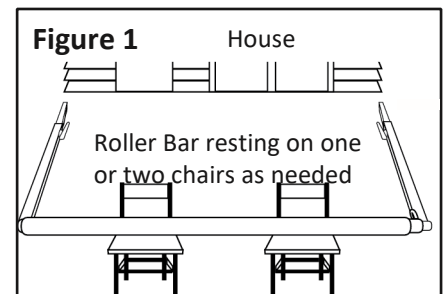
Tools Needed: 7/16" wrench, 7/16" socket and ratchet, 7/32" Allen wrench, & flat screwdriver.

Parts Supplied: Outer/Inner Arm (Left or Right), Rafter Set (Left or Right)

WARNING: FAILURE TO FOLLOW THESE INSTRUCTIONS CAN RESULT IN PERSONAL INJURY!! PLEASE READ THESE INSTRUCTIONS IN ITS ENTIRETY BEFORE ATTEMPTING TO COMPLETE THIS PROCESS.

PLEASE NOTE THAT LEFT AND RIGHT REFERENCES ARE AS YOU ARE FACING THE HOUSE.

- Using the Hand Crank Wand, unroll the Awning until the Fabric is completely extended. Do not lock the Rafters. Place a chair or box under the Roller Bar for support. See **Figure 1**.
Note: If Arms and or Rafters on BOTH sides are to be replaced, more than one chair or box should be used to evenly and safely support the Roller Bar. See **Figure 1**.
Note: Take notice of the positioning of the Drive Unit and Crank Loop. See **Figure 5**.
- On the side needing replacement, remove the 1/4" nut and bolt that secures the Rafter End to the Upper Bracket. See **Figure 2**
- Carefully fold the Rafter set on top of the Arm.
- Using a 7/32" Allen wrench, remove the Flat-head Cap Bolt that secures the Arm and Rafter to the Roller Assembly. See **Figure 3**.
- Separate the Roller from the end of the Rafter and Arm. See **Figure 3**.
Note: If you are replacing the Right Rafter Set, make sure that the Drive Unit is oriented so that the Crank Loop is pointing towards the HOUSE. See **Figure 4**.
- Remove the old Rafter Set from the Awning and replace with the new Rafter Set.
- Unlatch the bottom of the Arm from the Wall Bracket on the house. See **Figure 4**.



8. Transfer the extra Acorn Nut Stop from the old Inner Arm to the new Inner Arm and tighten with a 7/16" wrench. See **Figure 5**.

9. Latch the bottom of the replacement Arm into the Wall Bracket on the house. See **Figure 4**.

Note: If you are replacing the right hardware, make sure to orient the Drive Unit so that the Crank Loop is pointing towards the HOUSE. See **Figures 6 and 6a**.

10. Assemble the ends of the Rafter and Arm to the Roller and secure with the Flat-head Cap Bolt. Tighten with a 7/32" Allen wrench. See **Figure 3**.

11. Secure the Rafter End to the Upper Bracket with the 1/4" bolt and nut, and tighten with a 7/16" wrench and 7/16" socket. See **Figure 2**.

12. Test the Awning for proper operation.

