

SunSetter®

America's #1 Awning

For Technical Support visit us at ownerscorner.sunsetter.com
or Call Toll Free 800-670-7071 • Fax 877-224-4944

Drive Unit Replacement - Model 900XT /1000XT

Tools Needed: Small nail or punch, hammer, 3/32" Allen wrench, flat screwdriver, Phillips screwdriver.

Parts Supplied: Drive Unit (see Figure 1), (6) Phillips screws (#8 x 5/8"), (3) Plastic Screw Anchors (3 legged, 1/2" square head anchors).



WARNING: FAILURE TO FOLLOW THESE INSTRUCTIONS CAN RESULT IN PERSONAL INJURY!! PLEASE READ THESE INSTRUCTIONS IN ITS ENTIRETY BEFORE ATTEMPTING TO COMPLETE THIS PROCESS.

PLEASE NOTE THAT LEFT AND RIGHT REFERENCES ARE AS YOU ARE FACING THE HOUSE.

1. Using the hand crank, **unroll the Awning until the Fabric is completely extended.** Do not lock the rafters. Place a chair or box under the Roller Bar for support.

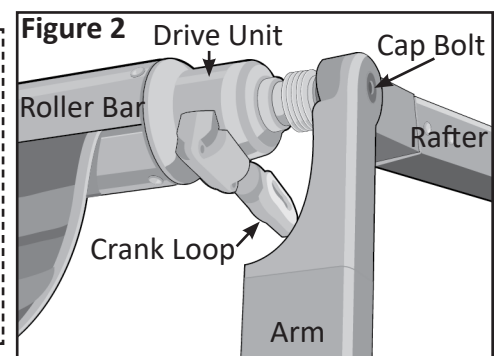
If your Roller Bar has 3 Phillips screws that secure the Drive Unit to the Roller Bar, complete steps 2a thru 4a.

If your Roller Bar has Drive Rivets that secure the Drive Unit to the Roller Bar, complete steps 2b thru 5b.

2a. Remove the 3 Phillips screws from the right end of the Roller Bar, and pull the Drive Unit out of the Roller Bar.

3a. Using a 3/32" Allen wrench, remove the flat-head Cap Bolt that secures the Arm and Rafter to the Roller Bar. See **Figure 2.**

4a. Note that the Crank Loop (see **Figure 2**) is pointing towards the house. Separate the Drive Unit from the ends of the Rafter and Arm. Go to **Step 6** at this point.



2b. On the right end, using a small nail or punch, drive the centers of the three rivets all the way thru into the Roller Bar.

3b. Pry the rivets out of the holes with a flat screwdriver and remove the Drive Unit from the Roller Bar. Remove the rivet centers from inside the Roller Bar or they will rattle when you operate the Awning.

4b. Using a 3/32" Allen wrench, remove the flat-head Cap Bolt that secures the Arm and Rafter to the Roller Bar. See **Figure 2.**

5b. Note that the Crank Loop (see **Figure 2**) is pointing towards the house. Separate the Drive Unit from the ends of the Rafter and Arm.

6. Insert the new Drive Unit into the Roller Bar. Secure by installing the supplied Phillips screws into the three holes on the end of the Roller Bar.

7. Using a Phillips screwdriver, remove the Crank Loop from the old Drive Unit and install on the new Drive Unit.

8. On the right end, **orient the Drive Unit so that the Crank Loop is pointing towards the HOUSE**. Assemble the ends of the Rafter and Arm to the Roller Bar and secure with the flat-head cap bolt. Tighten with a $\frac{7}{32}$ " Allen wrench.

9. Check the opposite side of the Roller Bar.

IF THE LEFT ROLLER INSERT IS SECURED TO THE ROLLER WITH 3 DRIVE RIVETS (See Figure 3), YOU MUST FOLLOW STEP 10 AND REPLACE THE RIVETS WITH THE 3 PHILLIPS SCREWS AND PLASTIC ANCHORS SUPPLIED! If the left Roller Bar Insert is secured to the Roller Bar with 3 Phillips screws, go to **step 11**.

WARNING: FAILURE TO REPLACE THE 3 DRIVE RIVETS ON THE LEFT SIDE OF THE ROLLER CAN RESULT IN PERSONAL INJURY!

10. Replacing the Drive Rivets on the left side of the Roller Unit. See Figure 3.

A - Make sure that the Fabric is completely extended. Do not lock the Rafters. Place a chair or box under the Roller Bar for support.

B - On the left side of the Roller Bar, using a small nail or punch, drive the centers of the three rivets all the way thru into the Roller Bar. Pry the rivets out of the holes with a flat screwdriver.

C - Pull the left Roller Bar Insert out of the Roller Bar.

Remove the rivet centers from inside the Roller Bar or they will rattle when you operate the Awning.

D - On the Roller Bar Insert, locate the three holes close to the end and snap the 3 plastic Screw Anchors supplied into the holes from the outside.

CAUTION: Be sure that the screw anchors are pressed firmly into the holes.

E - Insert the Roller Bar Insert back into the Roller Bar. Secure by installing the supplied Phillips screws into the three holes on the end of the Roller Bar.

11. Test the Awning for proper operation.

