



RETRACTABLE AWNINGS

For Technical Support visit us at www.sunsetter.com/ownerscorner
or Call Toll Free 800-670-7071 • Fax 877-224-4944

Fabric Replacement For Model 900XT & 1000XT only *Helper Needed*

Tools Needed: Phillips screwdriver, $\frac{3}{8}$ " socket & driver, $\frac{7}{16}$ " wrench, scissors.

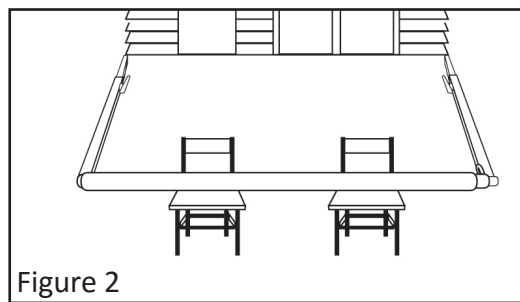
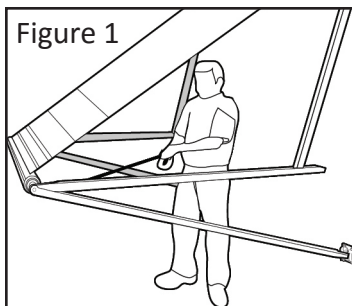
Parts Supplied: Fabric and valance, $\frac{5}{64}$ " Allen wrench.

WARNING: FAILURE TO FOLLOW THESE INSTRUCTIONS CAN RESULT IN PERSONAL INJURY!! PLEASE READ THESE INSTRUCTIONS IN ITS ENTIRETY BEFORE ATTEMPTING TO COMPLETE THIS PROCESS.

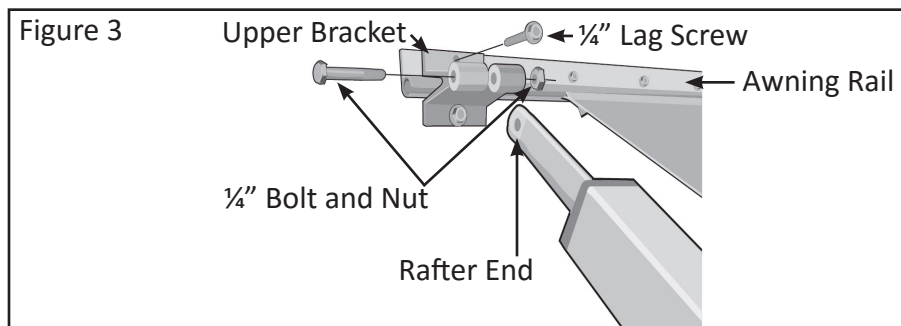
Note: The Model 900XT & 1000XT Awnings use a hand Crank Wand to unroll the Awning.

Note: Left and Right references are as you face the house.

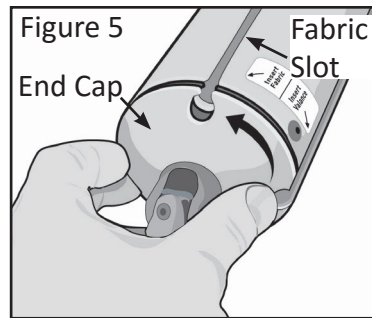
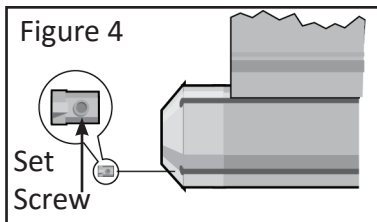
1. Using the hand Crank Wand, unroll the Awning until the Fabric is completely extended (see **Figure 1**). Do not lock the Rafters. Place a chair or box under the Roller Bar for support. See **Figure 2**.



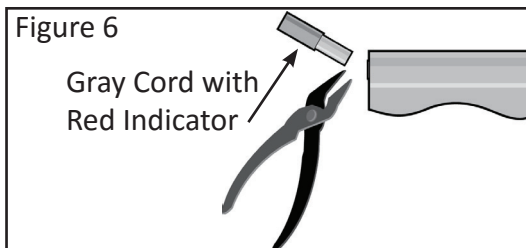
2. On the left side, remove the $\frac{1}{4}$ " Bolt and Nut that secures the Rafter End to the Upper Bracket. See **Figure 3**.



3. Carefully fold the Rafter section inside the open channel of the Arm.
4. Remove the two $\frac{1}{4}$ " Lag Screws that secure the Upper Bracket to the house. See **Figure 3**.
5. Using a Phillips screwdriver, remove the small screw that goes through the Awning Rail and into the Cord of the installed Fabric. This screw is typically installed $1\frac{1}{2}$ " from the left end. This must be removed to release the Fabric so it will slide out of the Awning Rail.
6. Using the supplied $\frac{5}{64}$ " Allen wrench, remove the two Fabric Stops in the Fabric and Valance slots on the left side of the Roller Bar (see **Figure 4**). You will need to rotate the left End Cap (see **Figure 5**) to align with each slot to remove the Fabric Stops separately.



7. Rotate the left End Cap to align with the Fabric Slot (see **Figure 5**). With your helper, slide the Fabric off the Roller Bar and Awning Rail at the same time. Rotate the left End Cap to align with the Valance Slot and then slide the Valance out of the Roller Bar.
8. On the new Fabric, locate the Gray Cord with the Red Indicator. Cut this Cord flush to the end of the Fabric. See **Figure 6**.
9. Rotate the left End Cap to align with the Fabric Slot. See **Figure 5**.
10. Insert the cut end of the Cord into the Fabric Slot on the Roller Bar and the other end of the Fabric into the Awning Rail. Be sure that the hem of the Fabric is facing down. Slide the Fabric onto the Roller Bar and Awning Rail at the same time until approximately 6" is still extending out of the Roller Bar on the left side.
11. Trim the Gray Cord flush to the end of the Fabric (see **Figure 6**). Slide the Fabric the rest of the way into the Roller Bar until it stops at the other end.



12. On the new Valance, locate the Gray Cord on the right end (the hem should be facing down). Cut this Cord flush to the right end of the Valance. See **Figure 6**.
13. Rotate the left End Cap to align with the Valance slot. See **Figure 5**. Insert this Cord into the Valance Slot on the Roller Bar and slide it on until approximately 6" is still extending out of the Roller Bar on the left side.
14. Trim the Gray Cord flush to the end of the Valance. See **Figure 6**. Slide the Valance the rest of the way into the Roller Bar until it stops on the other end.
15. Insert the Fabric Stops, with the large flat ends toward the Gray Cord, into the Fabric and Valance Slots until they rest on the edges of the Fabric (see **Figure 4**). Tighten the Fabric Stops with the supplied Allen wrench.
16. Reattach the left Upper Bracket to the house with the two Lag Screws. See **Figure 3**.
17. Secure the left Rafter End to the Upper Bracket with the 1/4" bolt and nut and tighten with a 7/16" wrench. See **Figure 3**.
18. Center the Fabric in the Awning Rail. Secure the Fabric in the Awning Rail with the small screw that you removed in **Step 5**.
19. Test the Awning for proper operation.