

SunSetter®

RETRACTABLE AWNINGS

For Technical support visit us at www.sunsetter.com/ownerscorner
or call Toll Free 800-670-7071 • Fax 877-224-4944

FLOOR MOUNT KIT INSTALLATION INSTRUCTIONS

TOOLS NEEDED: Electric drill, Phillips screwdriver, center punch, hammer, pencil, 1/8" & 1/4" Drill bits, 7/16" wrench, small file.

For wood decks: 3/16" & 5/8" drill bits.

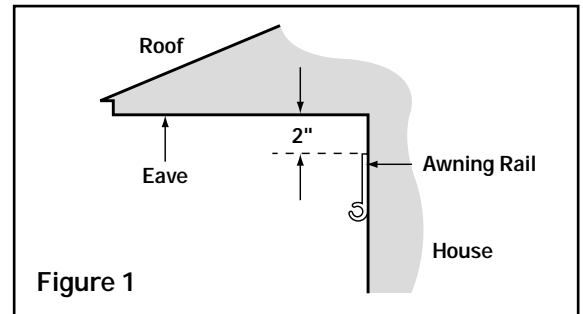
For masonry patios: 5/16" & 5/8" masonry drill bits.

PARTS ENCLOSED: (2) deck plates, (4) #14 x 1-1/4" Phillips screws, (4) 1-1/2" plastic anchors.

WARNING: Failure to wear safety glasses or to follow the instructions below can result in PERSONAL INJURY!

PLEASE NOTE THAT LEFT AND RIGHT REFERENCES ARE AS YOU ARE FACING THE HOUSE.

Complete Steps 1 thru 8 on the SunSetter awning installation instructions. On step 9 of the SunSetter installation instructions, the awning rail should be mounted 2" below an eave or any obstruction (See Figure 1). This is necessary as you may need the additional clearance while using the Floor Mount Feature. After determining your desired mounting height, complete steps 9 thru 23 of the SunSetter Awning installation instructions and then complete the steps listed below.



CAUTION: BE CAREFUL NOT TO ALLOW THE AWNING TO FALL DURING THESE STEPS

Step 1. Attach a deck plate onto the end of the ground bracket and secure with the ground bracket handle- see figure 2a and 2b. Make sure that hole 'C' in the deck plate is positioned away from the house- see figure 3.

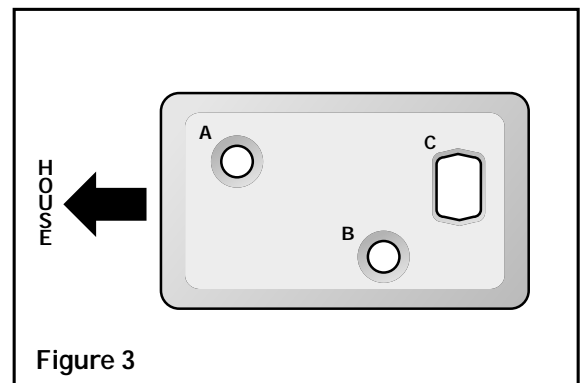
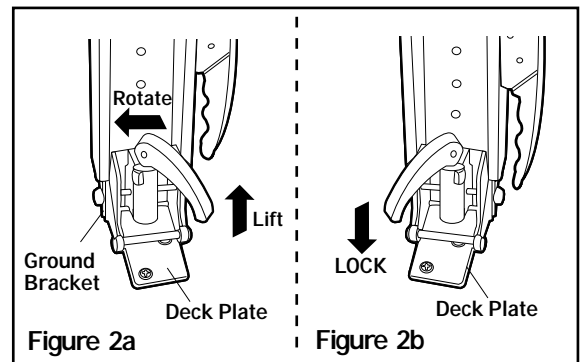
Step 2. Operate the lift handle and extend the inner arm until the attached deck plate contacts the deck or patio surface.

Step 3. Position the arm so that the ground bracket is directly below the upper bracket and plumb the arm left to right and front to back. NOTE: IF THE UPPER BRACKETS ARE INSTALLED ON THE WALL, POSITION THE GROUND BRACKET AS CLOSE TO THE WALL AS POSSIBLE AND PLUMB THE ARM LEFT TO RIGHT. Mark the center of holes A and B (Figure 3) with a small punch or pencil. (A thin marker may work better for masonry applications). Mark the same locations for the other side. Move the arms out of the way and have your helper secure them.

Step 4. FOR WOOD DECKS: Drill 3/16" pilot holes, at points A and B, 1-1/2" deep for each of the two mounting screws on each plate (Figure 3).

FOR MASONRY PATIOS: Drill 5/16" pilot holes at points A and B, 1-1/2" deep for each of the two #14 plastic anchors (Figure 3). Install the anchors with a hammer being careful not to collapse the anchors.

Step 5. Remove the deck plate from bottom of the arm. Place the deck plate over the holes that you just drilled and align them with holes A and B in the deck plate. Mark the center of hole C and remove the deck plate. Repeat this step for the other side.



Step 6. Drill a clearance hole (one per plate) at point C, 3/8" deep using a 5/8" drill bit. Make sure to clean out the holes.

Step 7. Place the deck plates over the mounting holes and install the plates with the supplied #14 stainless mounting screws. Place the ground brackets on the deck plates and secure them together using the ground bracket handles.

Step 8. Be sure that the latch on the lift handle is fully engaged in a square hole inside of the inner arm- see figure 4. If not, raise the arm slightly so the latch engages in the next hole. You may need to unroll the fabric slightly if you cannot raise the arm easily. The lift handle will retract back towards the outer arm without assistance when the latch is fully engaged in a square hole. **Do not force the handle closed as this will cause damage to the lift handle assembly.** Figure 5a shows a correctly engaged lift handle. Figure 5b shows a lift handle that is engaged incorrectly.

Step 9. Make sure that both inner arms are extended the same amount from the outer arm. Adjust the arms, if needed.

Step 10. Determine how you will use the arms on your awning.

- Proceed to step 11a if you will be using the awning with either one or both support arms in the vertical position.
- Proceed to step 11b if you will be using both support arms in the angled position.

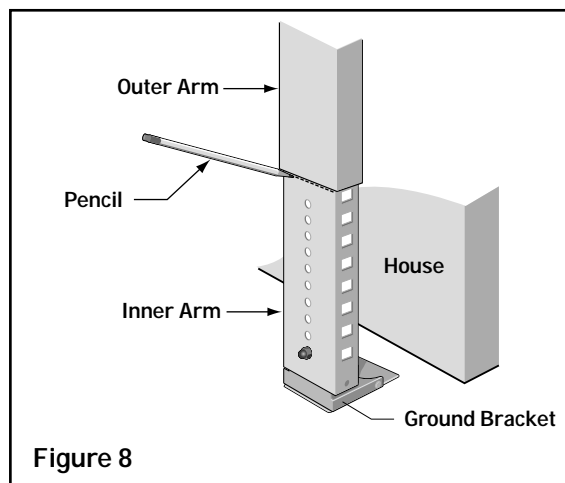
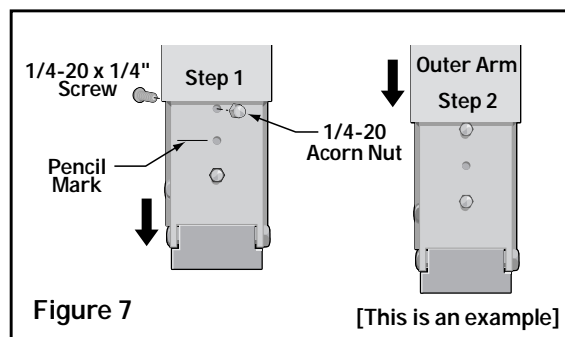
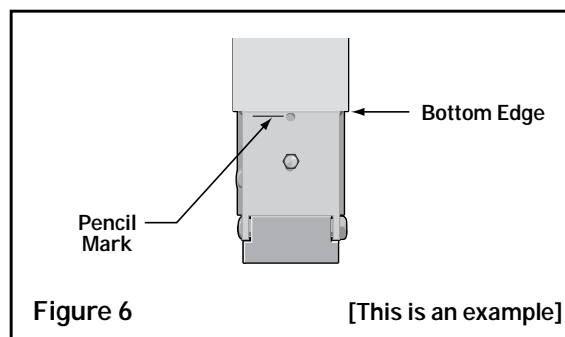
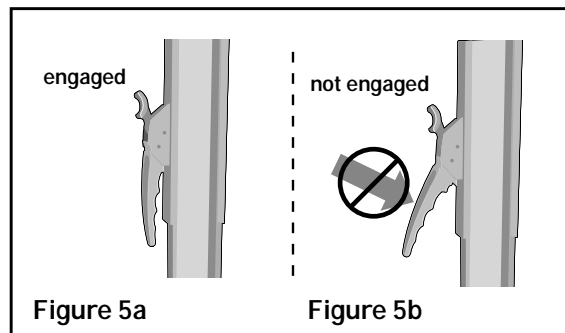
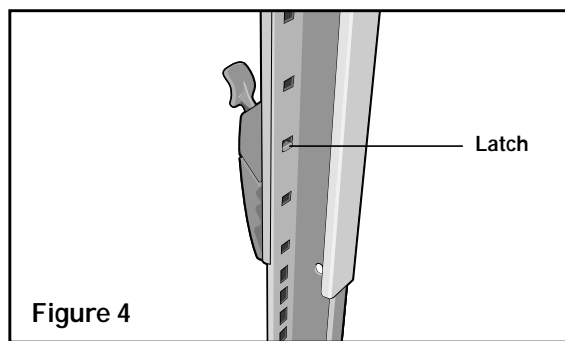
Step 11a. FOLLOW THIS STEP IF YOU WILL BE USING THE ARMS IN THE PATIO (VERTICAL) POSITION. On the inside of the inner arm, locate the hole that the lift handle latch is currently engaged in. Make a mark next to this hole. This is necessary so that you will close the awning at the same location each time. Repeat this step for the other arm. Skip to step 16.

Step 11b. FOLLOW THIS STEP IF YOU WILL NOT BE USING THE ARMS IN THE PATIO (VERTICAL) POSITION. Look at the front of the inner arm. There should be a round hole either right below or right behind the bottom edge of the outer arm- see figure 6. If there is, continue with this step. If there is not a hole in the location explained above, skip to step 12 now. With a pencil, make a mark next to the round hole that is either below or right behind the bottom edge of the outer arm -see figure 6. Operate the lift handle and extend the inner arm about 2" so that you have access to the back of the arm (figure 7, step 1). On the next hole above the hole that you marked with the pencil, place an extra 1/4-20 x 1/4" screw supplied through the round hole from the back of the arm (figure 7, step 1). Attach an extra acorn nut supplied to the front of the inner arm and tighten with a 7/16" wrench. Lower the arm to the new acorn nut stop (figure 7, step 2). Repeat these steps for the other arm. Skip to step 16.

Step 12. If there is no round hole right below or right behind the bottom edge of the outer arm, you must drill a hole for the acorn nut stop on the front of the inner arm. Please follow the steps listed below.

Step 13. Make sure the ground bracket is sitting flat on the deck or patio surface. Using a pencil, draw a horizontal line on the face of the inner arm as shown in figure 8. At the center of the inner arm, draw a small vertical line that intersects with the horizontal line. This is the hole location for the acorn nut stop.

Step 14. Detach the ground bracket from the deck plate using the ground bracket handle. Operate the lift handle and slowly extend the inner arm approximately 4".



Step 15. Center punch the location for the acorn nut stop from step 13. Drill a 1/8" pilot hole, then enlarge to 1/4". Deburr the hole if needed. From the back of the arm, place the 1/4-20 x 1/4" screw through the hole that you drilled. Attach the acorn nut to the front of the inner arm and tighten with a 7/16" wrench (see figure 7, step 1). Operate the lift handle and raise the inner arm to the acorn nut stop. Reattach the ground bracket to the deck plate. Repeat this step for the other arm.

Step 16. Using a Phillips screwdriver, remove the two short screws on each inner arm- see figure 9. Repeat for the other arm.

Step 17. Continue with Step 28 of the Sunsetter awning installation instructions.

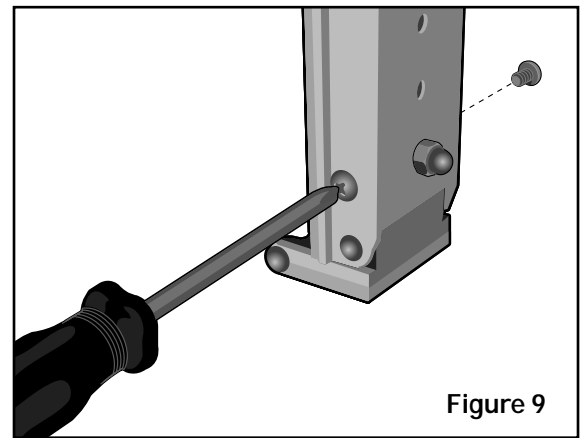


Figure 9

**IF YOU WILL MOVE THE ARMS TO THE PATIO (VERTICAL) POSITION USING THE FLOOR MOUNT FEATURE,
CALL 1-800-876-2340 TO PURCHASE ANOTHER SET OF DECK PLATES.**

- Fully open the awning according to your operating instructions.
- Unlock the ground brackets from the deck plates using the ground bracket handle (see Figure 10).
- Move the arm to the patio (vertical) position.
- Place the bottom of the arm over the deck plate that you installed away from the house. Secure the arm to the deck plate by lifting the ground bracket handle and rotate it clock-wise approximately 1/4 turn until it locks.
- To move the arms back to the deck plates closer to the house, reverse the above procedure.

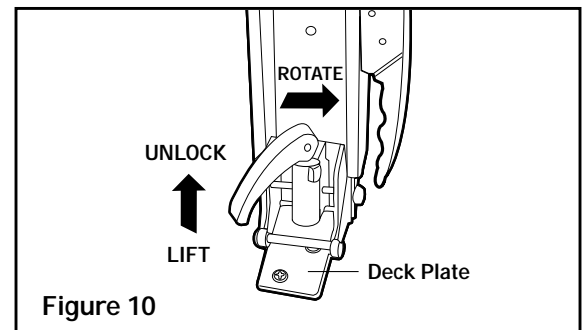


Figure 10

CAUTION: USE CARE WHEN MOVING THE ARMS BACK TO THE DECK PLATE CLOSER TO THE HOUSE.

