



For Technical support visit us at [www.sunsetter.com/ownerscorner](http://www.sunsetter.com/ownerscorner)  
or call Toll Free 800-670-7071 • Fax 877-224-4944

## Installation Options for Overhang or Low Eaves for Model 900XT and 1000XT

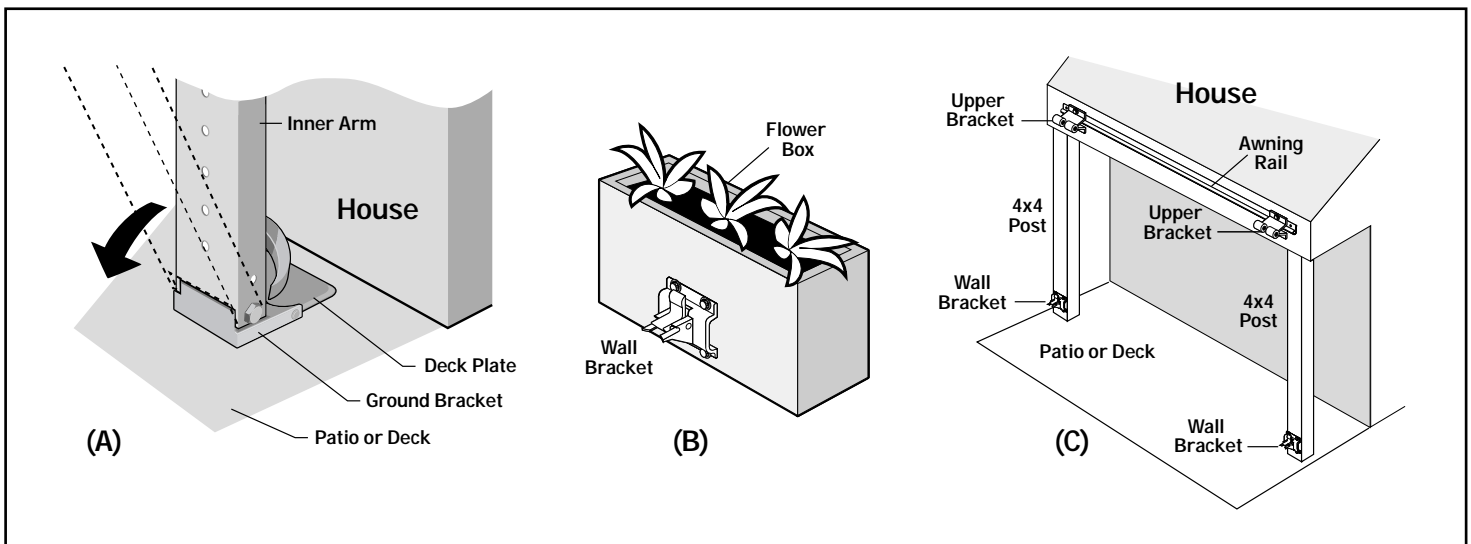
**Minimum mounting height is 6' 8" (80") for Model 900XT and 7' (84") for Model 1000XT**

If there is not enough clearance under an overhang, the awning can be mounted to the face of the overhang. The following are some low overhang mounting techniques, as well as options for mounting on the front or underside of a deep overhang.

Using the methods shown in Figure 1 through 3 may require you to relocate the wall brackets as well. The wall brackets are normally placed in the same vertical plane as the awning rail and upper brackets. If the awning rail and upper brackets are more than 12" away from the house, the wall brackets must be adjusted away from the house as well. The wall brackets must be attached to a vertical plane (not horizontal) as shown in figures B and C. If no vertical plane is incorporated, you should use the Floor Mount feature of the ground bracket. Refer to Appendix A in the printed installation booklet for further instructions on how to use the Floor Mount feature as shown in Figure A.

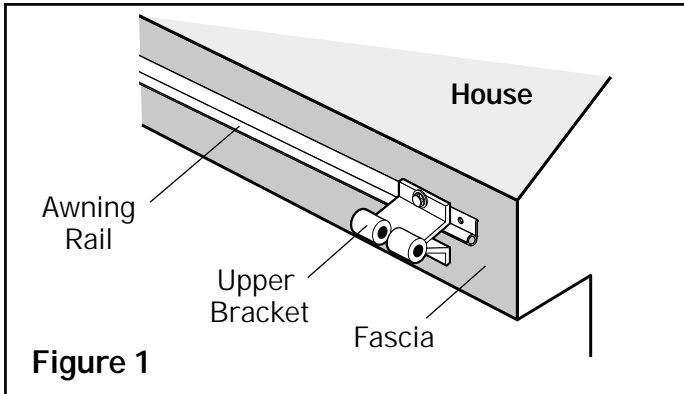
### Floor Mount / Wall Bracket Options

The hardware can be mounted to the deck or patio (A), using the Floor Mount feature, utilizing the supplied Deck Plates. Flower boxes (B) and benches can also be used to mount the wall brackets. Vertical posts can be mounted between the deck or patio and the underside of the overhang (C).

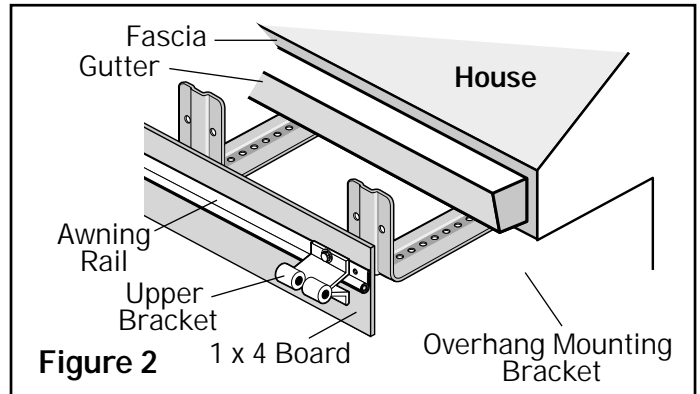


## Upper Bracket /Overhang Mounting Options

**OPTION 1-**Mounting the awning rail and upper brackets to the fascia board. With a 1 x 4" fascia board, the awning can be mounted as in the instructions that come with the awning. (See Figure 1)



**OPTION 2-** With a gutter on the fascia and no room for the awning rail or upper brackets, a board can be mounted in front of the gutter using our Overhang Mounting Brackets secured to the rafters under the overhang. The number of brackets, which can be purchased separately, will vary according to the width of the awning. (See Figure 2)



**WARNING: THE OVERHANG MOUNTING BRACKETS MUST BE SECURELY FASTENED TO THE RAFTERS AND POSITIONED EVENLY ALONG THE BOARD.**

**OPTION 3-** The awning can be mounted under an overhang if desired. A predetermined set of Overhang Brackets, depending on the size of the awning, must be purchased separately. A board must be secured to the overhang so that the awning is in the desired location. Remember to mount the wall brackets accordingly as noted in the Floor Mount / Wall Bracket Options section.

**WARNING: THE OVERHANG MOUNTING BRACKETS MUST BE SECURELY FASTENED TO THE RAFTERS AND POSITIONED EVENLY ALONG THE BOARD.**

