



For Technical Support visit us at support.sunsetter.com,
e-mail contactus@sunsetter.com, or Call Toll Free 800-670-7071

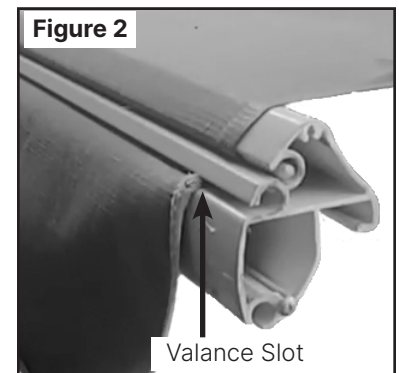
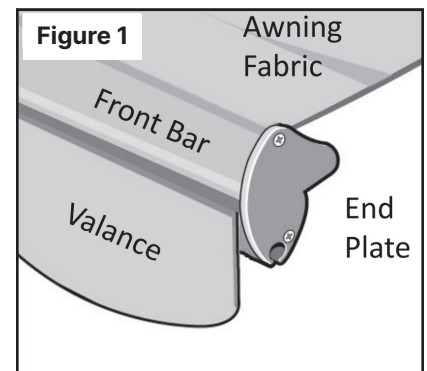
Valance Removal and Replacement For Manual, Motorized, Pro, Oasis, and XT Awnings

Manual and Motorized Lateral Awnings

Tools Needed: Phillips Screwdriver, Scissors

Parts Supplied: Replacement Valance(s)

1. Open the Awning to the full projection.
2. For motorized, unplug the Awning to prevent unexpected movement of the motor.
3. Remove the End Cap on the Front Bar.
 - Remove the two Phillips screws from the End Cap. (See **Figure 1**)
4. Slide the old Valance out of the Valance Slot and insert the new one. (See **Figure 2**)
5. Center the new Valance on the Front Bar.
6. Trim the gray cord.
7. Replace the End Cap on the Front Bar.
8. For Motorized, plug the Awning in and close it.

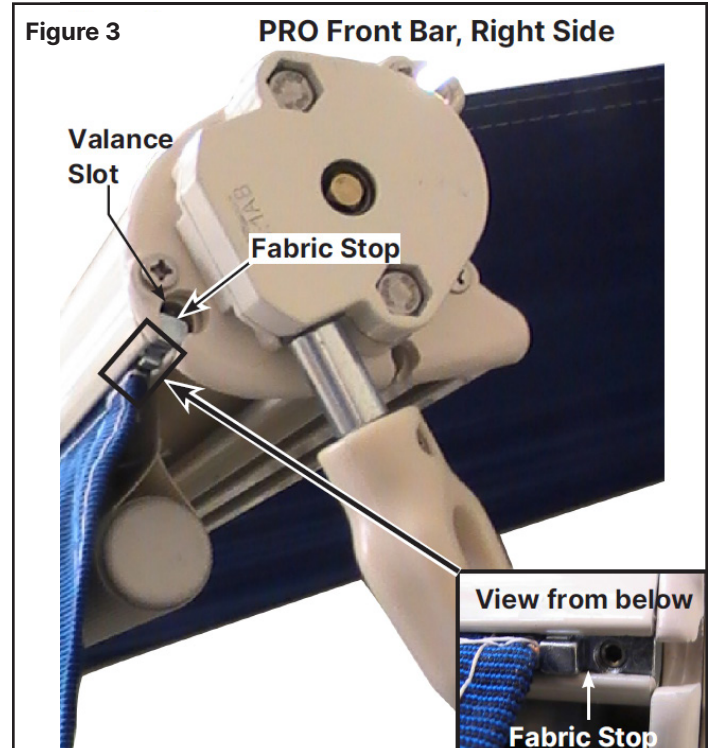


Motorized Pro Lateral Awnings

Tools Needed: Phillips Screwdriver, Scissors and a 5/64 Allen Wrench

Parts Supplied: Replacement Valance

1. Open the Awning to the full projection.
2. Unplug the Awning to prevent unexpected movement of the motor.
3. Using a 5/64 Allen wrench, remove the Fabric Stop from the Valance Slot on the right side of the PRO Front Bar. (See **Figure 3**)
4. Slide the old Valance out of the Valance Slot.
5. Slide the new Valance into the Valance Slot.
6. Center the Valance.
7. Trim the gray cord, if needed.
8. Reinstall the Fabric Stop in the Valance Slot, snug against the new Valance.
9. Tighten the Fabric Stop in place, against the Valance, inside the Valance Slot.
10. Plug in Awning and close it.

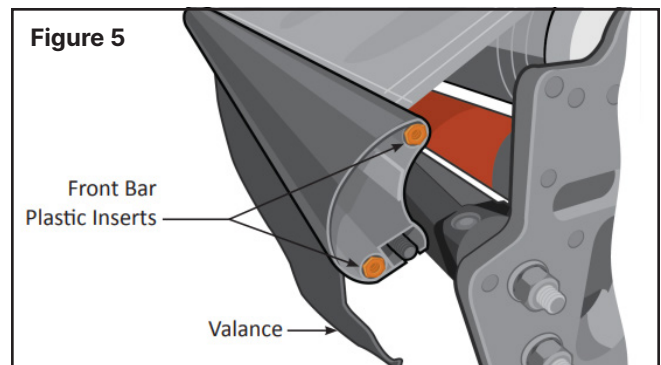
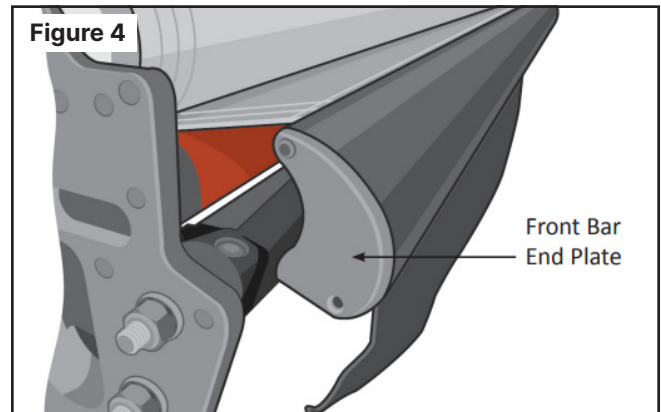


Manual and Motorized Freestanding Oasis Awnings

Tools Needed: Phillips Screwdriver, Scissors

Parts Supplied: Replacement Valance(s)

1. Open the Awning to the full projection.
2. For motorized, unplug the Awning to prevent unexpected movement of the motor.
3. Remove the End Cap on the Front Bar.
 - Remove the two Phillips screws from the End Cap. (See **Figure 4**)
 - If Plastic Insert is in the way of the Valance Slot, remove it. (See **Figure 5**)
4. Slide the old Valance out of the Front Bar.
5. On the new Valance, trim the gray cord to a length of 1/4" on each end.
6. Insert the new Valance into the Front Bar.
7. If removed, replace Plastic Insert.
8. Replace the End Cap on the Front Bar.
9. Repeat for the other Valance.
10. For Motorized, plug the Awning in and close it.

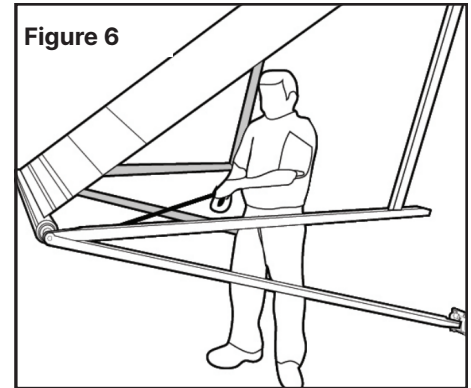


900XT and 1000XT Awnings

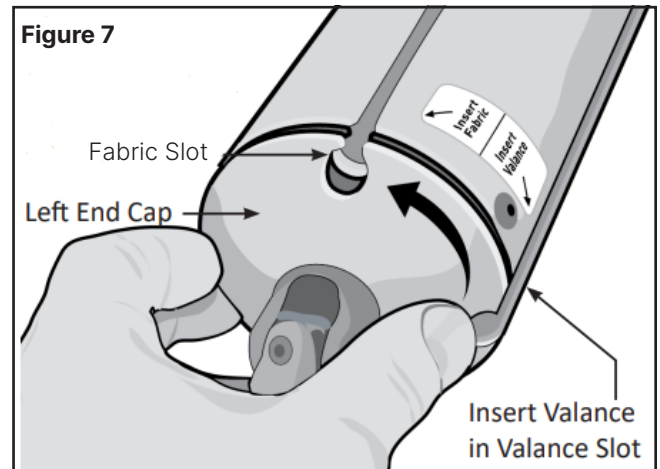
Tools Needed: 5/64 Allen Wrench and Scissors

Parts Supplied: Replacement Valance

1. Using the hand Crank Wand, unroll the Awning until the Fabric is completely extended and lock the Rafters into place. (see **Figure 4**)
2. Rotate the Left End Cap so that the opening is aligned with the slot indicated as 'Insert Valance' on the Roller Bar (See **Figure 5**).
3. Loosen the Fabric Stop using a 5/64 Allen wrench and slide it out of the Valance Slot (See **Figure 6**).



4. Slide the old Valance out of the Valance Slot.
5. Position the new Valance with the Hem facing down (See **Figure 6**).
6. Trim the Gray Cord flush with the edge of the Valance (See **Figure**)
7. While holding the Valance upright, slide the Valance onto the Roller Bar until approximately six (6") inches is still extending out of the Roller Bar.
8. On the remaining six inches (6") of Valance extending out of the Roller Bar, cut the Gray Cord flush to the end of the Valance.
9. Slide the Valance the rest of the way onto the Roller Bar until it stops at the other end.



10. Insert the removed Fabric Stop, with the larger end toward the Gray Cord, into the same Slot until it rests on the edge of the Valance. Tighten the Fabric Stop with a 5/64 Allen wrench.

