

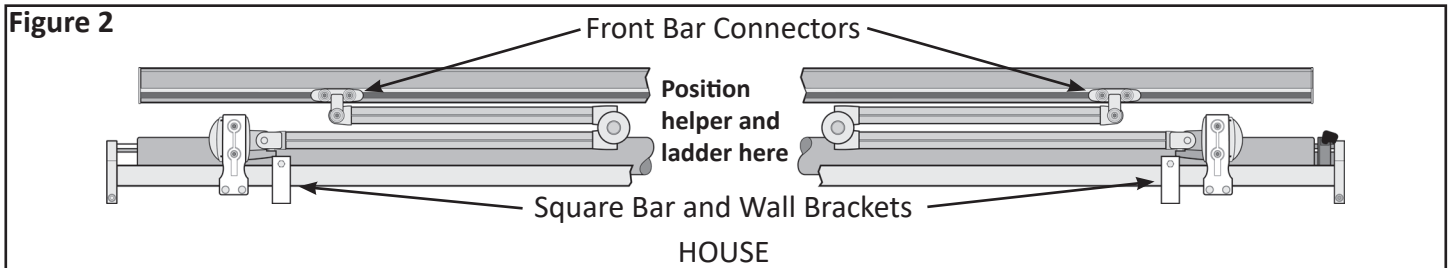
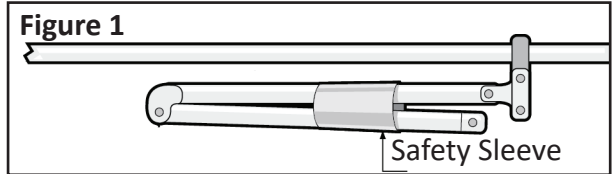


## Adjusting the Front Bar Connectors \*Helper Needed\*

**WARNING: FAILURE TO FOLLOW THE INSTRUCTIONS BELOW COULD RESULT IN PERSONAL INJURY!!**  
**PLEASE READ THESE INSTRUCTIONS IN ITS ENTIRETY BEFORE ATTEMPTING TO COMPLETE THIS PROCESS.**  
**FAILURE TO DO SO COULD RESULT IN PERSONAL INJURY.**

**Tools Needed:** 5mm Allen wrench, 2 ladders.

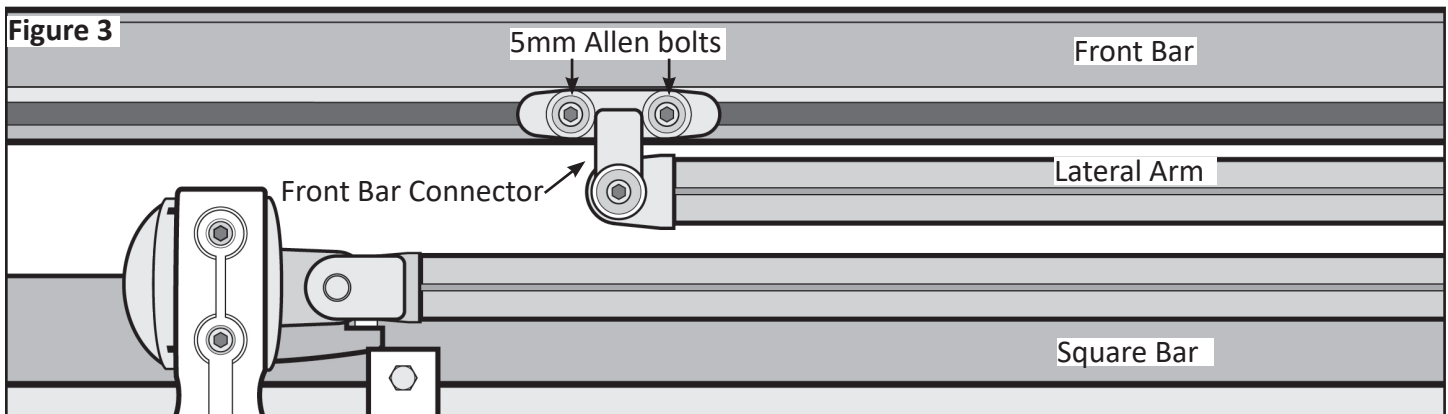
1. Close the Awning.
2. **Safety Sleeves must be installed** on the retracted Lateral Arms. See **Figure 1**.
3. For Motorized models, unplug the power cord from the wall outlet.
4. Using the manual Crank Wand supplied with your Awning, unroll enough Fabric off the Roller Bar to provide slack in the Fabric. **Note: This removes tension from the Fabric pulling on the Front Bar, which will allow the Front Bar Connector to shift position more easily in the Front Bar.**



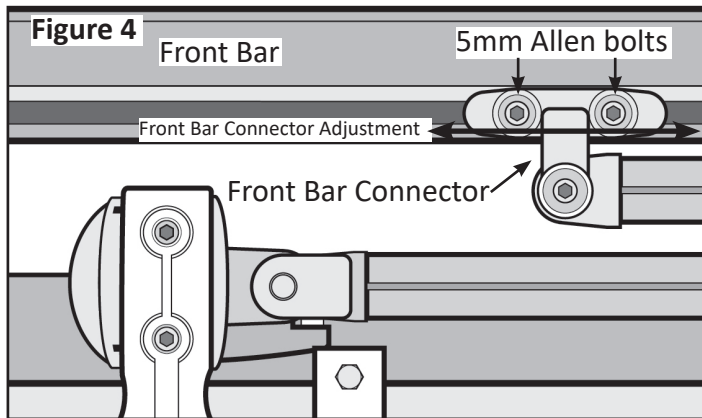
5. Position a ladder and helper, centered beneath the Awning, under the two Elbows of the closed Lateral Arms. See **Figure 2**.
6. Position yourself and the second ladder under one of the Front Bar Connectors, for the next step.

**WARNING: BEFORE PERFORMING THE NEXT STEPS, MAKE SURE NO LADDER, PERSON OR OBJECT IS IN FRONT OF THE AWNING. FAILURE TO DO SO COULD RESULT IN PERSONAL INJURY.**

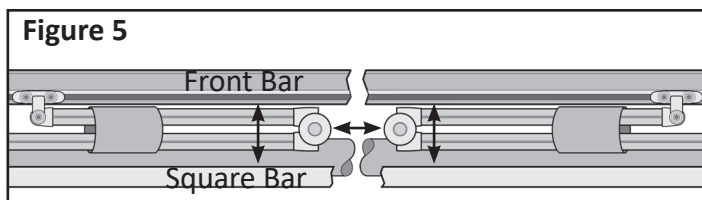
7. Using the 5mm Allen wrench, make sure the two 5mm Allen bolts that attach each Front Bar Connector to the Front Bar are tight. See **Figure 3**.



8. Select one Front Bar Connector to adjust.
9. Using a 5mm Allen wrench, loosen the two Allen bolts (**WARNING: NO MORE THAN ONE TURN**) where the Front Bar Connector attaches to the Front Bar. See **Figure 4**.



10. Have your helper move and **HOLD** both Lateral Arms (**AT THE ELBOWS**) to the desired location (**SHOULD BE APPROXIMATELY 2 INCHES FROM THE SQUARE BAR**). The loosened Front Bar Connectors will realign themselves during this process. Watch for the position to self adjust. See **Figure 4**.
11. Release the Lateral Arms. The Arms should remain in the adjusted position, between the Front Bar and the Square Bar (see **Figure 5**).



12. Repeat Step 10 as needed, to ensure the Front Bar Connectors self adjust in the channel of the Front Bar. See **Figure 4**.
13. When the Arms remain in the adjusted position, secure the two 5mm Allen bolts on the repositioned Front Bar Connector. Ensure all bolts are tight but do not overtighten. See **Figure 4**.

**Note:** The closed Lateral Arms should not bang on the Square Bar or extend beyond the Valance. If so, a very minor Front Bar adjustment will remedy this condition.

14. Using the manual Crank Wand, roll the Fabric tightly on to the Roller Bar.
15. Remove the plastic Safety Sleeves from the retracted Lateral Arms. See **Figure 1**.

16. For Motorized models, plug the power cord into the wall outlet.
17. Check your Awning for proper operation. The Awning should open all the way and close all the way, resulting in both Lateral Arms folding closed, under the closed Awning.