



RETRACTABLE AWNINGS

For Technical Support visit us at <http://ownerscorner.sunsetter.com>,
e-mail contactus@sunsetter.com, or Call Toll Free 800-670-7071 • Fax 877-224-4944

VISTA and Motorized Awning Arm Clamp Replacement

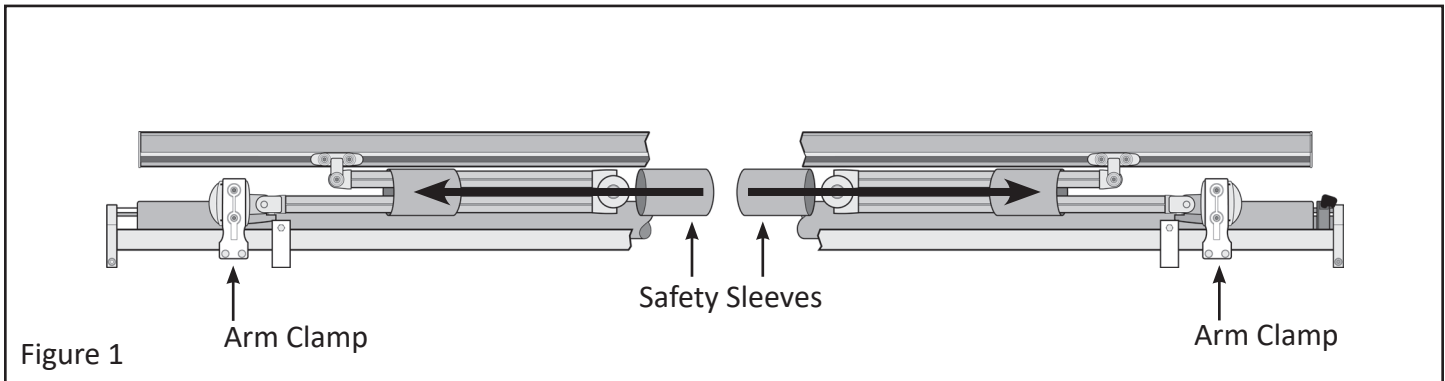
Helper Needed

Tools Needed: Step ladder, 6mm Allen wrench, 4mm Allen wrench, towel, pencil.

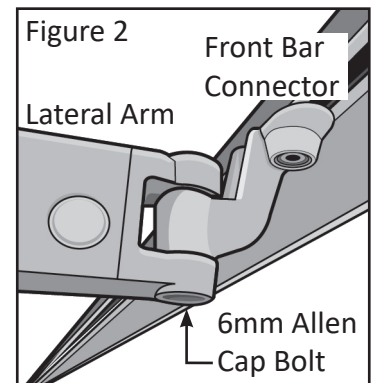
Parts Supplied: Arm Clamp Assembly (Left or Right), Plastic safety sleeves

WARNING: Failure to follow these instructions can result in PERSONAL INJURY!! Please read these instructions in its entirety before attempting to complete this process.

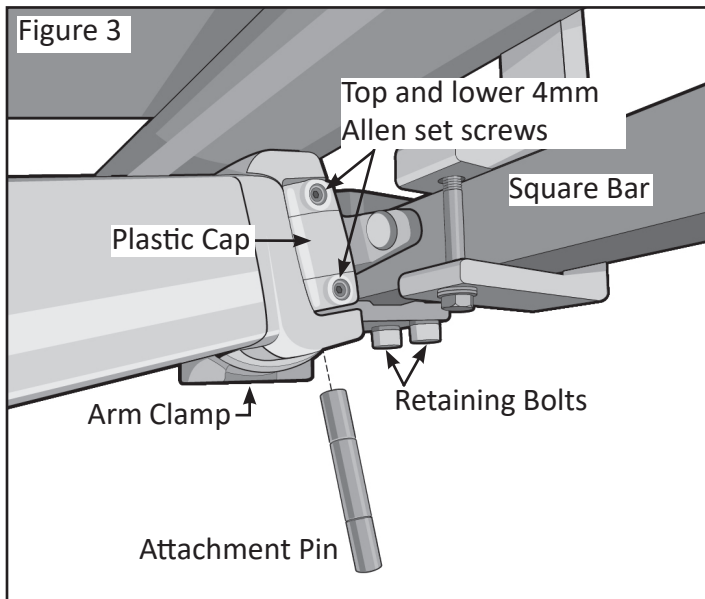
PLEASE NOTE THAT LEFT AND RIGHT REFERENCES ARE AS YOU ARE FACING THE HOUSE.



1. Make sure the Awning is completely retracted against the house.
2. Unplug the power cord from the power (GFI) outlet, if equipped.
3. Mark the Square Bar on both sides of the Arm Clamp being replaced, to ensure the replacement Arm Clamp is mounted in the same position on the Square Bar.
4. Slide the supplied Safety Sleeves on both Lateral Arms, sliding them as far as possible toward the existing Arm Clamps. See **Figure 1**.
5. On the Lateral Arm attached to the Arm Clamp being replaced, remove the 6mm Allen cap bolt and top nut from the Front Bar Connector. See **Figure 2**. Be sure to save the nylon bushings inserted into the Front Bar Connector for reassembly.
6. Separate the Front Bar from the end of the Lateral Arm.
7. Place a rolled up towel around the Front Bar Connector and tuck it between the Roller Bar and wall, to hold the disconnected Front Bar up and out of the way and to prevent the dangling Front Bar from scratching the Lateral Arm. If this step cannot be performed, have a helper hold the Front Bar while continuing with the following steps. Ensure the Front Bar Connector and Front Bar do not damage the Awning Fabric or paint. Touch-up paint is available from SunSetter.



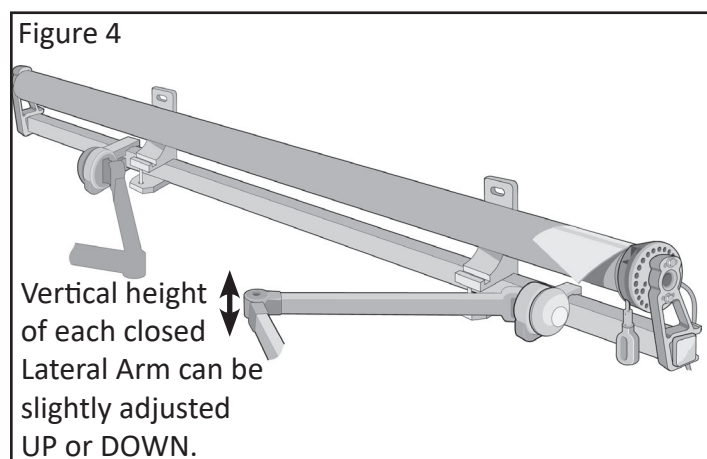
- Swing the Lateral Arm away from the house and expose the two 4mm Allen set screws. See **Figure 3**.



- Remove the Plastic Cap between the set screws.
- While supporting the balanced weight of the Lateral Arm in one hand, use a 4mm Allen wrench to loosen (**but do not remove**) the upper and lower set screws of the Arm Clamp. See **Figure 3**.
- Lift the Lateral Arm to take pressure off the Arm Clamp, while lowering the Attachment Pin holding the Lateral Arm to the Arm Clamp. See **Figure 3**.
- Separate the Lateral Arm from the Arm Clamp and place on a smooth, clean surface.
- Using a 6mm Allen wrench, remove the two Retaining Bolts from the back of the Arm Clamp and (see **Figure 3**) remove from the Square Bar.
- Remove the replacement Arm Clamp from its packaging and compare to the original. Left and Right side Arm Clamps are different.
- Place the replacement Arm Clamp on the Square Bar with the 4mm Set Screws facing toward the inside of the Awning.
- Attach the Arm Clamp with provided back plate and Retaining Bolts and Nuts. Align with marks made in **Step 3**. Tighten Retaining Bolts securely.
- Position the Lateral Arm over the knuckle of the Arm Clamp and insert the Attachment Pin.
- Make sure the Attachment Pin is centered in the Arm Clamp, then **tighten the lower 4mm Allen Set Screw**. See **Figure 3**.

- Tighten the upper 4mm Allen Set Screw** all the way, then back off $\frac{3}{4}$ of a turn. See **Figure 3**.
- Swing the Lateral Arm back towards the house.
- Make sure the plastic bushings are in place, on the Front Bar Connector, where the Retaining Bolt passes through the Front Bar Connector and Lateral Arm.
- Insert the Retaining Bolt through the Lateral Arm and Front Bar Connector. Replace the top nut above the Front Bar Connector. Tighten securely with a 6mm Allen wrench.
- Remove Plastic Safety Sleeves from Lateral Arms.
- Plug in the Power Cord, if equipped, then test for proper operation.
- Adjust Pitch according to the attached instructions. See **Appendix A**.
- If needed, adjust **Top Allen set screw** in the Arm Clamp (see **Figure 3**). **Note:** The vertical height of each closed Lateral Arm, at the elbow (see **Figure 4**), can be slightly adjusted with the **Top 4mm Allen set screw** of each Arm Clamp (see **Figure 3**). To raise the height, tighten the Upper Allen screw. To lower the height, loosen the Upper Allen screw. This adjustment allows about 2 inches of travel, up or down.

WARNING: DO NOT ADJUST THE LOWER 4MM ALLEN SET SCREW AS THIS SCREW HOLDS THE ATTACHMENT PIN IN PLACE.



APPENDIX A - Changing the Pitch of Your Awning

Tools Needed: 6mm Allen wrench (included with Awning), large adjustable wrench, step ladder(s), and a helper(s).

Follow these instructions to change the pitch or angle (see **Figure A** on **next page**) of your Awning.

Note: A Visual Guide is available on the Installation DVD and on the Owner's Corner.

1. Close the Awning.
2. Have your helper slightly lift the Front Bar close to the Front Bar Connector, to remove pressure on the Arm Clamp.
3. Remove the plastic cover from the Arm Clamp. Remove by hand, no tools required. See **Figure C**.
4. Using an adjustable wrench, **tighten the large Lock Nut in the Arm Clamp** for safety. See **Figure D**.
5. Release the Front Bar and stand to the side of the Awning.
6. Open the Awning.
7. **Loosen the large Lock Nut in the Arm Clamp, not more than one quarter turn.** See **Figure D**.

Note: Adjust each Lateral Arm, one at a time, until both are at the desired height and the Front Bar is level.

Note: Depending on the Awning size and model, the weight of the Front Bar varies (Example: Wider Awnings will have heavier Front Bars). This will impact how high you can raise the Front Bar, using the adjustment capabilities of the Arm Clamps. See **Figure D** for the Pitch Channel Range. If you reach the maximum adjustment and are still not happy with the height of the Front Bar, you can shim the Wall Brackets upward to raise the Front Bar further. Make sure that all Wall Brackets are shimmed evenly.

To raise the Front Bar, complete steps 8 - 11:

WARNING: RAISING THE FRONT BAR WILL REDUCE THE PITCH (ANGLE) OF THE FABRIC THUS INCREASING THE RISK OF RAINWATER POOLING ON THE FABRIC. TO PREVENT THE AWNING FROM COLLAPSING DUE TO RAINWATER LOAD, YOU MUST RETRACT THE AWNING WHEN UNATTENDED. FAILURE TO DO SO COULD RESULT IN PERSONAL INJURY.

8. Slightly lift the Front Bar (close to the Front Bar Connector) to remove pressure on the Arm Clamp, then loosen Set Screw #1 until the Front Bar is above the desired height. See **Figure D** to see the Channel in the Arm Clamp showing high and low range of pitch.
9. While holding the Front Bar above the desired height, tighten Set Screw #2.

Note: Setting the Front Bar above the desired height allows room for settling when you release the Front Bar.

10. Release the Front Bar and tighten Set Screw #1.
11. Check height. Adjust as necessary, then go to **Step 16**.

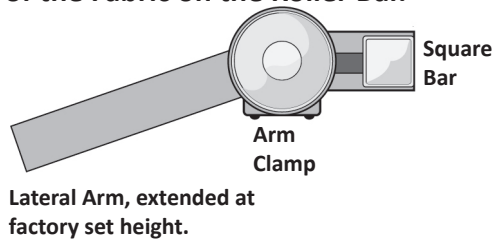
To lower the Front Bar, complete steps 12 - 13:

12. Slightly lift the Front Bar (close to the Front Bar Connector) to remove pressure on the Arm Clamp, then loosen Set Screw #2 until the Front Bar can be lowered to reach the desired height. See **Figure D** to see the Channel in the Arm Clamp showing high and low range of pitch.
13. Release the Front Bar.
14. Tighten Set Screw #1.
15. Check height. Adjust as necessary, then go to **Step 16**.

16. The Front Bar should be level. If not, adjust the height of either Arm, according to the steps, above.
17. Slightly lift the Front Bar (close to the Front Bar Connector) to remove pressure on the Arm Clamp.
18. Tighten the large Lock Nut in the Arm Clamps. See **Figure D**.
19. Release the Front Bar and check for level. If tilted, adjust the height of either Arm, according to the steps above.
20. Push the Front Bar down. If it moves from the desired height, repeat the steps above.
21. Replace the Plastic Cover to the Arm Clamp. Align the plastic guides, press by hand. See **Figure C**.
22. **Note:** Depending on adjustments, the Open/Close position stops may need to be adjusted to correct any sagging that may occur to the Fabric. Follow the procedures in Appendix A to change these settings.

APPENDIX A (Continued) - Changing the Pitch of Your Awning

Figure A Pitch is set at the factory so the bottom of the Front Bar is 29" lower than the top of the Fabric on the Roller Bar.



Pitch raised to maximum height.

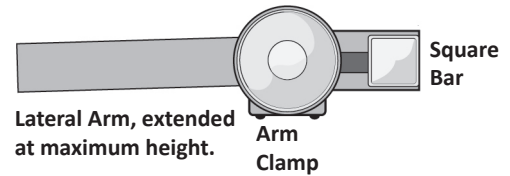


Figure B

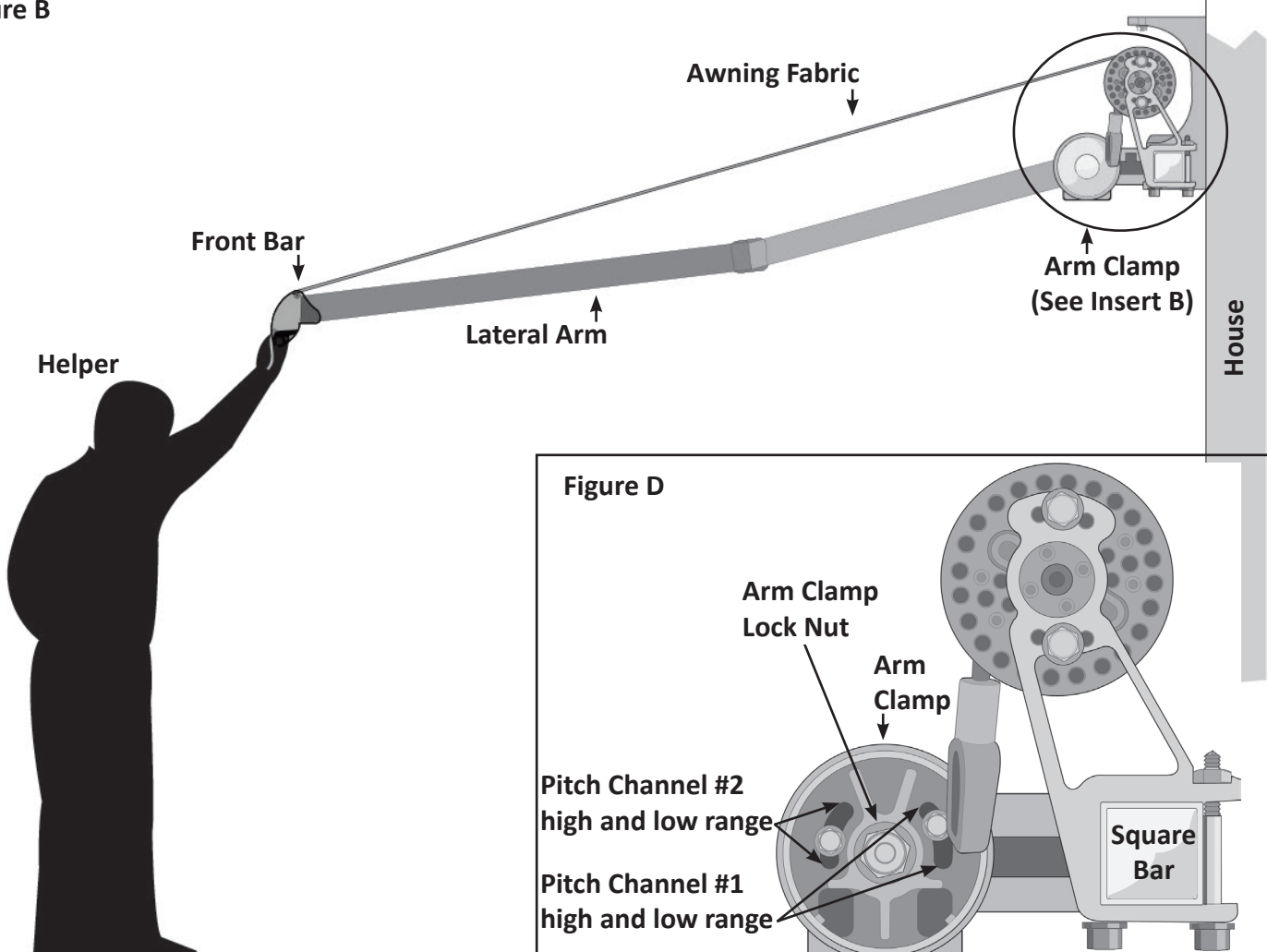


Figure D

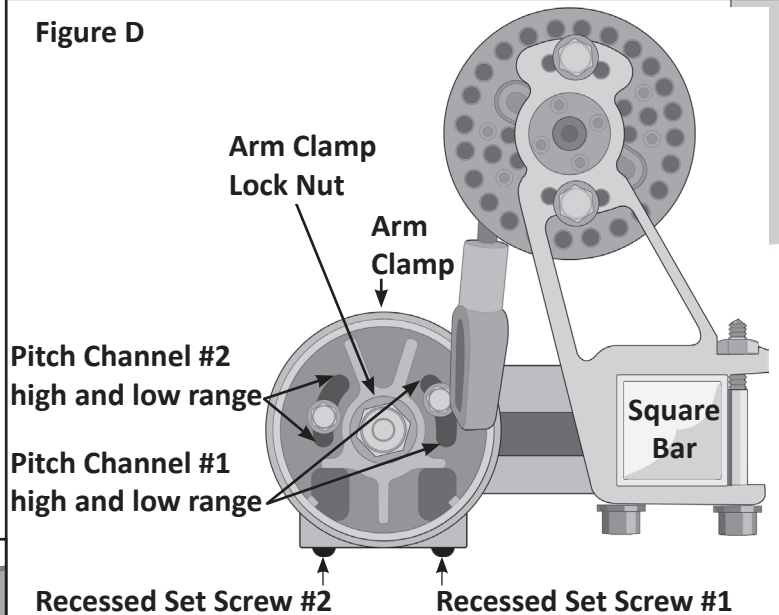
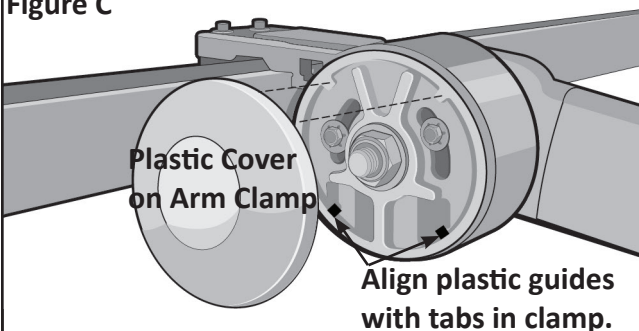


Figure C



Note: The high and low range of pitch can be viewed in Pitch Channel #1 and #2, as shown above.

CAUTION: Do not attempt to raise the pitch beyond the physical limits observed in Pitch Channel #1 and #2, as shown above. Doing so could damage the Arm Clamp.