



RETRACTABLE AWNINGS

For Technical Support visit us at [www.sunsetter.com/ownerscorner](http://www.sunsetter.com/ownerscorner) or Call Toll Free 800-670-7071 • Fax 877-224-4944

## Motorized PRO Awning PRO Front Bar Complete Assembly Replacement \*Helpers Needed\*

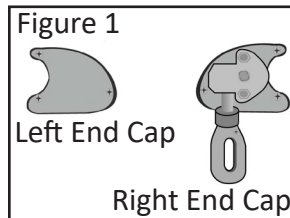
**Parts Supplied:** PRO Front Bar Housing, six End Plate screws.

**WARNING: FAILURE TO FOLLOW THESE PROCEDURES CAN RESULT IN PERSONAL INJURY!! PLEASE READ THESE INSTRUCTIONS COMPLETELY BEFORE PERFORMING THIS PROCEDURE.**

**PLEASE NOTE THAT LEFT AND RIGHT REFERENCES ARE AS YOU ARE FACING THE HOUSE.**

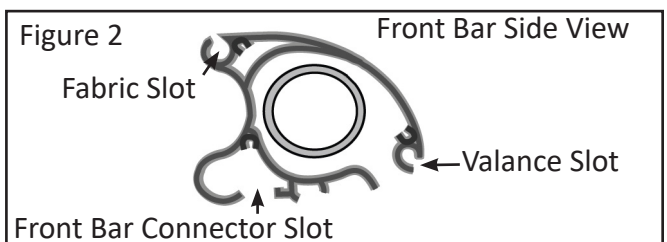
1. Open the Awning to the fully extended position.
2. Press the “my” button on the Remote Transmitter. If you have a Wall Switch, put it in the neutral position.
3. Unplug the power cord from the wall outlet.
4. Using the manual Crank Wand, continue to unroll the Fabric until you see the Fabric Slot on the Roller Bar. This will create the necessary slack in the Fabric to relieve tension on the Lateral Arms and Front Bar.

5. Using a Phillips screwdriver, remove **ONLY** the **LEFT** End Cap on the **LEFT** end of the Front Bar (on the opposite end of the Gear Assembly). See **Figure 1**.

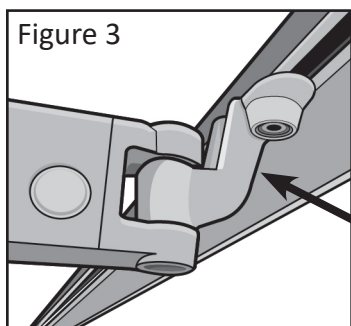


**Note: Do not disturb the RIGHT side End Cap with the Gear Assembly attached. This is on the RIGHT side of the Front Bar, as you are facing the house. See Figure 1.**

6. With your helper, slide the Valance out of the Front Bar and place in a clean, safe area.



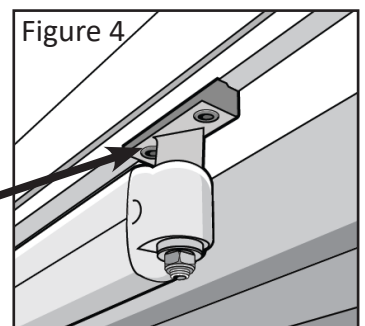
**Note: The Valance slot is on the front leading edge of the Front Bar. See Figure 2.**



**Choose Section A or Section B according to the type of Front Bar Connector present on your Awning. See Figure 3 and Figure 4.**

**For this type of Front Bar Connector, use Section A**

**For this type of Front Bar Connector, use Section B**



## Section A

Use this section only if your Front Bar Connector looks like the one shown in Figure 5.

Tools Needed: Pencil,  $\frac{5}{64}$ " 5mm and 6mm Allen wrenches and a #2 Phillips screwdriver.

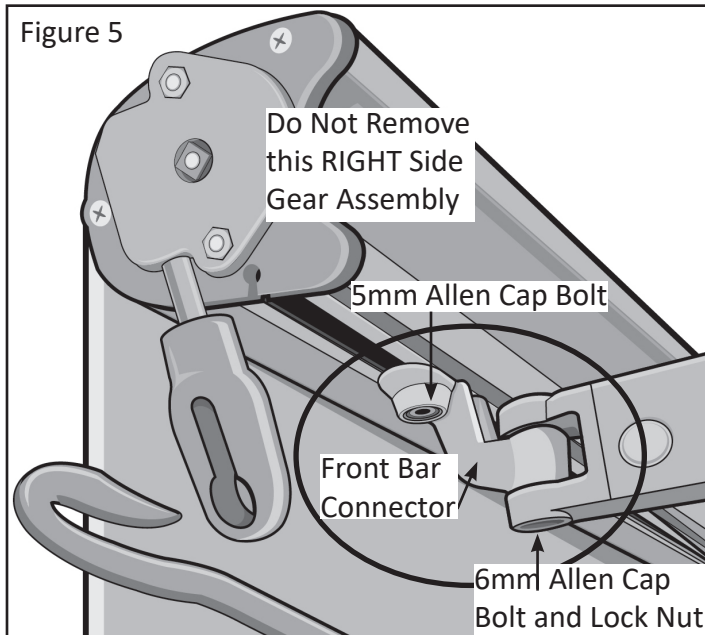


Figure 5

**Note:** Be very careful that the Fabric does not get damaged while the Front Bar is being replaced!

7. Lay the Front Bar on a clean work surface.
8. Lay the replacement Front Bar next to the Front Bar that was just removed from the Awning.
9. Center the two Front Bars next to each other.  
**Note:** There could be a difference in overall length of the two Front Bars. Center them as close as possible.
10. Mark the replacement Front Bar with the precise locations of the Front Bar Connectors on the original Front Bar.  
**Note:** This will ensure the Lateral Arms connect to the replacement Front Bar with the same alignment as the original Front Bar. Otherwise, see the Appendix for Adjusting Front Bar Connectors.

1. Use a  $\frac{5}{64}$ " Allen wrench to remove the Fabric Clamp from the Fabric Slot on the **LEFT** side of the Front Bar. See **Figure 6**.

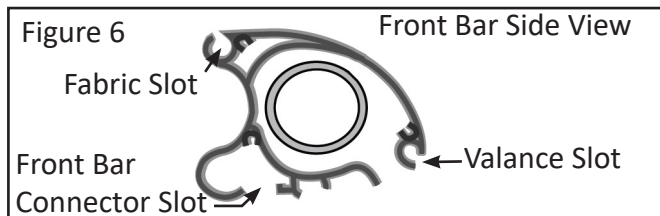


Figure 6

**Note:** Have your helper support the Front Bar while performing the next steps.

2. Using a 6 mm Allen wrench, remove the 6 mm Allen Cap Bolt and Lock Nut from the Front Bar Connector. See **Figure 5**.
3. While supporting the Lateral Arm, separate the Front Bar from the Lateral Arm.

**Note:** Gently lift up on the Front Bar to remove pressure.

4. Repeat for the other side.

**Note:** Be certain to retain the two White Nylon Bushings that are located in the upper and lower openings of each Front Bar Connector.

5. While you hold the end of the Fabric, have your helper slide the Front Bar off the Fabric.
6. Carefully lay the Fabric on both Lateral Arms for support or allow it to hang straight down from the Roller Bar.

11. Loosen, but do not remove the two 5mm Allen Cap Bolts where the Front Bar Connector clamps on to the Front Bar. See **Figure 5**.
12. Slide one Front Bar Connector out of the Front Bar Connector Slot of the original Front Bar.
13. Insert the Front Bar Connector into the replacement Front Bar Assembly, align with the marks made in **Step 10**.
14. Repeat for the other Front Bar Connector.
15. Tighten all four Allen Cap Bolts.
16. Slide the replacement Front Bar on to the Fabric.
17. Attach the Lateral Arms to the Front Bar Connectors.
18. Tighten Allen Cap Bolts and Lock Nuts.
19. Align the edge of the Valance with the edge of the Fabric in the Front Bar and then the Roller Bar.
20. Slide the Fabric Clamp in the Fabric Slot, against the Fabric.
21. Replace the End Cap.
22. Use the Crank Wand to roll the Fabric tightly onto the Roller Bar.
23. Test Awning for proper operation.
24. Check for fit. Adjust as necessary as instructed in **Section A - ADJUSTING THE FRONT BAR CONNECTORS**.

## Section A - ADJUSTING THE FRONT BAR CONNECTORS

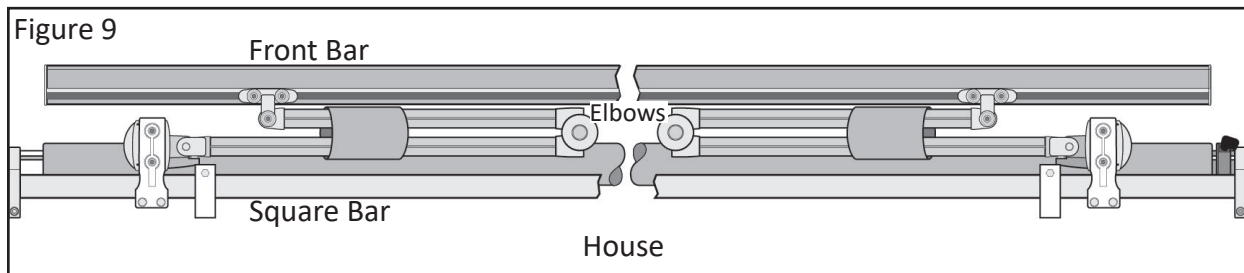
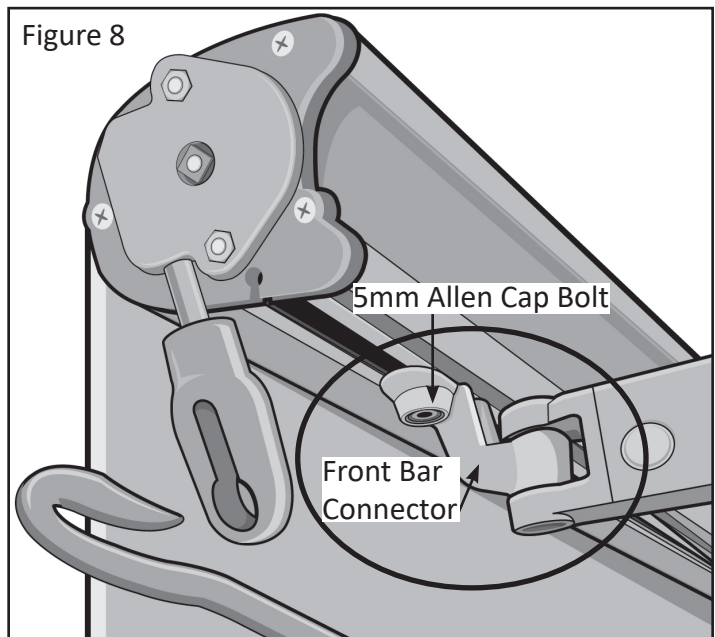
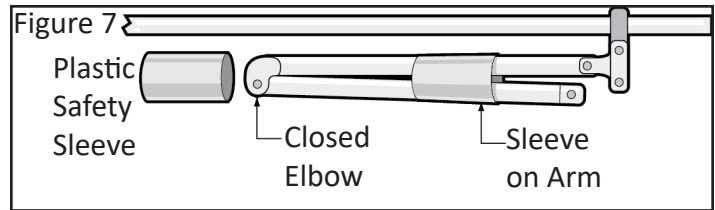
Use this section only if your Front Bar Connector looks like the one shown in Figure 8 and its position in the Front Bar needs adjustment.

1. Close the Awning all the way.
2. Unplug the motor.
3. Slide the Plastic Safety Sleeves onto each Lateral Arm. See **Figure 7**.
4. Using the hand Crank Wand, unroll a little bit of the Fabric off the Roller Bar so the pressure is off the Front Bar and the Front Bar Connectors.
5. Using a 5mm Allen Wrench, loosen one turn, but do not remove the two 5mm Allen Cap Bolts connecting the Front Bar Connectors to the Front Bar. See **Figure 8**.
6. Have your helper hold the Front Bar in place, preventing it from shifting side to side, while performing the following steps:
7. Push both Lateral Arms at the Elbow, toward the house. See **Figure 9**.

- The Front Bar Connectors will self adjust their side to side positions in the Front Bar.

**Note:** A slight tap on the Connectors with a soft mallet could help them adjust position.

- Both Arms, at the folded elbow, should be aligned next to each other, resting midway between the Square Bar and the Front Bar, when released.

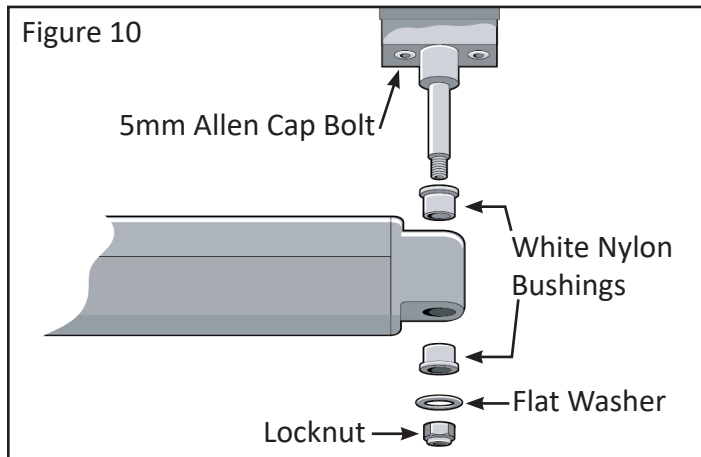


8. Tighten both Front Bar Connectors.
9. Using the Hand Crank Wand, roll the Fabric tightly until the Fabric begins to pull on the Front Bar.
10. Remove the Plastic Safety Sleeves.
11. Plug in the motor.
12. Test the Awning for proper operation.

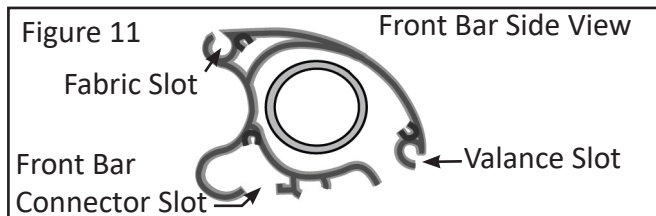
## Section B

Use this section only if your Front Bar Connector looks like the one shown in Figure 7.

Tools Needed: Pencil,  $\frac{5}{64}$ " and 5mm Allen wrenches,  $\frac{1}{2}$ " wrench or socket, and a #2 Phillips screwdriver.



1. Use a  $\frac{5}{64}$ " Allen wrench to remove the Fabric Clamp from the Fabric Slot on the **LEFT** side of the Front Bar. See **Figure 11**.



**Note:** Have your helper support the Front Bar while performing the next steps.

2. Using a  $\frac{1}{2}$ " wrench, remove the locknut from the Front Bar Connector. See **Figure 10**.
3. While supporting the Lateral Arm, separate the Front Bar from the Lateral Arm.

**Note:** Gently lift up on the Front Bar to remove pressure.

4. Repeat for the other side.

**Note:** Be certain to retain the White Nylon Bushings that are located on the end of the Lateral Arm, when it is removed from the Connector.

5. While you hold the end of the Fabric, have your helper slide the Front Bar off the Fabric.
6. Carefully lay the Fabric on both Lateral Arms for support or allow it to hang straight down from the Roller Bar.

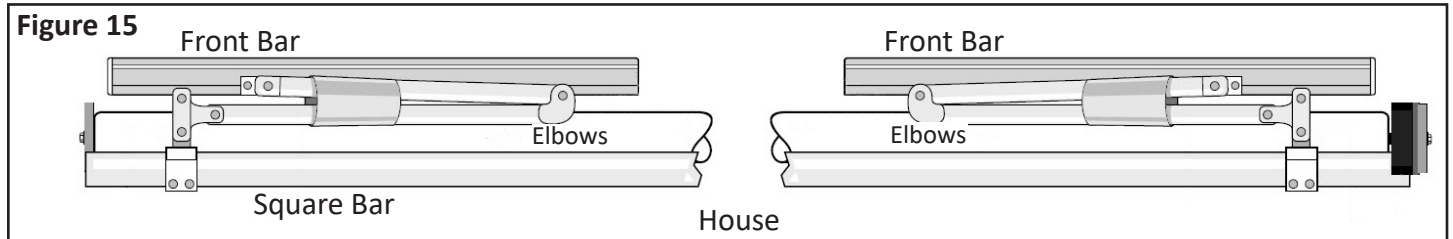
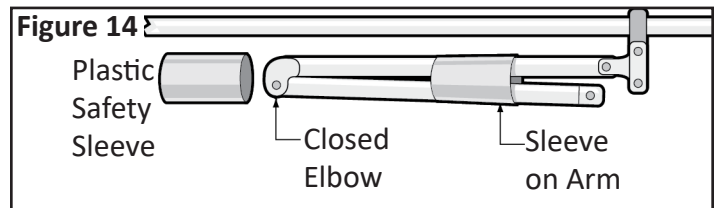
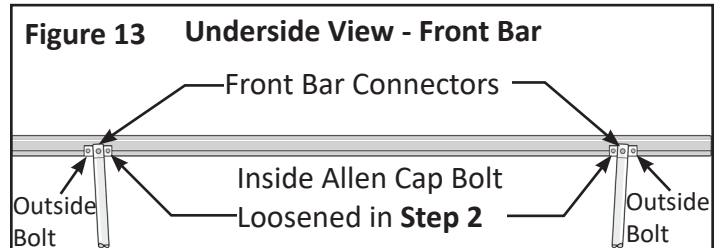
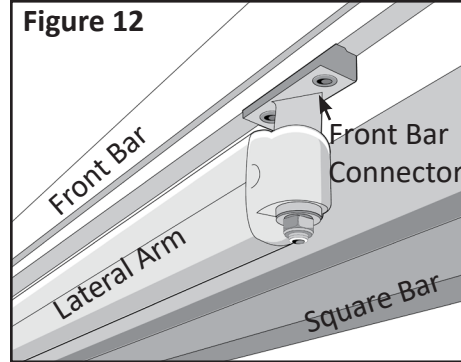
**Note:** Be very careful that the Fabric does not get damaged while the Front Bar is being replaced.

7. Lay the Front Bar on a clean work surface.
8. Lay the replacement Front Bar next to the Front Bar that was just removed from the Awning.
9. Center the two Front Bars next to each other.  
**Note:** There could be a difference in overall length of the two Front Bars. Center them as close as possible.
10. Mark the replacement Front Bar with the precise locations of the Front Bar Connectors on the original Front Bar.  
**Note:** This will ensure the Lateral Arms connect to the replacement Front Bar with the same alignment as the original Front Bar. Otherwise, see the Appendix for Adjusting Front Bar Connectors.
11. Loosen, but do not remove the two 5mm Allen Cap Bolts where the Front Bar Connector clamps on to the Front Bar. See **Figure 10**.
12. Slide one Front Bar Connector out of the Front Bar Connector Slot of the original Front Bar.
13. Insert the Front Bar Connector into the replacement Front Bar Assembly, align with the marks made in **Step 10**.
14. Repeat for the other Front Bar Connector.
15. Tighten all four Allen Cap Bolts.
16. Slide the replacement Front Bar on to the Fabric.
17. Attach the Lateral Arms to the Front Bar Connectors and tighten the Locknut. See **Figure 10**.
18. Tighten Allen Cap Bolts and Lock Nuts.
19. Align the edge of the Valance with the edge of the Fabric in the Front Bar and then the Roller Bar.
20. Slide the Fabric Clamp in the Fabric Slot, against the Fabric.
21. Replace the End Cap.
22. Use the Crank Wand to roll the Fabric tightly onto the Roller Bar.
23. Check for fit. Adjust as necessary.
24. Test Awning for proper operation.

## Section B - ADJUSTING THE FRONT BAR CONNECTORS

Use this section only if your Front Bar Connector looks like the one shown in Figure 12 and its position in the Front Bar needs adjustment.

1. Open the Awning all the way.
2. Using a 5mm Allen Wrench, loosen one half turn, being careful to not remove the Allen Cap Bolt, the inside Allen Cap Bolt toward the center of the Awning. See **Figure 13**.
3. Close the Awning all the way.
4. Slide the Plastic Safety Sleeves onto each Lateral Arm. See **Figure 14**.
5. Using a 5mm Allen Wrench, loosen one half turn, being careful to not remove the Allen Cap Bolt, the Allen Cap Bolt toward the **outside** edge of the Awning. See **Figure 13**.
6. Using the Hand Crank Wand, unroll a little bit of the Fabric off the Roller Bar so the pressure is off the Front Bar.
7. Have your helper hold the Front Bar in place, preventing it from shifting side to side, while performing the following steps:



8. Push both Lateral Arms at the Elbow, toward the house. See **Figure 15**.
  - The Front Bar Connectors will self adjust their side to side positions in the Front Bar.
  - Note:** A slight tap on the Connectors with a soft mallet could help them adjust position.
  - Both Arms, at the folded elbow, should be aligned next to each other, resting midway between the Square Bar and the Front Bar, when released.
9. Tighten the outside bolts on the Front Bar Connectors. See **Figure 13**.
10. Remove the Safety Sleeves. See **Figure 14**.
11. Open the Awning.
12. Tighten the inside bolts on the Front Bar Connectors. See **Figure 13**.
13. Close the Awning.
14. Plug in the motor.
15. Test the Awning for proper operation.

**This page intentionally left blank.**