



RETRACTABLE AWNINGS

For Technical Support visit us at [www.sunsetter.com/ownerscorner](http://www.sunsetter.com/ownerscorner) or Call Toll Free 800-670-7071 • Fax 877-224-4944

## Motorized PRO Awning PRO Front Bar Replacement \*Helpers Needed\*

**Tools Needed:** Step ladder, 13 mm wrench or socket, 5 mm Allen wrench, pencil, tape measure, Phillips screwdriver.

**Parts Supplied:** PRO Front Bar Housing, six End Plate screws.

**WARNING: FAILURE TO FOLLOW THESE PROCEDURES CAN RESULT IN PERSONAL INJURY!! PLEASE READ THESE INSTRUCTIONS COMPLETELY BEFORE PERFORMING THIS PROCEDURE.**

**PLEASE NOTE THAT LEFT AND RIGHT REFERENCES ARE AS YOU ARE FACING THE HOUSE.**

1. Open the Awning to the fully extended position.
2. Press the “my” button on the Remote Transmitter. If you have a Wall Switch, put it in the neutral position.
3. Unplug the power cord from the wall outlet.
4. Using the manual Crank Wand, continue to unroll the Fabric until you see the Fabric Slot on the Roller Bar. This will create the necessary slack in the Fabric to relieve tension on the Front Bar.
5. Insert the manual Crank Wand into the Crank Loop on the Front Bar.
6. Turn the Crank Wand to unroll the Weatherbreaker Panel until the Panel is fully extended. See **Figure 1**.
7. Using a Phillips screwdriver, remove both End Caps on the ends of the Front Bar.  
**Note: Use care so that no loose components are misplaced.** See **Figure 2**.
8. With your helper, slide the Weatherbreaker Roller Bar out of the Front Bar. Place the Weatherbreaker on a clean surface. **Note the orientation of the Weatherbreaker Panel; hemmed (folded) edges face the house.**
9. Remove the Valance from the Valance Slot in the Front Bar, noting the particular slot in the Front Bar that holds the Valance. Place the Valance on a clean surface.
10. On the left and right sides, measure from the end of the Front Bar to the outer edge of the Front Bar Connector and record each measurement. See **Figure 3**. You will use these same measurements to properly locate each Front Bar Connector on the new Front Bar. The measurement might be slightly different on each side, so be certain to indicate right and left side as you record your measurements.

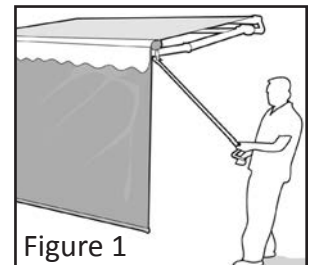


Figure 1

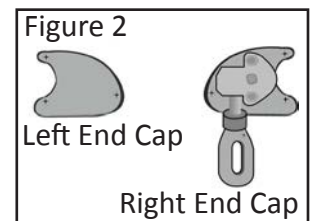
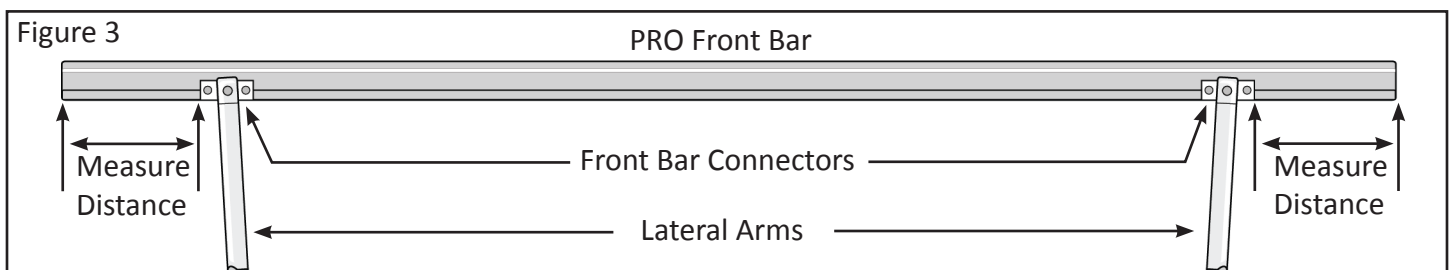
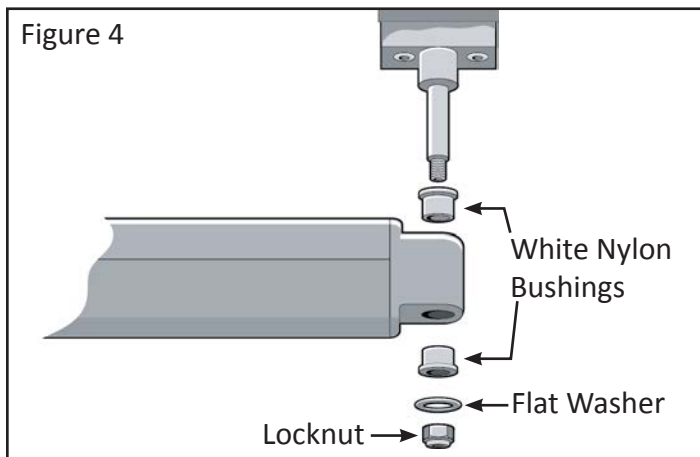


Figure 2



- Using a 13 mm wrench or socket, remove the Locknut, Flat Washer and White Nylon Bushing on the Front Bar Connectors. See **Figure 4**.



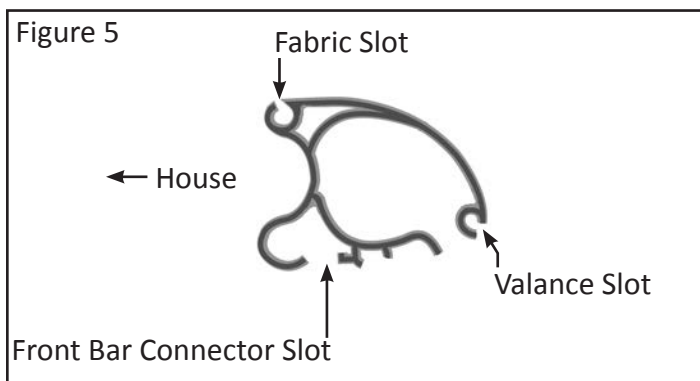
- Separate the Front Bar from the Lateral Arms by lifting up on the Front Bar. Be certain to retain the two White Nylon Bushings that are located in the top holes of the Lateral Arms. See **Figure 4**.

- While your helper holds the end of the Fabric, slide the Front Bar off the Fabric. Carefully lay the Fabric on both Lateral Arms for support or allow it to hang straight down from the Roller Bar. Be very careful that the Fabric does not get damaged while the Front Bar is being replaced!

- Lay the old Front Bar on a smooth surface and remove both Front Bar Connectors with a 5 mm Allen Wrench.

- Using the measurements that you recorded in **Step 10**, mark the new Front Bar to indicate the outer edges of the left and right Front Bar Connectors. Install the Front Bar Connectors at the locations that you marked and tighten with a 5 mm Allen wrench.

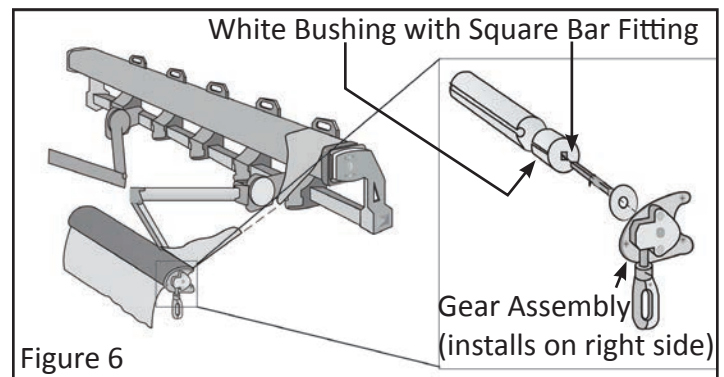
- With your helper, slide the new Front Bar onto the Fabric. Make sure the Fabric is inserted into the appropriate slot in the Front Bar. See **Figure 5**.



- Make sure that both White Nylon Bushings are in the top holes on the ends of the Lateral Arms and insert the threaded end of the Front Bar Connectors into these Bushings. Install the White Nylon Bushings, Washers and Locknuts on the threaded end of the Front Bar Connectors extending from the bottom of the Lateral Arm Ends. Tighten with the 13 mm wrench or socket. See **Figure 4**.

- With your helper, slide the Weatherbreaker Panel and Roller Bar into the Front Bar. Make sure that the White Bushings are in the ends of the Roller bar and the hem faces the house. See **Figure 6**.

**Note:** Make sure that the Bushing with the square center opening is at the right end of the Front Bar, as you face the house.



- Insert the Valance into the Valance Slot in the Front Bar. See **Figure 5**.

- Install the left side plate on the end of the Front Bar and secure with three Phillips screws.

- Install the right side plate (with the Gear Assembly) on the end of the Front Bar and secure with three Phillips screws. See **Figure 6**.

- Test the operation of the Weatherbreaker Panel.

- Make sure that the Fabric is centered on the Front Bar and Roller Bar.

- Using the Manual Crank Wand, roll the Fabric up until the Lateral Arms begin to close.

- Plug the power cord into the wall outlet on your house.

- Test the Awning for proper operation.