



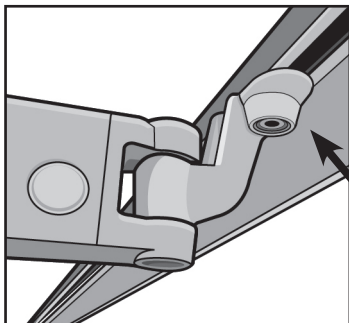
RETRACTABLE AWNINGS

For Technical Support visit us at [www.sunsetter.com/ownerscorner](http://www.sunsetter.com/ownerscorner)  
or Call Toll Free 800-670-7071 • Fax 877-224-4944

## VISTA and Motorized Awning Front Bar Replacement

**\*Helper Needed\***

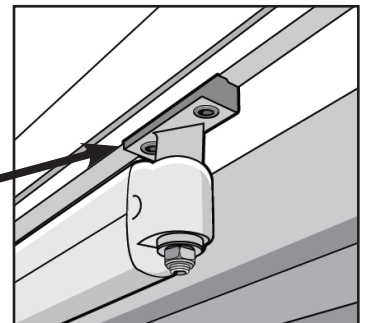
**WARNING: FAILURE TO FOLLOW THESE INSTRUCTIONS CAN RESULT IN PERSONAL INJURY!!**  
**PLEASE READ THESE INSTRUCTIONS ENTIRELY BEFORE ATTEMPTING THIS PROCESS.**  
**PLEASE NOTE THAT LEFT AND RIGHT REFERENCES ARE AS YOU ARE FACING THE HOUSE.**



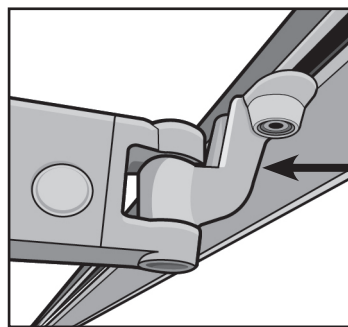
Choose Section A or Section B according to the type of Front Bar Connector present on your Awning

For this type of Front Bar Connector, use Section A

For this type of Front Bar Connector, use Section B



### SECTION A

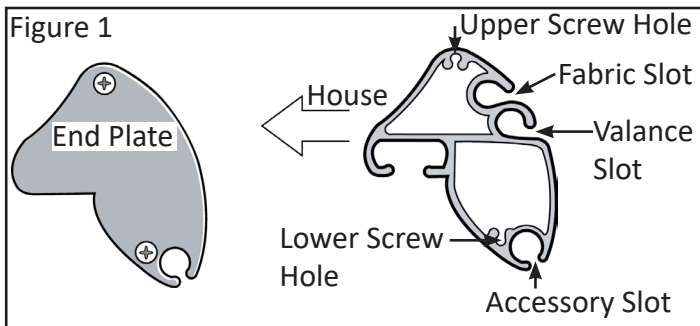


Only use Section A if your Front Bar Connector looks like this one.

**Tools Needed:** Step ladder, 5mm and 6mm Allen wrenches, pencil, tape measure, and Phillips screwdriver.

**Parts Supplied:** (1 ea.) Front Bar, (2 ea.) End Plates, (4 ea.) Phillips screws (#8 x 1/2").

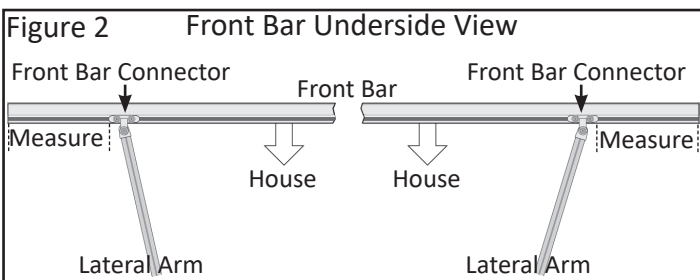
1. Open the Awning to the fully extended position.
2. **Motorized Models:** Unplug the power cord from the wall outlet on your house.
3. Using the manual Crank Wand, continue to unroll the Fabric until the Fabric Slot on the Roller Bar is fully exposed. This will create the necessary slack in the Fabric.
4. Using a Phillips screwdriver, remove both End Plates from the ends of the Front Bar. See **Figure 1, next page**.
5. Remove the Valance from the Front Bar Valance Slot. Place the Valance on a clean surface.



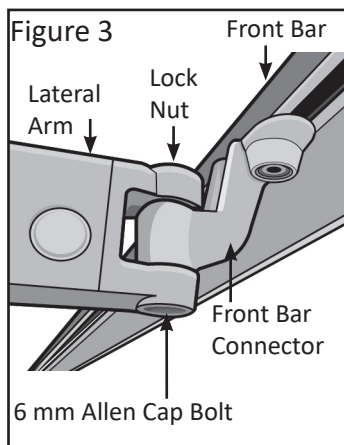
**Note the three Valance, Fabric, and Accessory Slots on the Front Bar. See Figure 1.**

- On the left and right sides, measure from the end of the Front Bar to the outer edge of each Front Bar Connector and record each measurement. See **Figure 2**.

**Note: These same measurements will be used to properly locate each Front Bar Connector on the replacement Front Bar. The measurement might be different on each side, so be certain to indicate right or left as measurements are recorded.**



- Using a 6 mm Allen wrench, remove the 6 mm Allen Cap Bolt and Lock Nut from the Front Bar Connectors. See **Figure 3**.
- While supporting the Lateral Arms, separate the Front Bar from the Lateral Arms by lifting up on the Front Bar.



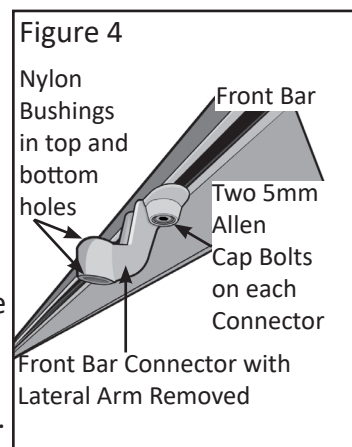
**Note: Be certain to retain the two White Nylon Bushings that are located in the top and bottom holes of the Front Bar Connectors. See Figure 4.**

- While your helper holds the end of the Fabric, slide the Front Bar off the Fabric. Carefully lay the Fabric on both Lateral Arms for support or allow it to hang straight down from the Roller Bar.

**Note: Be very careful that the Fabric does not get damaged while the Front Bar is being replaced!**

- Lay the old Front Bar on a smooth surface and remove both Front Bar Connectors with a 5mm Allen wrench.
- Using the measurements recorded in **step 6**, mark the replacement Front Bar to indicate the outer edges of the left and right Front Bar Connectors.
- Install the Front Bar Connectors at the marked locations on the replacement Front Bar and tighten with a 5 mm Allen wrench.
- With your helper, slide the new Front Bar onto the Fabric. Make sure the Fabric is inserted into the Fabric Slot (not the Valance Slot) in the Front Bar. See **Figure 1**.

- Make sure that both White Nylon Bushings are in the **Top and Bottom Holes** on the Front Bar Connector. See **Figure 4**.

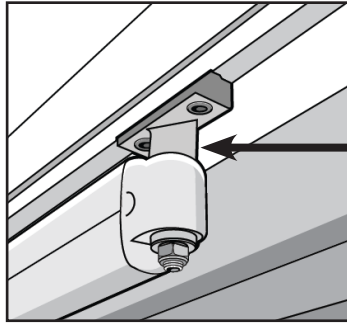


- Attach each Lateral Arm to the appropriate Front Bar Connector on the replacement Front Bar. See **Figure 3**.
- Install the Lock Nut and the 6 mm Allen Cap Bolt to the connection of the Lateral Arms and the Front Bar Connectors. See **Figure 3**.

**Note: The Nut fits into the opening in the top of the Lateral Arm. The Allen Cap Bolt inserts from the bottom.**

- Tighten both Bolts, securely. See **Figure 3**.
- Insert the Valance into the Valance Slot in the Front Bar. See **Figure 1**.
- Install both new End Plates on the ends of the replacement Front Bar, and secure with the Phillips screws provided.
- Make sure that the Fabric is visually centered on the Roller Bar and the Front Bar.
- Using the manual Crank Wand, roll the Fabric up until the Lateral Arms begin to close.
- Motorized Models:** Plug the power cord into the wall outlet on your house.
- Test the Awning for proper operation.

## SECTION B



Only use Section B if your Front Bar Connector looks like this one.

**Tools Needed:** Step ladder, 13mm wrench or socket, 5mm Allen wrench, pencil, tape measure, and Phillips screwdriver.

**Parts Supplied:** (1 ea.) Front Bar, (2 ea.) End Plates, (4 ea.) Phillips screws (#8 x 1/2").

**WARNING: FAILURE TO FOLLOW THESE INSTRUCTIONS CAN RESULT IN PERSONAL INJURY!! PLEASE READ THESE INSTRUCTIONS ENTIRELY BEFORE ATTEMPTING THIS PROCESS. PLEASE NOTE THAT LEFT AND RIGHT REFERENCES ARE AS YOU ARE FACING THE HOUSE.**

1. Open the Awning to the fully extended position.

2. **Motorized Models:** Place the wall switch or Remote Transmitter ("my" button) button in the neutral/stop position. Unplug the power cord from the wall outlet on your house.

3. Using the manual Crank Wand, continue to unroll the Fabric until the Fabric Slot on the Roller Bar is fully exposed. This will create the necessary slack in the Fabric.

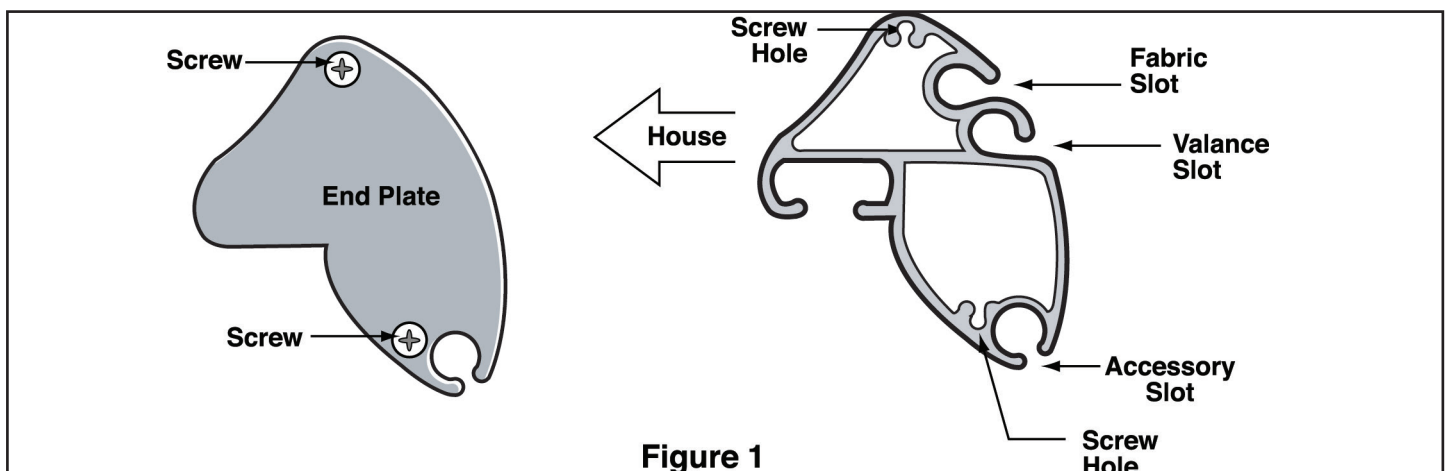
4. Using a Phillips screwdriver, remove both End Plates from the ends of the existing Front Bar. See **Figure 1**.

5. Remove the Valance from the Front Bar Valance Slot.

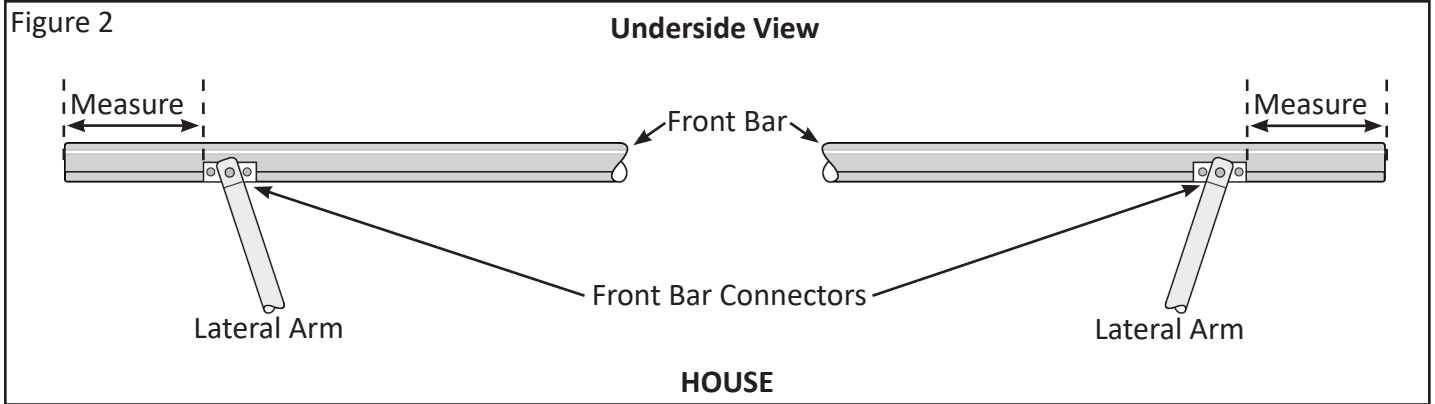
- Note the three Valance, Fabric, and Accessory Slots on the Front Bar. See **Figure 1**.
- Place the Valance on a clean surface.

6. On the left and right sides, measure from the end of the Front Bar to the outer edge of each Front Bar Connector and record each measurement. See **Figure 2**.

**Note:** These same measurements will be used to properly locate each Front Bar Connector on the replacement Front Bar. The measurement might be different on each side, so be certain to indicate right or left as measurements are recorded.



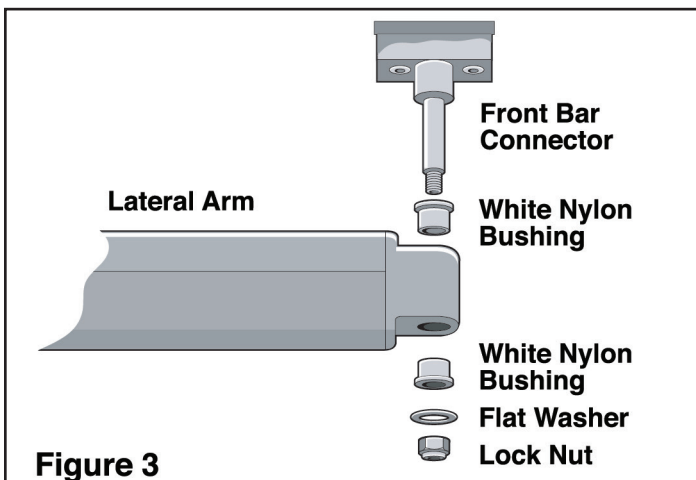
**Figure 1**



7. Using a 13mm wrench or socket, remove the Lock Nut, Flat Washer and White Nylon Bushing from the Front Bar Connectors. See **Figure 3**.

8. Separate the Front Bar from the Lateral Arms by lifting up on the Front Bar.

- Be certain to retain the two White Nylon Bushings that are located in the top holes of the Lateral Arms. See **Figure 3**.



9. While your helper holds the end of the Fabric, slide the Front Bar off the Fabric. Carefully lay the Fabric on both Lateral Arms for support or allow it to hang straight down from the Roller Bar.

**Note:** Be very careful that the Fabric does not get damaged while the Front Bar is being replaced!

10. Lay the removed Front Bar on a smooth surface and remove both Front Bar Connectors with a 5mm Allen wrench.

11. Using the measurements recorded in **step 6**, mark the replacement Front Bar to indicate the outer edges of the left and right Front Bar Connectors.

12. Install the Front Bar Connectors at the locations marked and tighten with a 5mm Allen wrench.

13. With your helper, slide the replacement Front Bar onto the Fabric. Make sure the Fabric is inserted into the Fabric Slot (not the Valance Slot) in the Front Bar. See **Figure 1**.

14. Make sure both White Nylon Bushings are in the **Top Holes** on the ends of the Lateral Arms and insert the threaded end of the Front Bar Connectors into these Bushings.

15. Install the White Nylon Bushings, Washers and Lock Nuts on the threaded end of the Front Bar Connectors extending from the bottom of the Lateral Arm ends. Tighten with the 13mm wrench or socket. See **Figure 3**.

16. Insert the Valance into the Valance Slot in the Front Bar. See **Figure 1**.

17. Install both End Plates on the ends of the Front Bar, and secure with the Phillips screws provided.

18. Make sure that the Fabric is visually centered on the Roller Bar and the Front Bar.

19. Using the manual Crank Wand, roll the Fabric up until the Lateral Arms begin to close.

20. **Motorized Models:** Plug the power cord into the wall outlet on your house.

21. Test the Awning for proper operation.