



RETRACTABLE AWNINGS

For Technical Support visit us at <http://ownerscorner.sunsetter.com>,
e-mail contactus@sunsetter.com, or Call Toll Free 800-670-7071 • Fax 877-224-4944

Lateral Awning Front Bar Connector Replacement

Helper Needed

Tools Needed: Step ladder, 5 mm and 6 mm Allen wrenches, pencil, tape measure, Phillips screwdriver.

Parts Supplied: Front Bar Connector (1 or 2).

WARNING: FAILURE TO FOLLOW THESE INSTRUCTIONS CAN RESULT IN PERSONAL INJURY!!

Please read these instructions in its entirety before attempting to complete this process.

PLEASE NOTE THAT LEFT AND RIGHT REFERENCES ARE AS YOU ARE FACING THE HOUSE.

1. Open the awning to the fully extended position.
2. **Motorized Models:** Place the wall switch or Remote Transmitter button in the neutral position (press the "my" button on the Remote Transmitter). Unplug the power cord from the wall outlet on your house.
3. Using the manual Crank Wand, continue to unroll the Fabric until you see the Fabric Slot on the Roller Bar. This will create the necessary slack in the Fabric.
4. Using a Phillips screwdriver, remove one or both End Plates on the ends of the Front Bar. See **Figure 1**.

Note: For Motorized PRO Models, see Appendix A.

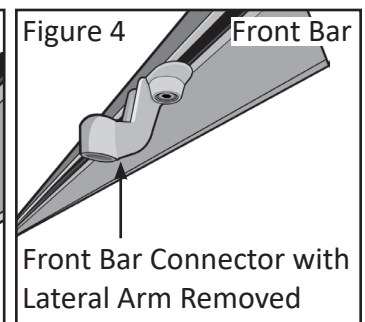
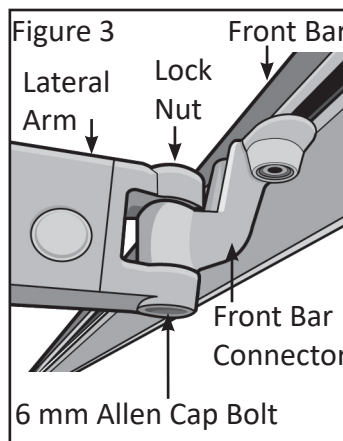
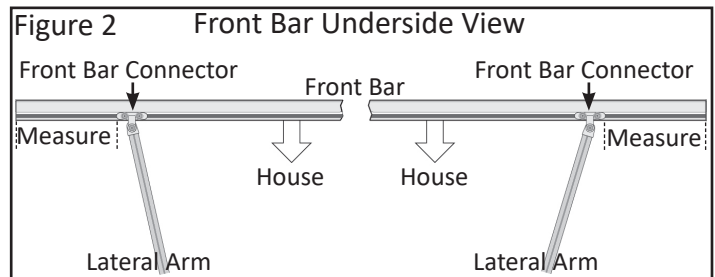
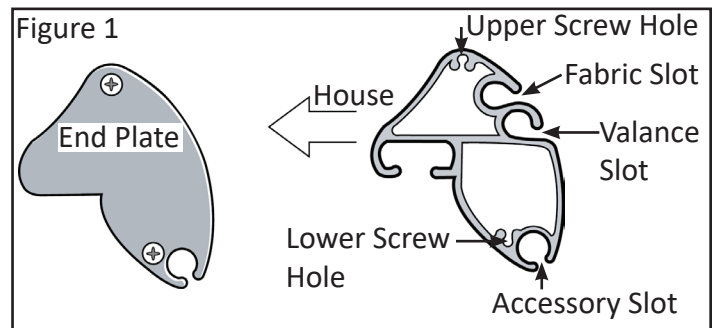
5. On the left and/or right sides, measure from the end of the Front Bar to the outer edge of the Front Bar Connector and record each measurement. Alternatively, you can mark with a pencil the exact location of the Front Bar Connectors on the Front Bar. See **Figure 2**.

Note: You will use these same measurements to properly locate each new Front Bar Connector on the Front Bar. The measurement might be different on each side, so be certain to indicate RIGHT and LEFT as you record your measurements.

Note: If both Front Bar Connectors are to be replaced, complete the exchange one connector at a time

CAUTION: Removing the Allen Cap Bolt in Step 6 and Step 7 will allow the Lateral Arm to separate from the Front Bar Connector, which will allow the Front Bar to drop several inches.

6. While your helper holds the Front Bar in place, remove the 6 mm Allen Cap Bolt from the Front Bar Connector where the Lateral Arm is attached. A lock nut sits in the top part of the Arm attachment. See **Figure 3**.



7. While your helper supports the Front Bar, separate the Front Bar Connector from the Lateral Arm and swinging the Lateral Arm out of your way.
 8. While your helper supports the Front Bar, remove the Front Bar Connector with a 5 mm Allen wrench.
Note: Loosen the two 5 mm Allen Cap Bolts where the Front Bar Connector attaches to the Front Bar. Once loose, the Front Bar Connector can slide out of the Front Bar through the opening where the End Cap was removed. See Figure 4.
 9. Using the measurement made in Step 5, mark the location of the outer edge of the Front Bar Connector you are replacing. Alternatively, you can slide the Front Bar Connector into the Front Bar and align the Front Bar Connector with the marks you made where the original Front Bar Connector was attached. Install the new Front Bar Connector at the location you marked and tighten with a 5 mm Allen wrench.
 10. Make sure that the White Nylon Bushings are in the top and bottom holes on the end of the Front Bar Connector. Insert the end of the Front Bar Connector into the end of the Lateral Arm.
 11. Secure the 6 mm Allen Cap Bolt connecting the Lateral Arm to the Front Bar Connector, do not overtighten.
- Note: Repeat Steps 6 thru 10 for the second Front Bar Connector if both are being replaced. Otherwise proceed with Step 12.**
12. Install one or both End Plates on the ends of the Front Bar, and secure with the Phillips screws removed in Step 4.
 13. Make sure that the Fabric is centered on the Roller Bar and Front Bar.
 14. Using the manual Crank Wand, roll up the Fabric until the Lateral Arms begin to close.
 15. Motorized Models: Plug the power cord into the wall outlet on your house.
 16. Test the Awning for proper operation.

Appendix A

Motorized PRO End Plate Removal

1. Using the Hand Crank Wand, unroll the Weather Breaker Panel to the fully extended position. See **Figure A**.
2. Remove the Crank Wand from the Crank Loop.

Note: If both Front Bar Connectors are to be replaced, complete the exchange on one side at a time.

3. For the Left Side (opposite end of the Gear Assembly), remove the three Phillips screws in the End Plate.
4. While holding the Weather Breaker Panel and Roller Bar in position, remove the End Plate. Leave the white Nylon Bushing inside the end of the Roller Bar.
5. To replace, insert the pin of the End Plate into the white Nylon Bushing inside the Roller Bar, align the End Plate with the Front Bar, insert screws and tighten.
6. For the Right Side (end of the Gear Assembly), remove the three Phillips screws in the End Plate. See **Figure B**.
7. While holding the Weather Breaker Panel and Roller Bar in position, remove the End Plate. Leave the white Nylon Bushing inside the end of the Roller Bar.
8. To replace, insert the pin of the End Plate into the white Nylon Bushing inside the Roller Bar, align the End Plate with the Front Bar, insert screws and tighten.
9. Using the Hand Crank Wand, roll up the Weather Breaker Panel.

