



For Technical support visit us at www.sunsetter.com/ownerscorner
or call Toll Free 800-670-7071 • Fax 877-224-4944

Motorized Awning Lateral Arm Replacement *Helper Needed*

Tools Needed: Step ladder, 13mm wrench or socket, towel, 4mm Allen wrench.

Parts Supplied: (1) Lateral Arm (Left or Right), (2) Plastic safety sleeves.

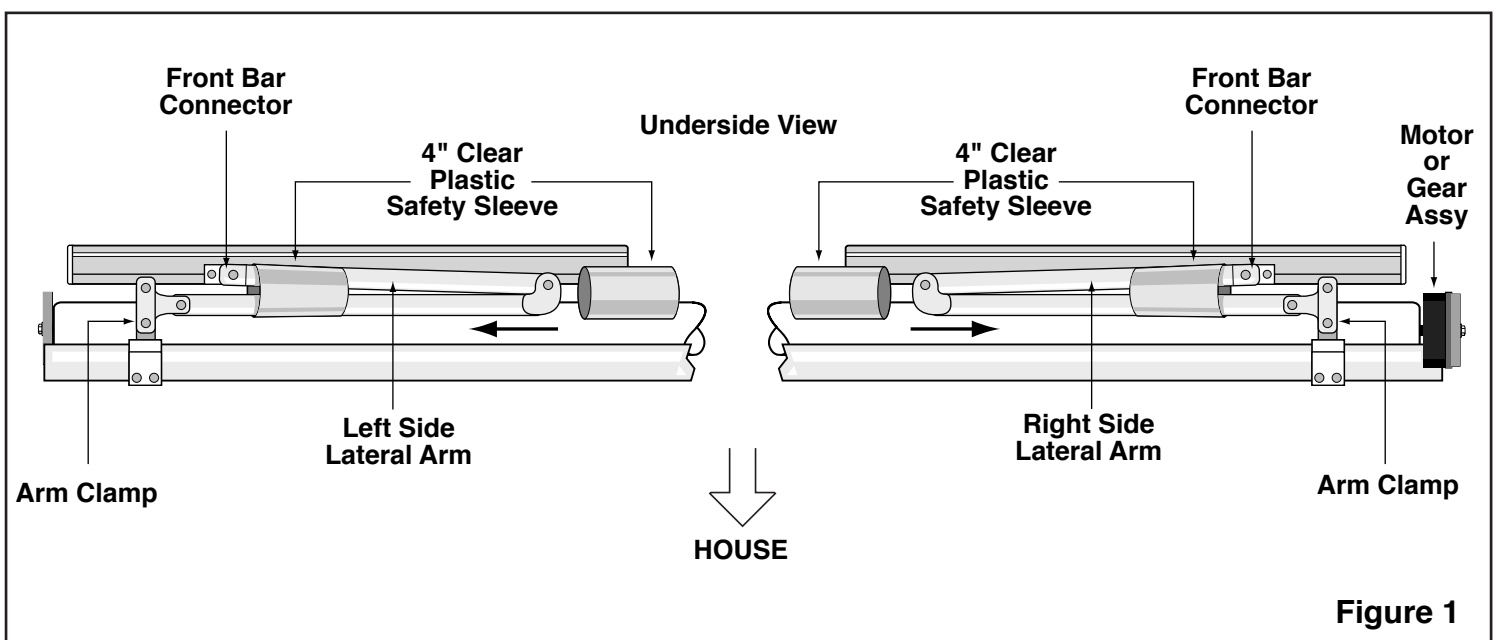
WARNING: Failure to follow these instructions can result in PERSONAL INJURY!! Please read these instructions in its entirety before attempting to complete this process.

PLEASE NOTE THAT LEFT AND RIGHT REFERENCES ARE AS YOU ARE FACING THE HOUSE.

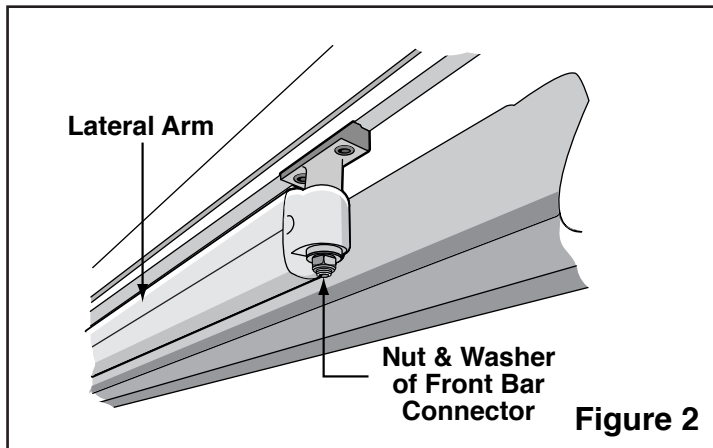
1. Make sure the awning is completely retracted against the house.
2. Motorized Models: Place the wall switch or remote transmitter button in the neutral position. Unplug the power cord from the wall outlet on your house.

WARNING: Failure to fully install the Safety Sleeves can result in PERSONAL INJURY!

3. Slide the supplied plastic safety sleeves on both arms until they contact the front bar connectors, see Figure 1.

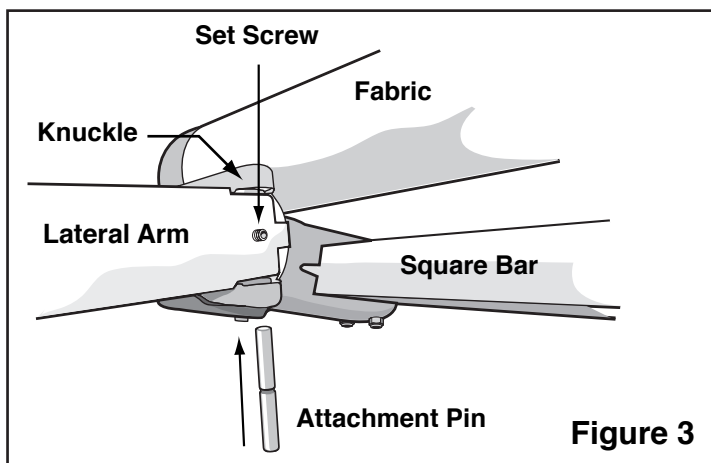


4. Using a 13mm wrench or socket remove the nut and washer on the front bar connector of the arm you are replacing - see Figure 2. Be sure to save the two white nylon bushings as you will reuse them later.



5. Separate the front bar from the end of the lateral arm by lifting the bar up. Place a towel over the threaded end of the front bar connector and tuck it between the roller bar and the wall of the house so that it won't slip and fall. If your soffit prevents you from doing so, have a helper hold the front bar while you continue with the following steps. Make sure that the threaded end of the front bar connector doesn't damage the fabric on the roller bar.

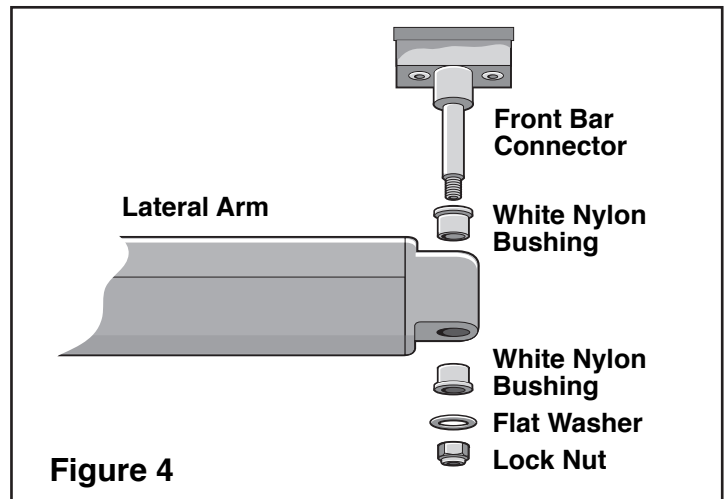
6. Swing the lateral arm away from the house and locate the 4mm Allen set screw on the inside of the arm clamp- see Figure 3. Using a 4mm Allen wrench, loosen the screw but do not remove. Slide the lateral arm attachment pin out of the knuckle of the arm clamp, save this pin for reuse later (you might need to shake the arm a little to release pressure from the pin). Separate the lateral arm from the arm clamp and place aside.



7. Position the new lateral arm inside the knuckle of the arm clamp and reinsert the attachment pin through the knuckle and the lateral arm end. Make sure that the attachment pin is centered in the knuckle and then tighten the 4mm Allen set screw.

8. Swing the lateral arm back towards the house, then place one of the white nylon bushings in the top hole where the front bar connector will be inserted-see figure 4.

9. Insert the threaded end of the front bar connector back into the end of the lateral arm, reinstall the other white nylon bushing, flat washer and lock nut. Tighten with the 13mm wrench or socket.



10. Carefully remove the two plastic safety sleeves from both lateral arms.

11. Plug the power cord back into the wall outlet on the house.

12. Test your awning for proper operation.

13. If needed, adjust the pitch or angle of your awning using the supplied instructions.

APPENDIX A - Changing the Pitch of Your Awning

Tools Needed: 6mm Allen wrench (included with Awning), step ladder(s), and a helper(s).

Follow these instructions to change the pitch or angle (see **Figure 12**) of your Awning.

Note: A Visual Guide is available on the Installation DVD and on the Owner's Corner.

1. Close the Awning.
2. Lift the Front Bar to remove pressure, and **tighten the 4 Allen cap bolts** in the Arm Clamp. See **Figure 12a**.

Note: If you have a 10' Awning, you may need to temporarily remove the Override Crank from the Motor or the Crank Loop from the Gear Unit to allow easy access to the Allen cap bolts. Simply reinstall the Override Crank or Crank Loop when you are done.

3. Open the Awning.
4. Loosen all 4 Allen cap bolts, **not more than one turn**. See **Figure 12a**.

To raise the Front Bar, complete steps 5 - 7:

WARNING: RAISING THE FRONT BAR WILL REDUCE THE PITCH (ANGLE) OF THE FABRIC THUS INCREASING THE RISK OF RAINWATER POOLING ON THE FABRIC. TO PREVENT THE AWNING FROM COLLAPSING DUE TO RAINWATER LOAD, YOU MUST RETRACT THE AWNING WHEN UNATTENDED. FAILURE TO DO SO COULD RESULT IN PERSONAL INJURY.

5. Lift the Front Bar and loosen Set Screw No. 1 until the Front Bar is above the desired height. See **Figure 12a**.
 6. While holding up the Front Bar above the desired height, tighten Set Screw No. 2. **Note:** Setting the Front Bar above the desired height allows room for settling when you release the Front Bar.
 7. Tighten Set Screw No. 1.
- Go to Step 10.**

To lower the Front Bar, complete steps 8 - 9:

8. Lift the Front Bar to remove pressure, and loosen Set Screw No. 2 until the Front Bar can reach the desired height. See **Figure 12a**.
 9. Tighten Set Screw No. 1.
- Go to Step 10.**

10. Let the Front Bar hang on its own.
11. Tighten all 4 Allen cap bolts. See **Figure 12a**.
12. Push the Front Bar down. If it moves from the desired height, repeat the steps above.

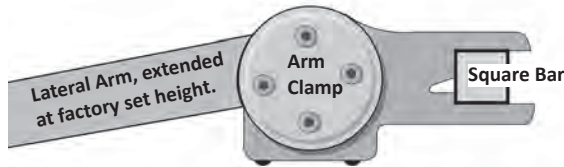
Note: Depending on the Awning size and model, the weight of the Front Bar varies (Example: Wider Awnings will have heavier Front Bars). This will impact how high you can raise the Front Bar, using the adjustment capabilities of the Arm Clamps. If you reach the maximum adjustment and are still not happy with the height of the Front Bar, you can shim the Wall Brackets upward to raise the Front Bar further. Make sure that all Wall Brackets are shimmed evenly.

Note: Depending on adjustments, the Open/Close position stops may need to be adjusted to correct any sagging that may occur to the Fabric. Follow the procedures in Appendix B to change these settings.

You are now done with the installation. If you purchased a Motorized Awning, plug the power cord into the (GFI) outlet and enjoy your Awning.

APPENDIX A - Changing the Pitch of Your Awning - Continued

Figure 12 Pitch is set at factory so Front Bar is 29" lower than the top of the Fabric on the Roller Bar.



Pitch raised to maximum height.

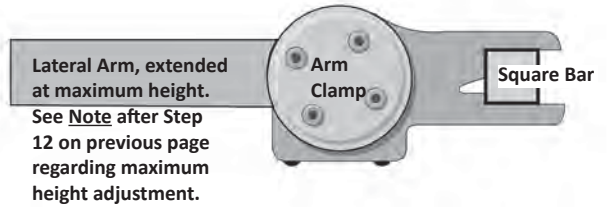


Figure 12a

