



For Technical Support visit us at ownerscorner.sunsetter.com
or Call Toll Free 800-670-7071 • Fax 877-224-4944

Gear Assembly Replacement Instructions for Manual Awnings * Helper needed *



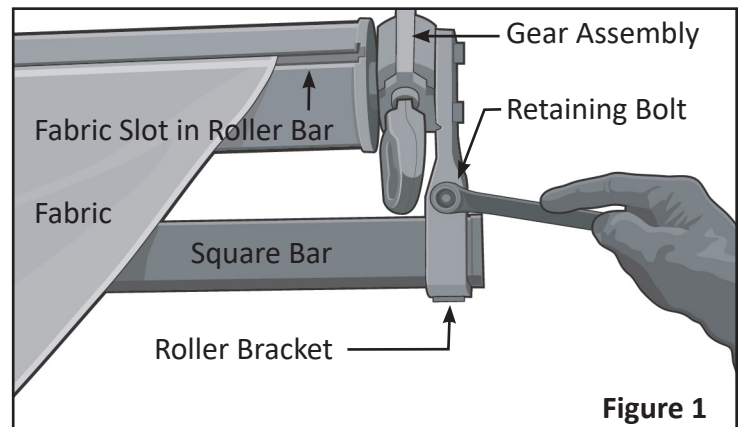
Tools needed: 13mm or ½” wrench, 10mm wrench,

Parts Supplied: Gear Assembly

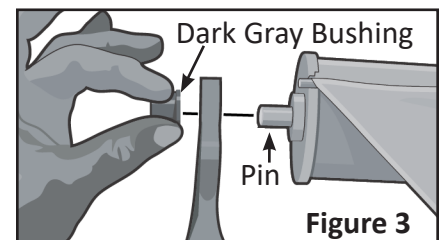
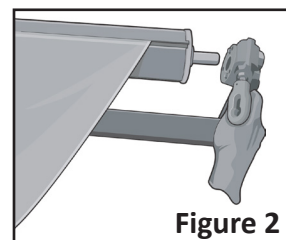
WARNING: FAILURE TO FOLLOW THESE INSTRUCTIONS CAN RESULT IN PERSONAL INJURY!!
PLEASE READ THESE INSTRUCTIONS IN ITS ENTIRETY BEFORE ATTEMPTING TO COMPLETE THIS PROCESS.

PLEASE NOTE THAT LEFT AND RIGHT REFERENCES ARE AS YOU ARE FACING THE HOUSE.

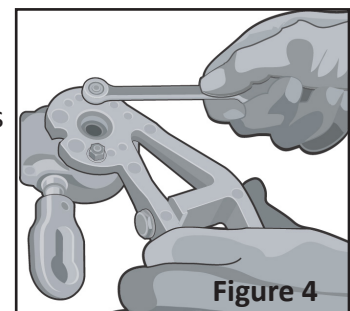
1. Open the Awning to the fully extended position.
2. Using the Manual Crank Wand, continue to unroll the Fabric until you expose the Fabric Slot in the Roller Bar. Remove the crank wand. See **Figure 1**.
3. While your helper supports the end of the Roller bar opposite the Gear Assembly, use a 13mm or ½”wrench to loosen the Retaining Bolt on the Roller Bracket that is connected to the Gear Assembly. See **Figure 1**.



4. While supporting both ends of the Roller Bar, remove the Gear Assembly/Roller Bracket from the Roller Cap and Square Bar. See **Figure 2**.
5. On the Roller Bar end that is opposite the Gear Assembly, move the Roller Cap out of the hole in the Roller Bracket. Do not lose the dark gray Bushing that is on the Pin End of the Roller Cap. See **Figure 3**.



6. Allow the Roller Bar, with the Fabric still attached, to slide down the Lateral Arms toward the Front Bar approximately 2-3 feet. The Awning Fabric will lie across the extended Lateral Arms. Have your helper support the Roller Bar on the Lateral Arms.
7. Using a 10mm wrench, loosen and remove the two bolts, washers and nuts that connect the Gear Assembly to the Roller Bracket. **NOTE: Observe the orientation of the gear assembly to the roller bracket.** See **Figure 4**.



8. Install the new Gear Assembly onto the Roller Bracket in the same orientation as noted in Step 7, using the two bolts, washers and nuts removed in **step 7**.
9. Slide the Roller Bar and Fabric up toward the Square Bar. While your helper supports the Roller Bar, install the Roller Bracket attached to the Gear Assembly onto the Square Bar.

10. On the side opposite the Gear Assembly, have your helper place the Dark Gray Bushing over the Pin on the end of the Roller Cap and insert the Roller Cap and Bushing into the hole in the Roller Bracket. See **Figure 5**.

11. While your helper checks that there is no gap between the Roller Bracket and the Roller Cap in the Roller Bar (see **Figure 5**), tighten the Retaining Bolt on the Roller Bracket attached to the Gear with a 13mm or ½" wrench.

WARNING: DO NOT OVERTIGHTEN THIS BOLT. OVER TIGHTENING THIS BOLT CAN CRACK THIS STRUCTURAL BRACKET AND CAUSE THE ROLLER BAR AND FABRIC TO BE SEPARATED AND FALL FROM THE AWNING ASSEMBLY! See **Figure 6**.

12. Center the Fabric on the Roller Bar and on the Front Bar.

13. While keeping the Fabric reasonably stretched on the Roller Bar, use the Manual Crank Wand to slowly roll the Fabric onto the Roller Bar, until the Awning is fully closed.

14. Test the Awning for proper operation.

