



For technical support visit us at [www.sunsetter.com/ownerscorner](http://www.sunsetter.com/ownerscorner) or call 800-670-7071, fax 877-224-4944.

## Patio Lights Installation Instructions

**Parts Supplied:** Patio Light Assembly, (6) Globes, (6) Hanger Tabs, (6) Fabric Attachment Button Assemblies.

**NOTE: THE STEPS BELOW DESCRIBE HOW TO SETUP THE PATIO LIGHTS FOR USE WITH A SUNSETTER AWNING. THE PATIO LIGHTS CAN ALSO BE ATTACHED TO ANY OTHER TYPE OF STRUCTURE USING THE HOOKS AT THE TOP OF EACH GLOBE HOUSING.**

PLEASE NOTE THAT LEFT AND RIGHT REFERENCES ARE AS YOU ARE FACING THE HOUSE.

**For use WITHOUT a front Screen Room or Weather Breaker Panel installed.**

**CAUTION: FAILURE TO WEAR SAFETY GLASSES OR TO FOLLOW THE INSTRUCTIONS BELOW CAN RESULT IN PERSONAL INJURY!**

**STEP 1.** Roll the awning out and set it up as your normally would.

**STEP 2.** Locate the (6) patio light hooks and install hand tight in the top of each light assembly (See Figure 1).

**STEP 3.** Install a standard light bulb (60 watt maximum) in each of the six sockets.

**STEP 4.** Remove the globes from the plastic bags and screw them onto the socket assemblies.

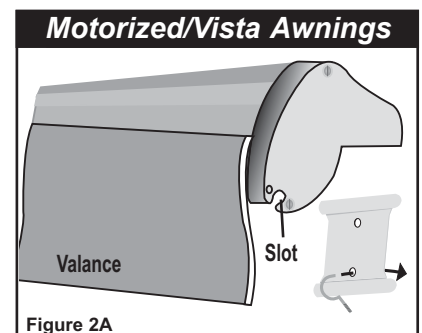
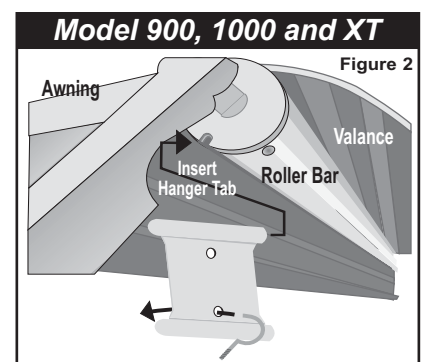
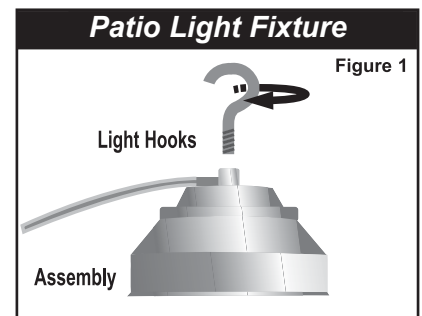
**STEP 5. Model 900 and 1000 awnings:** At the left end of the awning, slide the thick part of the six hanger tabs into the slot that holds the pull strap (See Figure 2).

**Model 900XT 1000XT:** At the left end of the awning, rotate the left end cap to align with the accessory slot in the roller bar. Slide the thick part of the six hanger tabs into the accessory slot (See Figure 2).

**Motorized and Vista Awnings:** Slide the thick part of the six hanger tabs into the unused slot on the front bar (See Figure 2A).

**STEP 6.** Attach the hooks on the top of each light assembly into the bottom hole of each hanger tab.

**STEP 7.** Slide the hangers to adjust the spacing between the SunSetter Patio Lights. Proceed to STEP 10.



**For use WITH a front Screen Room purchased BEFORE January 1, 2006  
or Weather Breaker Panel installed.**

Complete steps 1-4, previously mentioned on the first page.

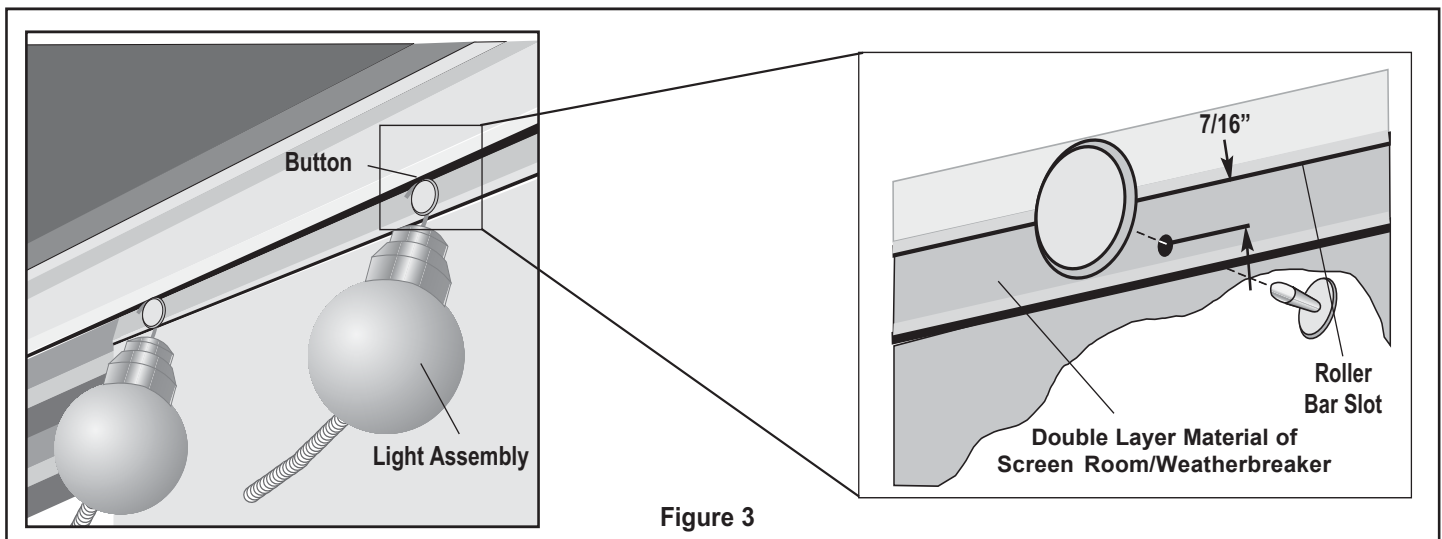
**STEP 5a.** Remove the 6 cream-color buttons and attaching pins from the plastic bag.

**Model 900 and 1000 awnings only:**

**CAUTION: DO NOT INSTALL THE BUTTON ASSEMBLIES TOO CLOSE TO THE ROLLER BAR. IF INSTALLED TOO CLOSE, THE INSTALLED BUTTONS ON THE PANEL MAY GET CAUGHT ON THE LEFT ROLLER END CAP AS YOU REMOVE THE PANEL FROM THE ROLLER BAR. THE BUTTON ASSEMBLIES, ONCE INSTALLED, ARE NOT DESIGNED TO BE DISASSEMBLED AND REUSED. AFTER BUTTONS HAVE BEEN PERMANENTLY INSTALLED ON THE FRONT PANEL, USE CAUTION WHEN SLIDING THE PANEL OUT OF THE SLOT ON ROLLER BAR AS NOT TO CATCH IT ON THE ROLLER END CAP.**

For all models:

**STEP 6a.** With the front panel installed, determine the desired location and spacing of each Patio Light. Measure down  $7/16$ " from roller bar and insert the attaching pin from the outside of the panel through both layers of the overlapping fabric (See Figure 3). Install one of the cream colored buttons over the protruding end of the attaching pin and snap them together. Repeat this process with the remaining 5 button assemblies.



**STEP 7a.** Place the hook on the top of each Patio Light over the installed button. Proceed to STEP 10.

**For use WITH installed Screen Room purchased  
AFTER January 1, 2006.**

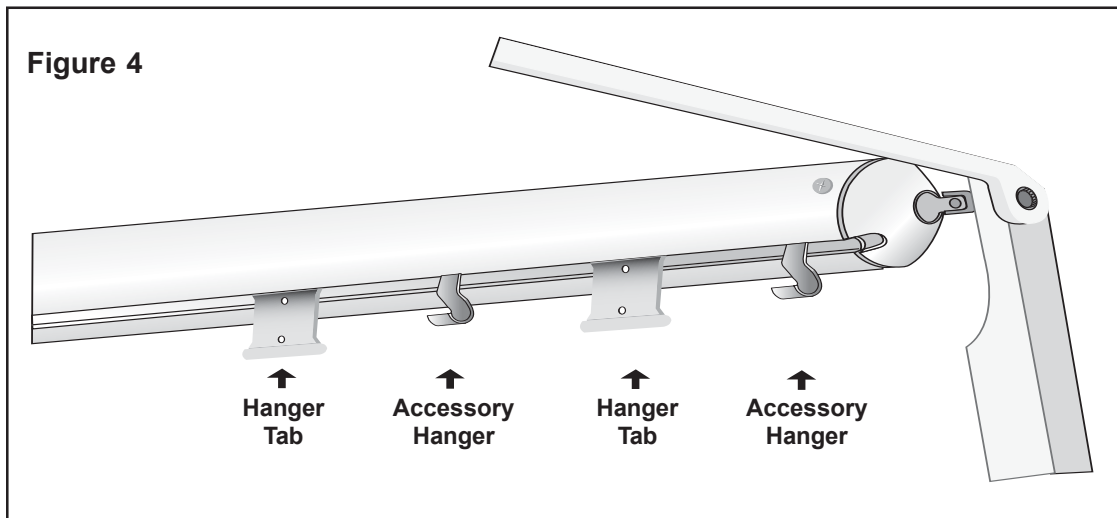
Complete steps 1-4, previously mentioned on the first page.

**STEP 5b.** Remove the small loop of bungee cords from the accessory hangers installed in the accessory slot of the roller bar.

**NOTE: TAKE A MOMENT TO REVIEW THE NUMBER AND LOCATION OF THE ACCESSORY HANGERS THAT ARE INSTALLED IN THE ACCESSORY SLOT. YOU WILL BE INSTALLING THE SIX HANGER TABS INTO THE ACCESSORY SLOT BETWEEN THE ACCESSORY HANGERS TO ALLOW YOU TO ADJUST THE SPACING OF THE PATIO LIGHTS ALONG THE LENGTH OF THE ROLLER BAR (SEE FIGURE 4).**

**STEP 6b.** Model 900 and 1000 awnings: At the left end of the awning, remove the accessory hangers. Install the hanger tabs and accessory hangers in sequence to allow proper spacing of the patio lights by sliding the thick part of the hanger tabs into the slot that holds the pull strap, and by sliding the accessory hangers with the opening in the hook facing towards the house (See Figure 4).

Model 900XT and 1000XT: At the left end of the awning, rotate the left end cap to align with the accessory slot in the roller bar. Remove the accessory hangers. Install the hanger tabs and the accessory hangers in sequence to allow proper spacing of the patio lights by sliding the thick part of the hanger tabs into the accessory slot, and by sliding the accessory hangers with the opening in the hook facing towards the house (See Figure 4).



**STEP 7b.** Attach the hooks on the top of each light assembly into the bottom hole of each hanger tab.

**STEP 8.** Place the small loop of the bungee over the accessory hangers and tighten the bungee cord by depressing the cord lock and pulling the cord tight.

**STEP 9.** Slide the hangers to adjust the spacing between the patio lights.

**STEP 10.** CONNECT YOUR SUNSETTER PATIO LIGHTS TO A GROUND FAULT CIRCUIT INTERRUPTER PROTECTED RECEPTACLE ONLY. DO NOT PLACE WITHIN (16) FEET OF A POOL.

**IMPORTANT SAFETY INSTRUCTIONS:**

This lamp has a polarized plug (one blade is wider than the other) as a feature to reduce the risk of electric shock. This plug will fit in a polarized outlet only one way. If the plug does not fit into the outlet, reverse the plug. If it still does not fit, contact a qualified electrician. Never use with an extension cord unless the plug can be fully inserted. DO NOT ALTER THE PLUG.