



Manual EasyShade Platinum

INSTALLATION & OPERATION

For Technical Support:

[HTTPS://SUPPORT.SUNSETTER.COM](https://support.sunsetter.com)

E-MAIL CONTACTUS@SUNSETTER.COM

CALL TOLL FREE 800-670-7071



WARNING

**FAILURE TO FOLLOW THESE INSTRUCTIONS COULD RESULT
IN SERIOUS PERSONAL INJURY, INCLUDING DEATH.**

Index

Installation	4-9
Parts Supplied	4
Tools Needed	4
Mark Install Location	5
Mount Brackets	6
Mount Shade	7
Shade Removal	8
Install Chain Guide	8
Install Hold-Down Brackets	9
Operation	9
Care and Maintenance	10
Troubleshooting	11
Warranty	11



Congratulations

You have just purchased a Manual EasyShade Platinum. This EasyShade saves energy by stopping the glare and heat before it can enter your home, yet still lets you enjoy your view.

CUSTOMER SUPPORT

Our technical experts are available via email at contactus@sunsetter.com or call us at **800-670-7071** should you require assistance. We also invite you to visit the Owner's Corner at <http://ownerscorner.sunsetter.com> for additional information on your Manual EasyShade Platinum. You may need to register your purchase by calling 800-670-7071. Please be prepared to provide the size (width and height) of the EasyShade, chain side (left or right), color of cassette, color of fabric panel, and date of purchase.



Pre-Installation Notes

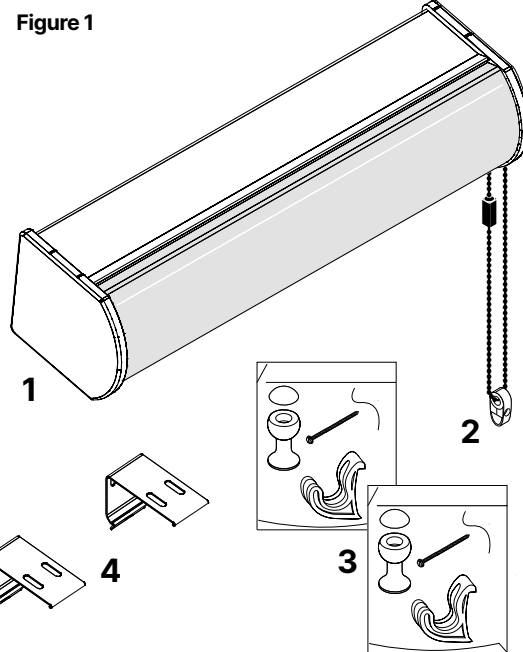
1. Determine the mounting location of the Manual EasyShade Platinum.
2. For Top Mounts, ensure there will be 1/2" spacing between the window and the back of the bracket.
3. For Wall Mounts, ensure there will be 3/8" clearance above the bracket.
4. Use a stud finder to locate solid area to mount installation brackets.
5. Installation of manual shades may require 2 people.
6. Never install exterior shades in windy conditions.
7. The screws provided for installation are for mounting in wood. For mounting in materials other than wood, please consult with a qualified contractor.
8. All exterior shades must be fully raised in wind and inclement weather.



Everything needed to install your shade

MANUAL EASYSHADE PLATINUM

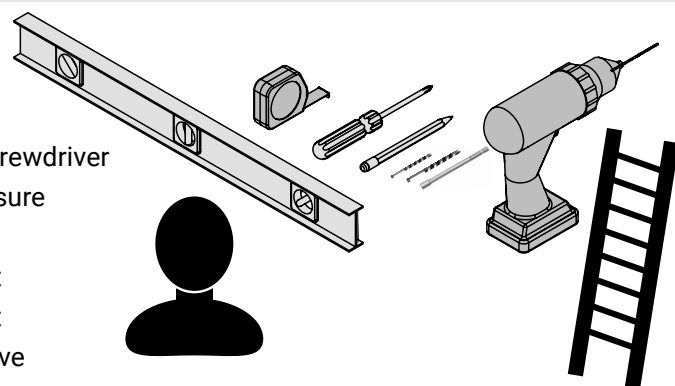
- 1 Manual EasyShade Platinum
- 2 Chain Guide
- 3 Hold-down Hook, Pin and Pin Cap
- 4 Cassette Brackets & Fasteners



Cassette Bracket Fastener Chart		
Ordered Width	Bracket Qty.	Fastener Qty.
up to 36"	2	4
36 1/16" to 60"	3	6
60 1/16" to 84"	4	8
84 1/16" to 108"	5	10
108 1/16" to 132"	6	12
132 1/16" to 144"	7	14

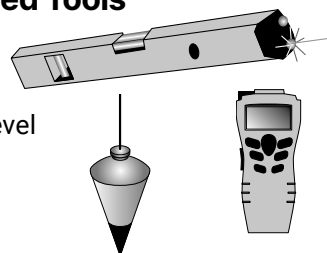
Tools Needed

- Helper
- Ladder
- Level
- Phillips Screwdriver
- Tape Measure
- Pencil
- 1/16" Drill Bit
- 3/16" Drill Bit
- 1/4" Hex Drive



Recommended Tools

- Laser Level
- Stud Finder
- Plumb Bob Level

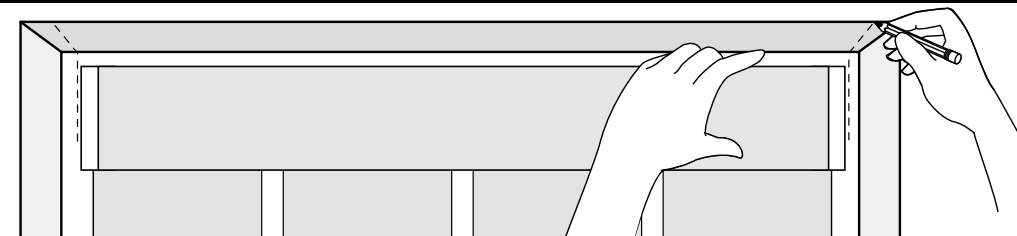


1

Mark location at edge of shade

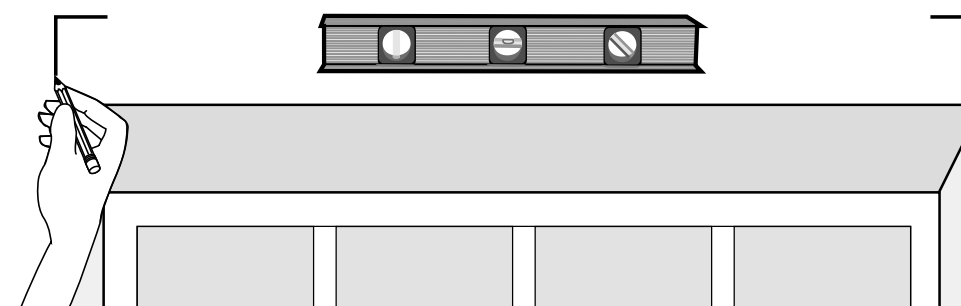
Inside Mount

Figure 2



Outside Mount

Figure 3



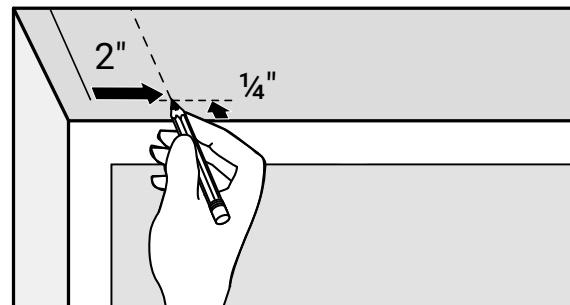
Center over window

Tip: Tie string across end brackets to align center brackets.

2 Mark bracket locations

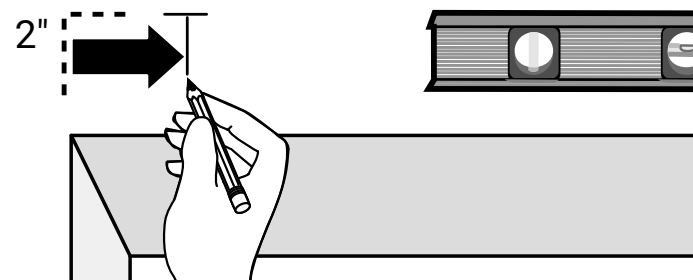
Inside Mount

Figure 4



Outside Mount

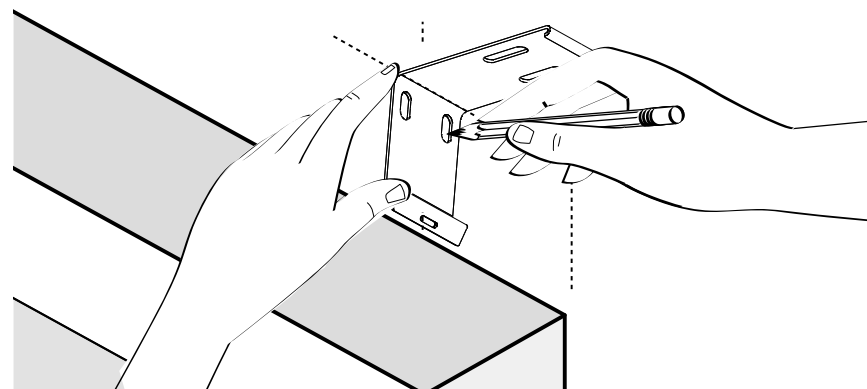
Figure 5



Mark 2" from edge of shade and mount flush with window or wall. Space additional brackets equally. Ensure 1/4" clearance between bracket and window.

3 Mark screw locations

Figure 6



4 Drill holes and mount brackets

Figure 7

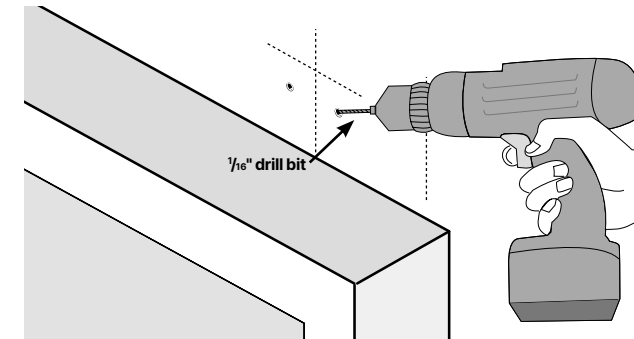
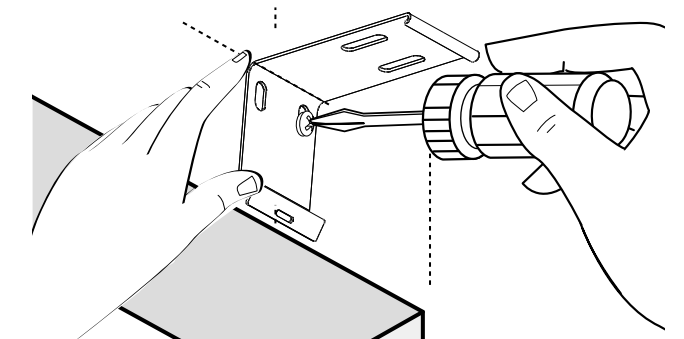


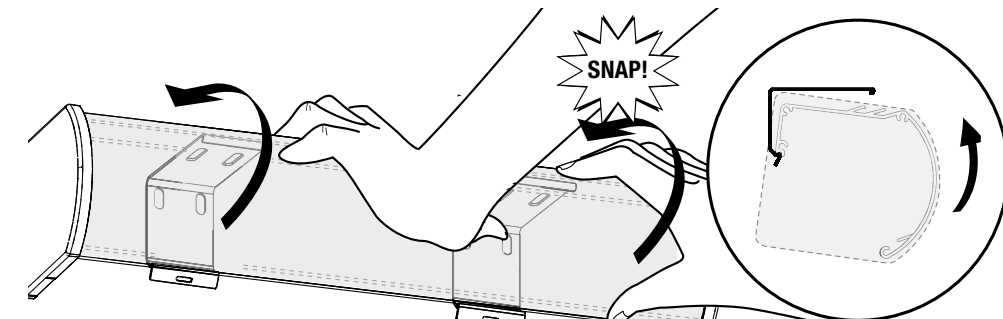
Figure 8



5 Mount shade in brackets

Inside Mount

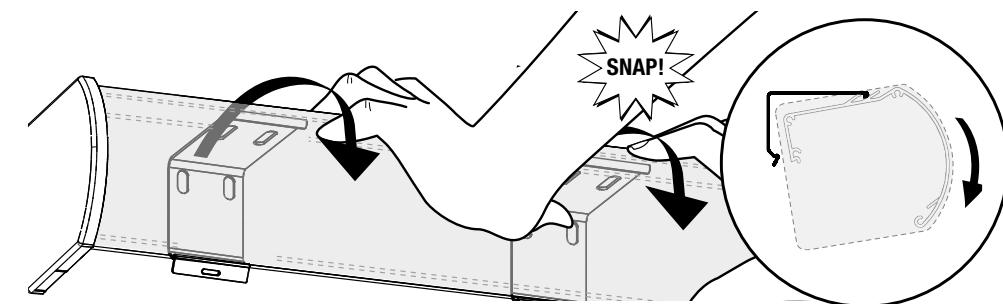
Figure 9



Place bottom groove of cassette into bracket lip and push. Snap into place.

Outside Mount

Figure 10



Place top groove of cassette into bracket lip and push. Snap into place.

→ Shade removal

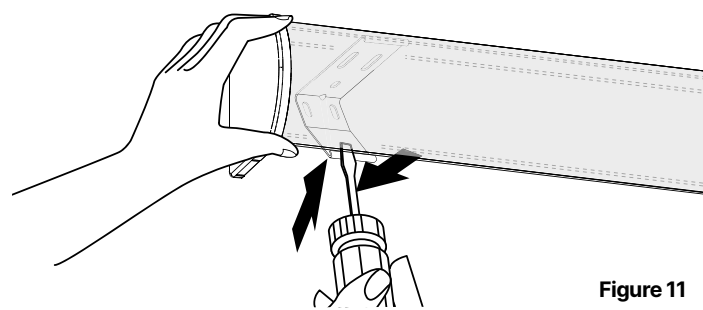


Figure 11

To remove shade from brackets, place a flathead screwdriver between bracket and cassette to release cassette and rotate. This may require pressure.

→ Install chain guide

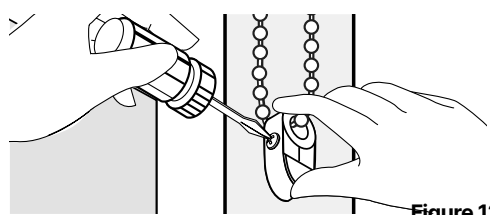


Figure 12

Mount chain guide on the wall or window frame, leaving some slack in the chain.

6 Install hold-down bracket

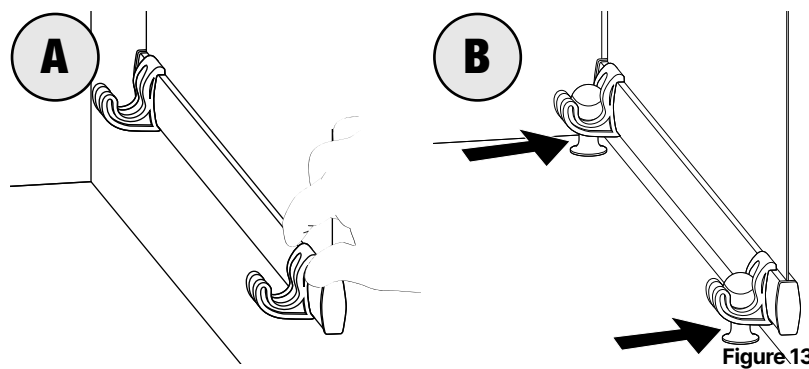


Figure 13

1. Install hold down hook on each end of the hembar
2. Lower shade
3. Position to mount the pins on back or base of structure. Drill and screw hold-down pins in place
4. Fit pin cap into top of pin

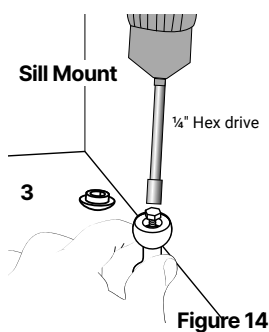


Figure 14

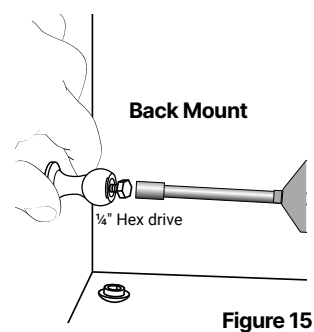


Figure 15

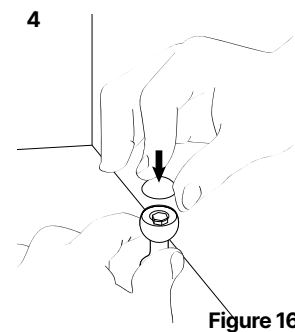


Figure 16

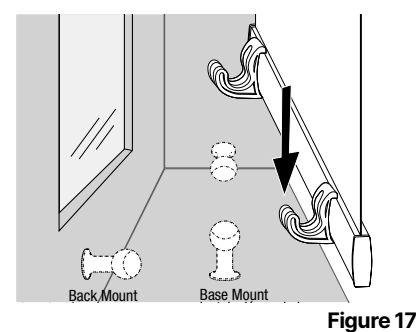


Figure 17

→ Shade operation

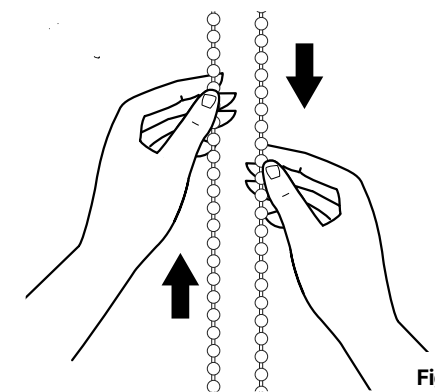
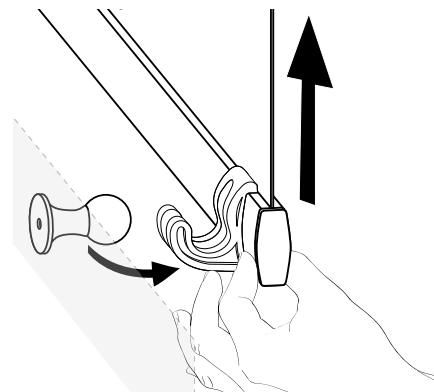


Figure 18

Disengage shade from hold downs before raising the shade.
Pull cord in front to raise shade; pull cord in back to lower shade.

→ Hold-down operation

Engage Hold-Down

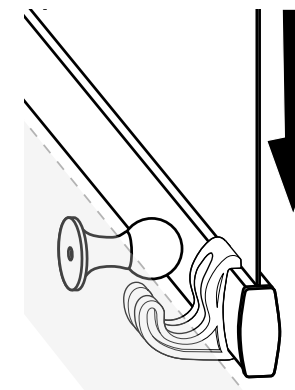


Figure 19

Lower shade until hook drops below pin.

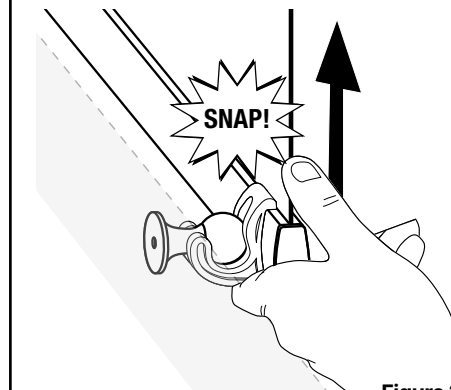


Figure 20

Push hook into pin to snap in place.

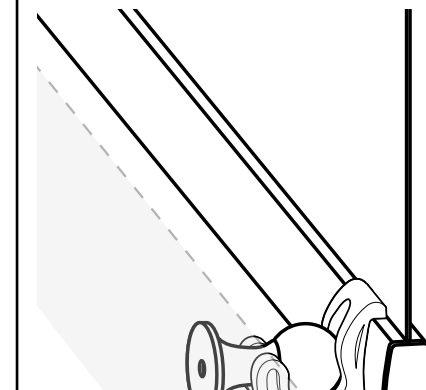


Figure 21

Disengage Hold-Down

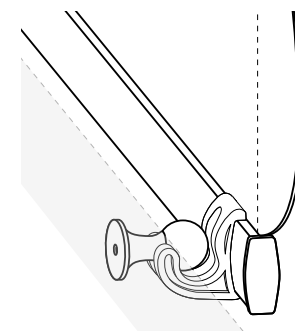


Figure 22

Loosen shade by pulling cord.

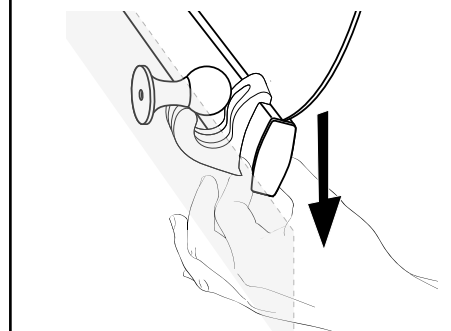


Figure 23

Pull hembar down.

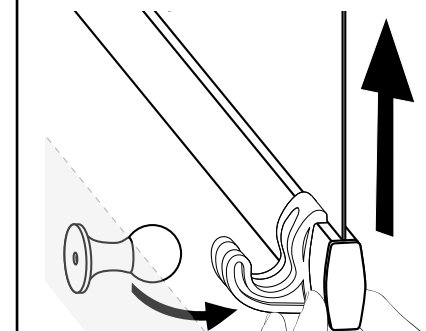


Figure 24

CAUTION

RAISE SHADE IN WINDS EXCEEDING A MODERATE BREEZE (13–18 MPH: SMALL TREE BRANCHES MOVE, DUST IS PICKED UP FROM THE GROUND SURFACE) SHADE OR HOUSE DAMAGE COULD OCCUR IF LEFT ENGAGED IN EXCESSIVE WIND. RAISE SHADE FULLY IN INCLEMENT WEATHER: RAIN, ICE, SNOW, SLEET OR WIND.

CARE AND MAINTENANCE

Fabric:

To clean the EasyShade, sponge the fabric with a solution of 1 cup of mild detergent, 1 cup of liquid bleach to 3 gallons of warm water. Protect furnishings, trims, and plant materials that could be damaged or harmed by the soap or bleach. Rinse fabric thoroughly with clear clean water and allow to air dry completely before raising the shade. Treat stains as soon as possible. Do not use abrasive household cleaners, or solvent or petroleum based cleaners.

Cassette:

Wash outside of the cassette, as needed, with a soft brush and mild detergent. Rinse and allow to dry completely before raising the shade. Do not spray water into the cassette or on the roller assembly as this may damage the lift mechanism. Pressure washers are not recommended.

Lubrication is not needed on your EasyShade. We do not recommend the use of oil or silicone-based lubricants as they may stain the fabric or trap dirt.



TROUBLESHOOTING

Problem with Appearance	Solution
Fabric rolls up unevenly or pulls to one side when the EasyShade is being closed.	Check the cassette to ensure it is mounted level on the mounting surface.
The shade does not fully raise.	If the shade does not fully raise: <ol style="list-style-type: none">1. Raise the shade as far as the chain will allow.2. Remove the shade's roller assembly from the cassette.3. Roll the shade up completely by hand and reinstall.
The shade does not fully lower.	If the shade does not fully lower: <ol style="list-style-type: none">1. Lower the shade as far as the chain will allow.2. Remove the shade.3. Lower to correct window length by hand and reinstall.



LIMITED WARRANTY INFORMATION

You can view our Limited Warranty at www.sunsetter.com by clicking the link to Warranty Information at the bottom of the page.

You may also request a copy of our Limited Warranty by emailing us at contactus@sunsetter.com, writing us at **7945 Graber Rd Middleton, WI 53562**, and/or calling us Toll Free at **800-670-7071**.

Thank you for choosing SunSetter.