



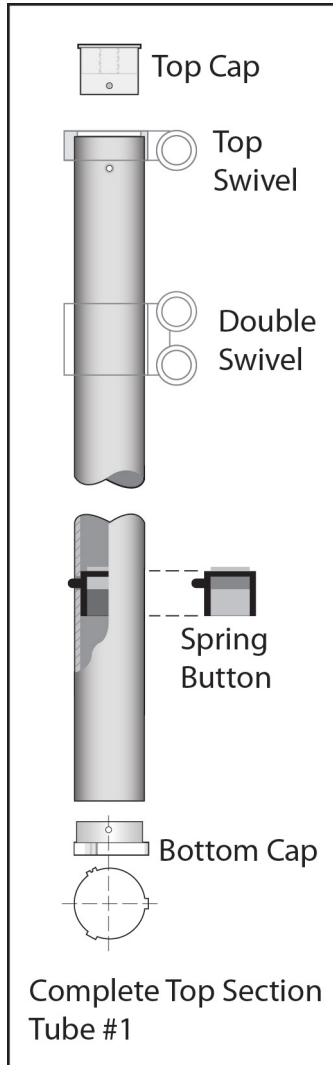
## TELESCOPING FLAGPOLES

For Technical Support visit us at [www.sunsetter.com/ownerscorner](http://www.sunsetter.com/ownerscorner)  
or Call Toll Free 800-670-7071 • Fax 877-224-4944

### Top Cap Replacement Instructions

**Tools Needed: Phillips Screwdriver**

**Parts Supplied: Top Cap, Mounting Screws (qty 2)**



1. Remove the Gold Ball by loosening the gold nut and unscrewing the Gold Ball.
2. Remove the two Top Cap mounting screws and remove the plastic Top Cap (the piece that the Gold Ball screws into.)
3. Separate the Top Cap from the Top Swivel. Note the orientation of the Swivel.
4. Slide the Top Swivel onto the new Top Cap with the correct orientation, with the lip towards the top of the pole.
5. Slide the Top Cap assembly onto the pole and align the two holes in the Top Cap with the two holes in the Tube.
6. Install the two screws. **DO NOT** over tighten the screws as this may keep the Top Swivel from working smoothly.
7. Test the Flagpole for proper operation.