



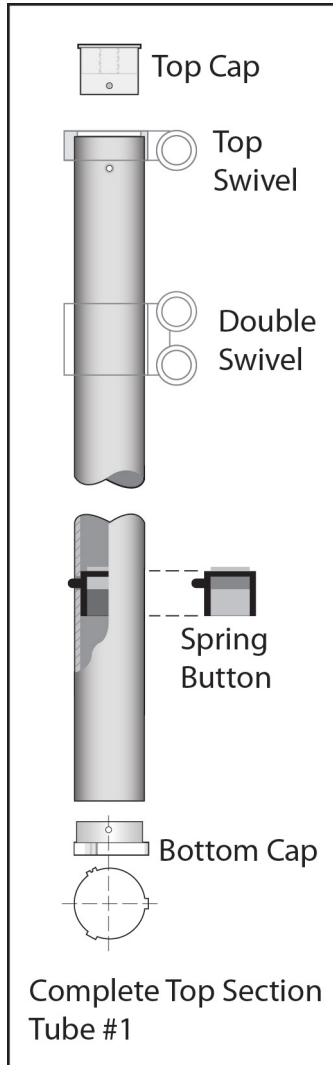
TELESCOPING FLAGPOLES

For Technical Support visit us at www.sunsetter.com/ownerscorner
or Call Toll Free 800-670-7071 • Fax 877-224-4944

Top Swivel Replacement Instructions

Tools Needed: Phillips Screwdriver

Parts Supplied: Mounting Screws (qty 2), Top Swivel Assembly



1. Remove the two Top Cap mounting screws and remove the Top Cap (the piece that the Gold Ball screws into.)
2. Separate the Top Cap from the Top Swivel. Note the orientation of the Swivel.
3. Slide the new Top Swivel onto the Top Cap with the correct orientation, with the lip towards the top of the Pole.
4. Slide the Top Cap assembly onto the Pole and align the two holes in the Top Cap with the two holes in the Tube.
5. Install the two screws. DO NOT over tighten the screws as this may keep the Top Swivel from working smoothly.
6. Test the Flagpole for proper operation.