

SunSetter[®]

PRODUCTS L.P.

184 Charles Street • Malden, MA 02148 • 781-321-9600 • Fax 781-321-8650

SunSetter Window Awning

Helper Needed

Tools Needed: Electric Drill, 13/64" Drill Bit, 1/8" Drill Bit, Pencil, Philips Screwdriver, Tape Measure, Level, 3/8" Socket and 3" extension, 5mm Allen Wrench, 3/16" Masonry drill bit, 1/4" Masonry drill bit, 5/16" Masonry drill bit, Hammer

Additional Tool Needed If Inside Operation of Window Awning is Planned: 1/4" x 6" Drill Bit (or longer as needed for your outside wall thickness)

Parts Supplied: Hood Unit, Front Bar, 2 Arms, 2 Arm Bracket Covers, 1 Cord Cleat, 1 Cord Pulley, 1 Feed thru Bushing, 2 Hook Screws (1/4" x 1 3/4"), 2 Hex Bolts (1/4" x 2"), 2 Washers (1/4"), 4 Pan-Head Screws (#8 x 1- 1/2"), 4 Flat-Head Screws (#8 x 1"), 6 Plastic Wall Anchors

WARNING: FAILURE TO FOLLOW THESE INSTRUCTIONS CAN RESULT IN PERSONAL INJURY! PLEASE READ THESE INSTRUCTIONS IN THEIR ENTIRETY BEFORE ATTEMPTING TO COMPLETE THIS PROCESS.

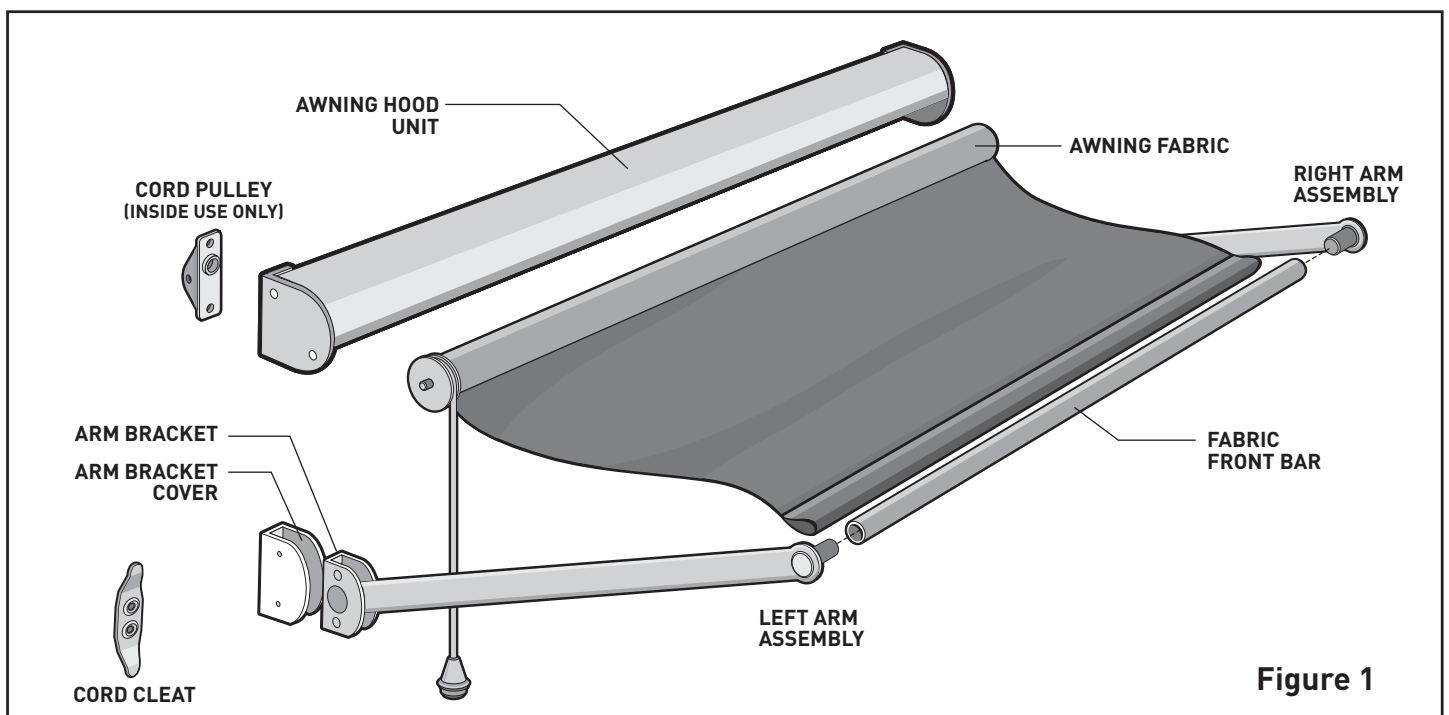
PLEASE NOTE THAT LEFT AND RIGHT REFERENCES ARE AS YOU ARE FACING YOUR MOUNTING LOCATION.

The SunSetter Window Awning can be operated from either inside or outside your home. You will need 4-1/2" of unobstructed vertical space along the wall for the entire length of your awning.

NOTE: For inside operation, a hole will be need to be drilled through the wall on the left side of the Hood Unit. **When determining the mounting location of your Window Awning it is important to ensure that there will be no obstruction on the inside of the wall for the Pull Cord drill hole.**

Before Starting please familiarize yourself with the components of the awning as shown in figure 1.

NOTE: Be sure to use the actual Hood Unit as the template for locating the hole locations for the Hex Bolts and Hook Screws.



1. Determine the desired location of your window awning and have a helper hold the Hood Unit in position while you ensure it is level. Once level, use a pencil to mark the outline of the slot in the Left and Right Wall Bracket, as shown in Figure 2 and 2a. Remove the Hood Unit from the wall.

2. Starting at the top of either of the outlined slots you made in step 1, with a plumb straight edge, draw a line down the center of each slot from top to bottom as shown in Figure 2a. Repeat for the other side of the awning.

3. Starting on the Left side. From the top of the outlined slot, measure down the center line 1/4" and mark the location of the left side Hook Screw hole. Repeat for the right side. (See Figure 2a).

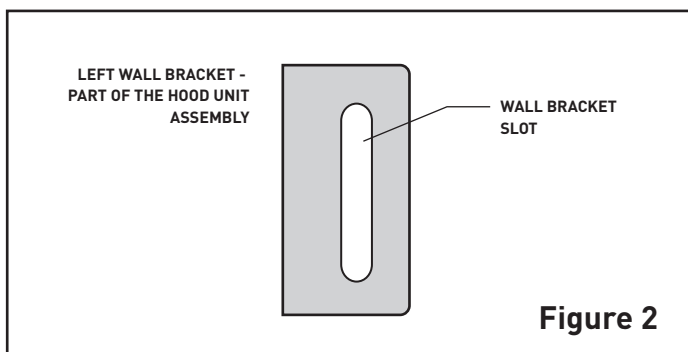


Figure 2

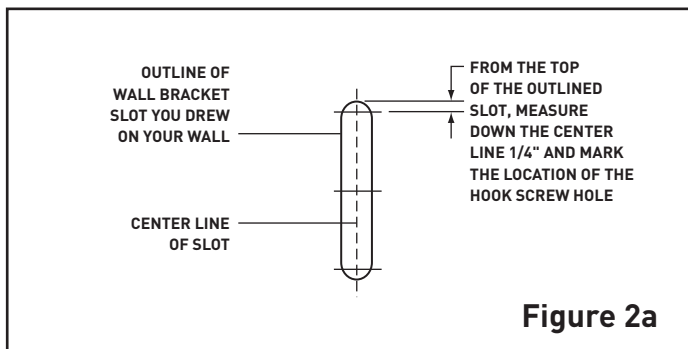


Figure 2a

4. Starting on the Left side. From the bottom of the outlined slot, measure up the center line 1/4" and mark the location of the left Hex Bolt hole. Repeat for the right side. (See Figure 2b).

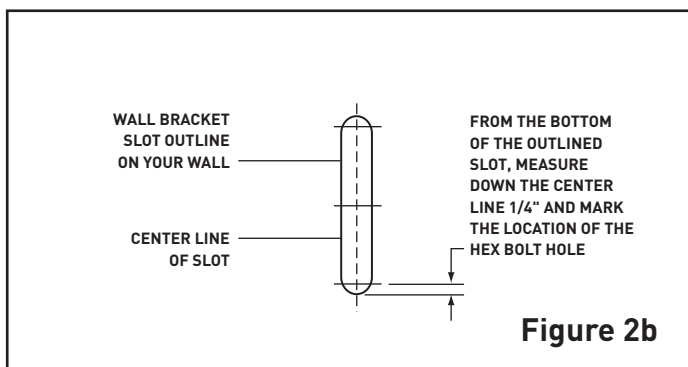


Figure 2b

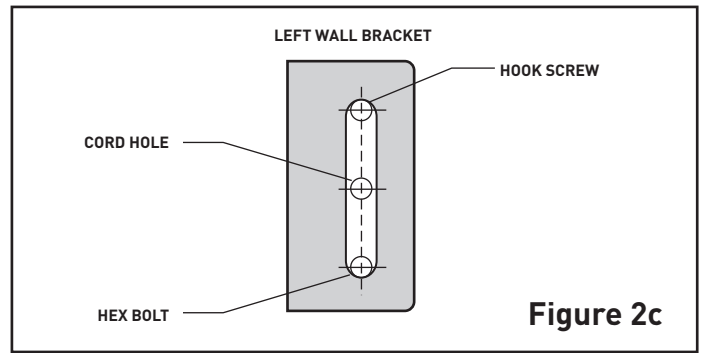


Figure 2c

5. If you plan on operating your Window Awning from inside your home, on the **left side only** of the mounting location, measure the distance from the center of the Hex Bolt location to the center of the Hook Screw location and make a new mark for the Cord Hole on the center line half way between these two points, as shown in figure 2c.

NOTE: If installing Window Awning on wood frame walls w/wood, vinyl, stucco or aluminum siding, proceed with steps 6a and 7a. If installing Window Awning into masonry, brick or concrete walls, proceed to steps 6b and 7b.

Wood frame walls w/wood, vinyl, stucco or aluminum siding.

6a. Using a 13/64" drill bit, pre-drill holes at both left and right locations for the Hook Screws as shown in Figure 2a. Install a Hook Screw into each of the Hook Screw locations. Be sure to leave 1/4" of the Hook Screw exposed between the wall and the hooked end of the Hook Screw, see Figure 3.

7a. Install the Hood Unit onto the Hook Screws and ensure it is level. Once level, double check the locations of the Hex Bolt marks, making new marks if needed. Once final Hex Bolt locations are determined, **remove** the Hood Unit and use a 13/64" drill bit to pre-drill holes in both left and right locations for the Hex Bolts as shown in Figure 2b. **Do not** install Hex Bolts at this time.

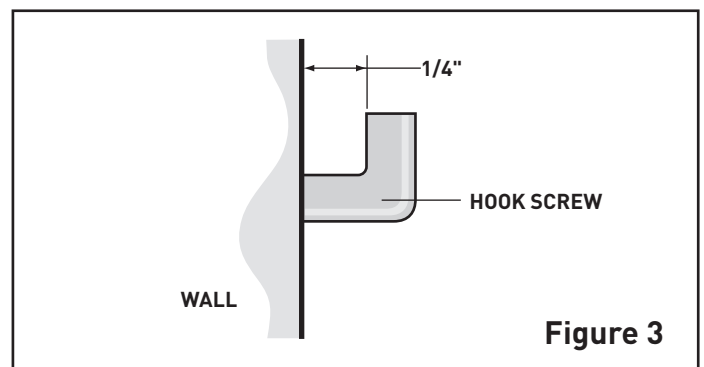


Figure 3

Masonry, brick or concrete walls.

6b. Using a 3/16" masonry drill bit. Pre-drill pilot holes 1-3/4" deep into the walls at both the left and right locations for the Hook Screws as shown in Figure 2a. With a 5/16" masonry drill bit, enlarge the holes 1" deep. Insert plastic masonry anchors into the holes, large side out. Install the Hook Screws into the Hook Screw locations. Be sure to leave 1/4" of the hook screw exposed between the wall and the hooked end of the Hook Screw, see Figure 3.

7b. Install the Hood Unit onto the Hook Screws and ensure it is level. Once level, double check the locations of the Hex Bolt marks, making new marks if needed. Once final Hex Bolt locations are determined, **remove** the Hood Unit and using a 3/16" masonry drill bit, pre-drill pilot holes 1-3/4" deep into the walls at both the left and right locations for the Hex Bolts as shown in Figure 2b. With a 5/16" masonry drill bit, enlarge the holes 1" deep. Insert plastic masonry anchors into the holes, large side out. **Do not** install Hex Bolts at this time.

8. If awning is to be operated from **INSIDE** the home, refer to Inside Operation on Page 4. If **OUTSIDE** operation, continue to Step 9.

9. Install the Hood Unit onto Hook Screws and ensure it is level.

NOTE: It is Important that you check the clearance between the wall bracket and the end of the hook screws, you want the wall bracket to fit snugly against the end of each hook screw. If you can slide the wall bracket back and forth on the hook screw, remove the Hood Unit and tighten the hook screw one full turn. Install the Hood Unit and check the clearance again. Repeat this procedure until wall brackets fit snugly against the hook screws.

10. With Hood Unit level, install the Hex Bolts and washers into the Hex Bolt locations on both the left and right side of the awning using a 3/8" socket with 3" or greater extension.

11. Insert the Front Bar into the open end of the fabric and center so that an equal amount of the bar is exposed on either end. Allow the fabric to completely unroll.

12. To determine the location for the Arm Bracket measure down 24" from the bottom edge of each Hood Unit Wall Bracket and mark the horizontal as shown in Figure 4.

13. Using a straight edge aligned with the edge of the Hood Unit, ensure the straight edge is level and mark the vertical where it crosses the horizontal as shown in figure 4. Repeat for both sides of awning.

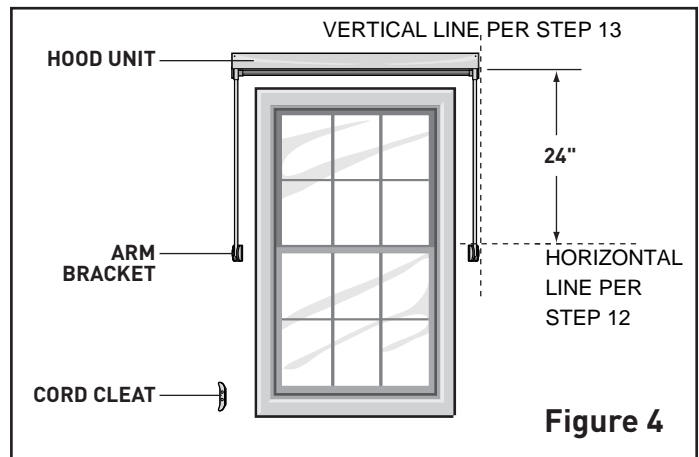


Figure 4

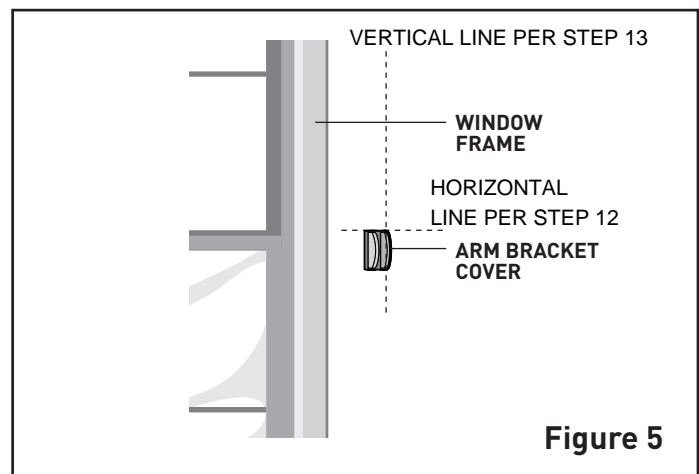


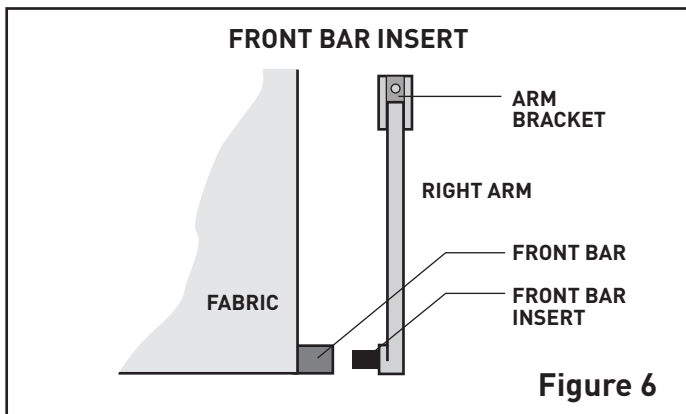
Figure 5

14. Align the Arm Bracket Cover within the horizontal and vertical as shown in Figure 5. Ensure the Cover is plumb and mark both hole locations. For wood, vinyl, stucco or aluminum siding, remove the Arm Bracket Cover and pre-drill both hole locations with a 1/8" drill bit. For Brick or concrete walls, using a 1/4" masonry drill bit, drill holes approximately 1-1/2" deep. Insert plastic wall anchors into holes, and using a hammer, tap flush with the surface of the concrete. Repeat for the other side of awning.

15. Slide the Arm Bracket Cover over the Arm Bracket and orient the arm on the wall so the Rubber Front Bar Insert is as shown in Figure 6. Ensure Bracket is plumb and insert the upper pan-head screw. Repeat for the other side of the awning.

16. Slide the Rubber Front Bar Insert into the front bar. While holding the Front Bar, tighten the Insert using a 5mm Allen wrench. Repeat for the other side of awning.

17. Determine location of the Cord Cleat on the wall and mark the hole locations. For wood, vinyl, stucco or aluminum siding pre-drill the hole locations using a 1/8" drill bit. For brick or concrete walls, using a 1/4" masonry drill bit, drill holes approximately 1-1/2" deep. Insert plastic wall anchors into holes, and using a hammer, tap flush with the surface of the concrete. Install the Cord Cleat using the (#8 x 1") flat head screws provided. For best results, install the Cord Cleat near the bottom left corner of your window as in Figure 4.



WARNING: WHEN OPERATING, STAND TO THE SIDE OF THE WINDOW AWNING AS ARMS ARE SPRING LOADED AND COULD FALL FORWARD RAPIDLY IF NOT OPERATED PROPERLY.

18. Pull the Window Awning Cord so that the awning fabric rolls up completely under the Hood Unit and tie off cord on cleat.

19. Install the bottom pan-head screws into the Arm Brackets.

20. Test Awning for proper operation.

For Inside Operation:

In order for your Window Awning to be operated from inside your home a hole will need to be drilled through the wall before the Hood Unit is installed.

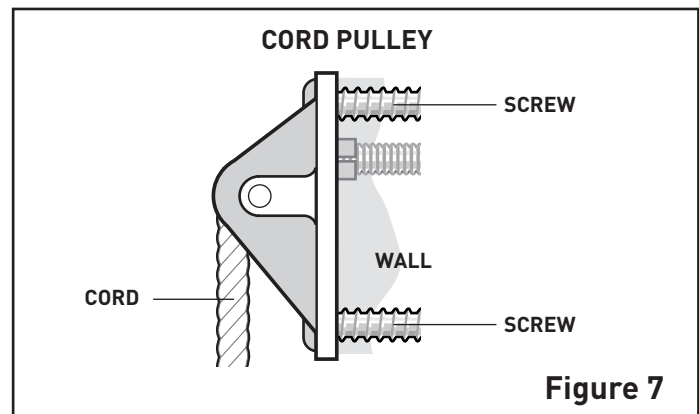
IMPORTANT: Before drilling, record the distance of the cord hole mark made in Step 5 from the window frame and transfer this measurement to wall inside house. **Ensure inside location is free of obstruction and will allow needed surface space for the installation of the Cord Pulley.**

A. From outside, drill the hole using a 1/4" x 6" drill bit (or longer as needed for your outside wall thickness).

B. Insert the Feed thru Bushing in the hole on outside wall.

C. Cut the end of the cord to remove the Cord Grip and feed the cord through the hole using a coat hanger or knitting needle or a similar object.

D. From inside, the cord should be fed through the back of the Cord Pulley and allowed to hang over the Pulley mechanism, see Figure 7. Fit the Pulley onto the wall making sure the cord opening fits in the drill hole and mark the upper and lower hole locations.



E. Remove the Pulley and pre-drill the upper and lower hole locations. Install the Cord Pulley onto the wall using two #8 x 1" flat-head screws.

F. Your Helper should now install Hood Unit onto Hook Screws on outside wall and ensure it is level.

G. Pull cord through and ensure there is no obstruction. Reattach Cord Grip on end of cord.

H. Determine location of the Cord Cleat on inside wall and mark the hole locations. Pre-drill the hole locations using a 1/8" drill bit. Install the Cord Cleat using two #8 x 1" flat-head screws provided. For best results, install the Cord Cleat near the bottom right corner of your window.

CONTINUE INSTALLATION ON PAGE 3, WITH THE "NOTE" PRECEDING STEP 10.

Care and Maintenance – SunSetter Fabrics

Protecting the SunSetter Laminated Fabrics

If it is necessary to roll the awning up wet, be sure to extend it out to dry when the weather is better. While the awning fabric itself won't mildew, mildew can form on the dust and dirt allowed to accumulate on the fabric. If the fabric is rolled up and stored when wet, the moisture will promote the formation of mildew. Do not use caustic cleaners.

Cleaning the Laminated Fabrics

Cleaning the fabric regularly with mild soap and water will extend the life of the fabric and prevent the formation of mildew.

Protecting the SunSetter Woven Acrylic Fabrics

SunSetter woven acrylic fabrics are made of 100% solution-dyed acrylic fiber and have a special finish which delays the formation and accumulation of dirt. To preserve the finish, cleaning of the fabric must include the following.

Standard Maintenance

Thoroughly remove the dust from the fabric by vacuum cleaning or brushing. Then clean with a prolonged spraying of luke warm water and a mild soap while gently brushing. Rinse thoroughly to remove soap.

Stain Removal

For more stubborn cases, a general solution of no more than ½ cup (4 oz.) of bleach and ¼ cup (2 oz.) of mild soap per gallon of water is normally recommended. Do not leave this mixture on the fabric for more than 20 minutes. Then the fabric should be rinsed thoroughly with cold water to remove all of the mixture.

Caution: Bleach can deteriorate sewing thread. The fabric should be rinsed thoroughly with cold water to remove all of the soap. This method of cleaning may remove part of the water repellency of the fabric. Therefore, if water repellency is important, the fabric afterwards should receive an application of any air-curing fluorocarbon water repellent treatment like 303 High Tech Fabric Guard.

Applying 303 High Tech Fabric Guard

303 should be applied to SunSetter woven acrylic fabrics after each thorough cleaning, which typically removes the original finish and reduces the fabric's water repellency.

Allow the clean fabric to completely air dry.

Apply 303 Fabric Guard in a well ventilated area following instructions on the container.

Apply 303 in a thin, even coat and allow fabric to dry completely.

Apply a second thin, even coat of 303. (Two light coatings are more effective in restoring fabric water resistance than a single heavy coating. A 15-ounce bottle provides coverage of up to 50 square feet of fabric).

For more information please see www.303products.com.

Caution: If an awning is retracted while wet, open it as quickly as possible and allow the fabric to dry. Although the fabric is mold, mildew and rot resistant, this procedure is necessary because atmospheric pollution deposits on the surface of the fabric can mold and mildew under damp conditions.

5-Year Limited Manufacturer's Warranty For SunSetter Retractable Window Awning

A. WHO GIVES THIS WARRANTY?

SunSetter Products, 184 Charles Street, Malden, MA 02148.

B. WHO IS ENTITLED TO THIS WARRANTY?

This Warranty applies only to the original purchaser who paid for the product and may not be assigned or transferred to subsequent owners. This Warranty applies only to products purchased and installed in the US.

C. WHAT ARE THE RESPONSIBILITIES OF SUNSETTER PRODUCTS UNDER THIS WARRANTY?

Subject to the terms and conditions set forth herein, SunSetter Products will furnish replacements for parts found by SunSetter Products to be defective in design, manufacture or assembly, under each specific component or product warranty as set forth below.

D. WHAT ARE THE RESPONSIBILITIES OF THE ORIGINAL PURCHASER UNDER THE WARRANTY?

1. Before any claims may be made under this Warranty, the original purchaser must have paid in full for the product covered under the Warranty, according to the terms and conditions of the pay-plan defined in the original order. **IF THE PURCHASER HAS FAILED TO MAKE FULL PAYMENTS ACCORDING TO THE SPECIFIC PAY PLAN FOR THE PRODUCT, THIS WARRANTY SHALL BE NULLIFIED AND SUNSETTER PRODUCTS SHALL BE RELIEVED FROM ANY RESPONSIBILITY OR LIABILITY UNDER THIS WARRANTY.** The purchaser agrees and acknowledges that this Warranty agreement constitutes an executory contract.

2. The purchaser must use care in installation, maintenance, operation, use, and storage of the product in accordance with the instructions contained with the product. **ANY FAILURE TO INSTALL, MAINTAIN, OPERATE, USE AND STORE THE PRODUCT IN ACCORDANCE WITH THE INSTRUCTIONS CONTAINED WITH THE PRODUCT WILL NULLIFY THIS WARRANTY AND RELIEVE SUNSETTER PRODUCTS FROM ANY RESPONSIBILITY OR LIABILITY UNDER THIS WARRANTY.**

3. Promptly notify SunSetter Products of any claims.

4. The purchaser may be required to provide a photograph of any defective parts. The purchaser may also be required to pay a deposit until the defective parts are returned to SunSetter Products for inspection. The purchaser must obtain a return authorization form from SunSetter Products' customer service department prior to the return of any merchandise and after having received such authorization, return the part or product, freight prepaid, to SunSetter Products.

E. WHAT IS COVERED UNDER THIS WARRANTY?

1. The following components of the SunSetter Retractable Window Awning are covered under this Warranty, subject to the limitations set forth below. These components have a five (5) year limited (prorated) warranty, against manufacturer's defects as outlined below:

(a) Should the purchaser promptly notify SunSetter Products of such defects within one year (12 months) from the date of the original purchase, the defective component will be replaced at no charge.

(b) After one year but within five years (60 months) from the date of the original purchase, a defective component will be replaced upon the purchaser's payment of 1/60th of the full retail cost of the component for each month of use prior to the claim.

2. Covered Components:

STRUCTURAL COMPONENTS including roller, front bar, arms and rolling mechanism are warranted for five (5) years not to fail under normal conditions if maintained, operated, used, and stored in accordance with the instructions contained with the product.

FABRIC is warranted for five (5) years against:

- (a) Excessive fading under normal conditions if maintained, operated, used, and stored in accordance with the instructions contained with the product.
- (b) Mildew on the fabric. Mildew will not form on the fabric itself, but may form on dirt and dust that have not been removed from it. Please see maintenance instructions for proper cleaning—outlined in the product manual.
- (c) Excessive cracking or peeling under normal conditions if maintained, operated, used, and stored in accordance with the instructions outlined in the product manual, and provided that the awning is not subjected to excessive winds.

F. WHAT IS NOT COVERED UNDER THIS WARRANTY?

- 1. Any failure or damage of the components that results from any intentional or negligent actions by the purchaser or by any other person is not covered by this Warranty.
- 2. It is the responsibility of the purchaser to securely fasten the Window Awning to the wall. Any failure or damage that results from the Window Awning falling from its installed position is not covered by this Warranty.
- 3. Labor charges connected with installation of replacement parts are not covered by this Warranty.
- 4. Freight expenses to and from SunSetter Products in shipping damaged or replacement parts are not covered by this Warranty and must be paid by the purchaser.

G. GENERAL PROVISIONS AND LIMITATIONS

1. THE WARRANTY GRANTED HEREIN IS THE EXCLUSIVE REMEDY FOR THE PURCHASER. SUNSETTER PRODUCTS MAKES NO OTHER WARRANTIES TO THE PURCHASER, EXPRESS, STATUTORY, IMPLIED OR OTHERWISE AND ALL IMPLIED WARRANTIES, INCLUDING WITHOUT LIMITATIONS, IMPLIED WARRANTIES OF MERCHANTABILITY AND FITNESS FOR A PARTICULAR PURPOSE, ARE HEREBY DISCLAIMED.

2. TO THE EXTENT PERMITTED BY LAW, SUNSETTER PRODUCTS SHALL HAVE NO LIABILITY TO THE PURCHASER OR ANY OTHER PERSON FOR INCIDENTAL, SPECIAL, CONSEQUENTIAL, INDIRECT OR SIMILAR DAMAGES OF ANY KIND OR NATURE WHATSOEVER, WHETHER ARISING OUT OF BREACH OF WARRANTY OR OTHER BREACH OF CONTRACT, NEGLIGENCE OR OTHER TORT, OR OTHERWISE, EVEN IF SUNSETTER PRODUCTS SHALL HAVE BEEN ADVISED OF THE POSSIBILITY OR LIKELIHOOD OF SUCH POTENTIAL LOSS OR DAMAGE. IN NO EVENT SHALL SUNSETTER PRODUCTS BE LIABLE FOR LOSS OF PROFITS AND/OR WAGES.

- 3. Some states do not allow limitations on how long an implied warranty lasts, or do not allow the exclusion or limitation of incidental or consequential damages, so the above limitations may not apply to you.
- 4. This warranty gives you specific rights, and you may have other rights, which vary from state to state.