

EasyShade®

For Technical Support visit us at <http://ownerscorner.sunsetter.com>,
e-mail contactus@sunsetter.com, or Call Toll Free 800-670-7071 • Fax 877-224-4944

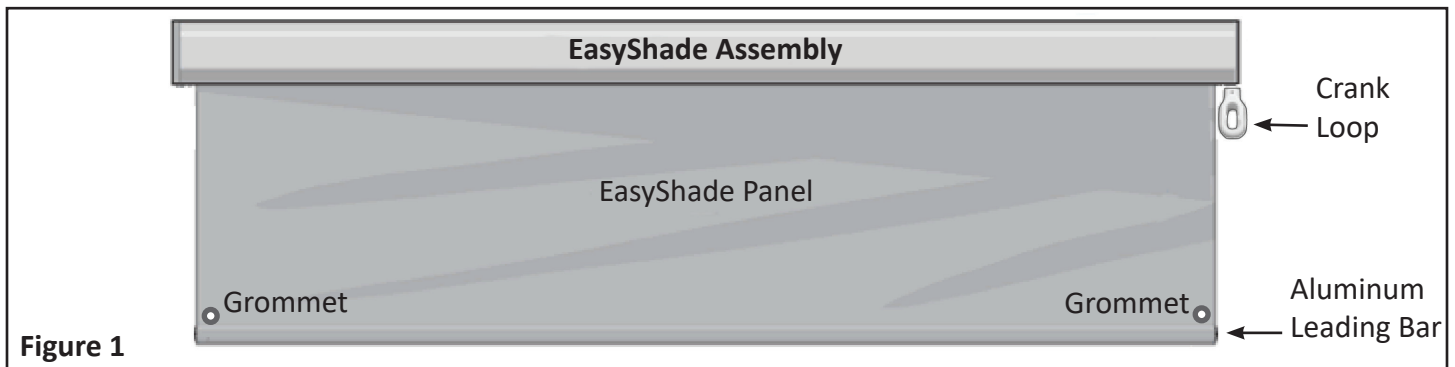
EasyShade® Installation

Helper Needed

Tools Needed: Electric Drill, 1/8" Drill bit, Pencil, Phillips Screwdriver, Tape Measure, and Level

Parts Supplied: Shade Assembly, Mounting Brackets - two (2) for 3' to 9' models and three (3) for 10' to 12' Models, Crank Wand, two (2) Bungee Cords, four (4) Bungee Brackets, a Crank Loop and a Screw (4mm x 20mm Machine Screw), four (4) #8x1 1/2" Flat-Head Phillips Screws, (4 or 6) #8x1 1/2" Round-Head Screws - four (4) for 3' to 9' Models and six (6) for 10' to 12' Models, and a 1/8" Allen Wrench for securing Mounting Bracket set screws.

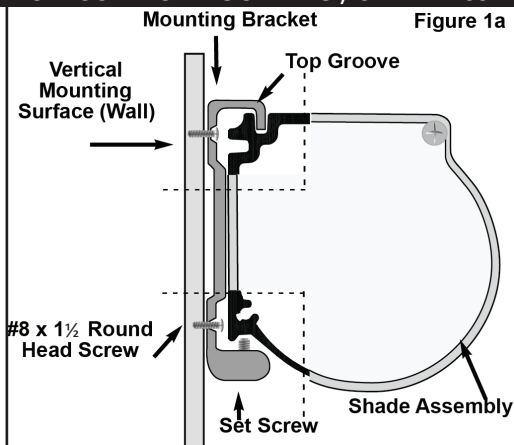
WARNING: FAILURE TO FOLLOW THESE INSTRUCTIONS CAN RESULT IN PERSONAL INJURY! PLEASE READ THESE INSTRUCTIONS IN ITS ENTIRETY BEFORE ATTEMPTING TO COMPLETE THIS PROCESS.



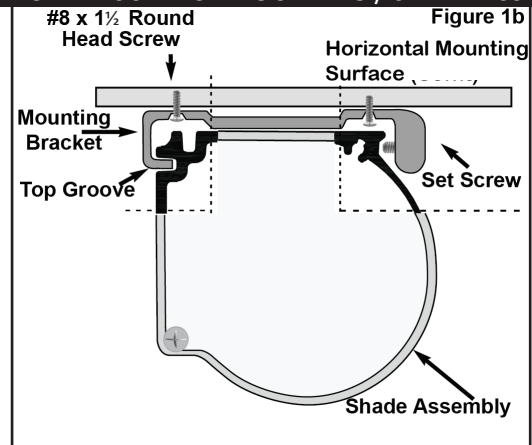
Note: Left and Right references are as you face the house.

The EasyShade can be installed with the Mounting Brackets on a wall (Vertical Mounting Surface, see **Figure 1a**), or on the underside of a structure (Horizontal Mounting Surface, see **Figure 1b**). Each of the Mounting Brackets should be installed so that it is no more than 10" from the end of the EasyShade Assembly. When mounting 10' to 12' models, the third Mounting Bracket should be installed at the mid point between the two End Brackets.

VERTICAL SURFACE MOUNTING / SHADE ASSEMBLY



HORIZONTAL SURFACE MOUNTING / SHADE ASSEMBLY



1. Determine the desired location for the Mounting Brackets, making sure that they are plumb and level. Using a pencil, mark the 2 Bracket hole locations on the Mounting Surface. Using a 1/8" bit, drill holes approximately 1-1/2" deep at both hole locations. Repeat for the Mounting Bracket on the other side, and the center Mounting Bracket location on 10' to 12' models.

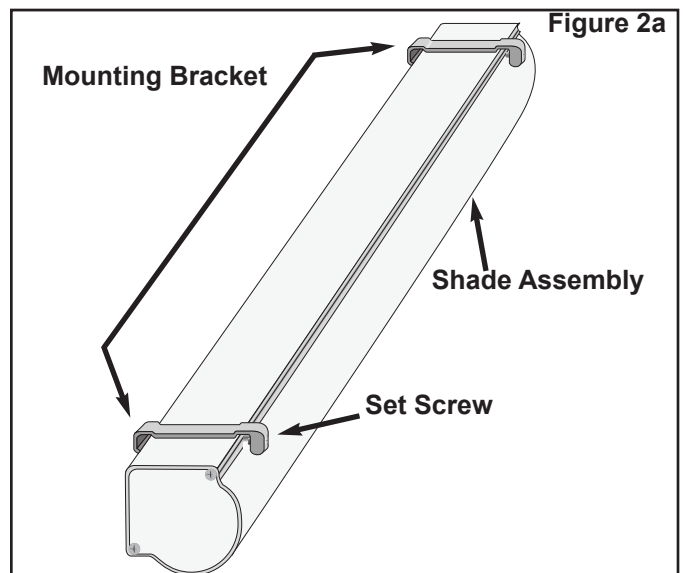
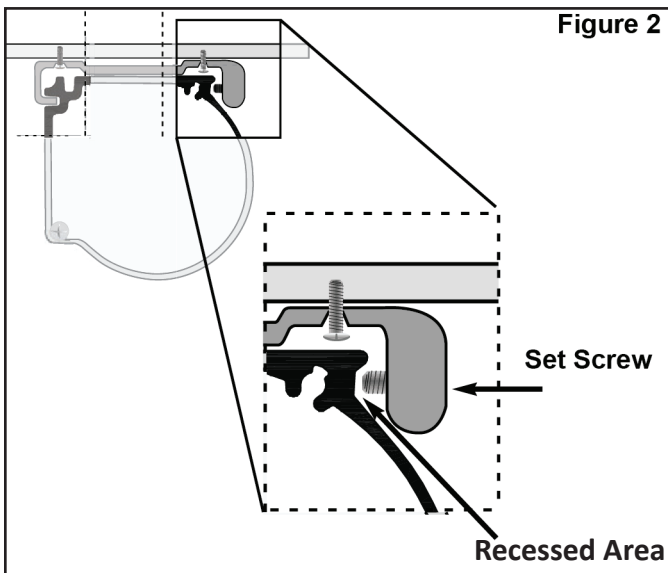
2a. For mounting on a wall (Vertical Surface), secure each Bracket with two #8 x 1-½” round-head screws. **Note: The end of the Bracket with the set screw should face down.** See Figure 1a.

2b. For mounting on an underside structure (Horizontal Surface), secure each Bracket with two #8 x 1-½” round-head screws. **Note: The end of the Bracket with the set screw should face toward you, as you face your mounting location.** See Figure 1b.

3. Secure the Crank Loop onto the Gear Shaft using the provided attachment screw.

4. Orient the shade assembly so that the Crank Loop is on your right as you face the installed Brackets.

5. With your helper, lift the EasyShade Assembly up to the installed Mounting Brackets and insert the Top Groove of the EasyShade Assembly onto the protruding tab on the Mounting Brackets (See Figure 1a). While maintaining upward pressure to keep the Top Groove of the Shade Assembly on the tab of the Mounting Brackets, press the Shade Assembly toward the Mounting Bracket and be sure that the Set Screw is aligned in the recessed portion of the Shade Assembly. **See Figure 2.**



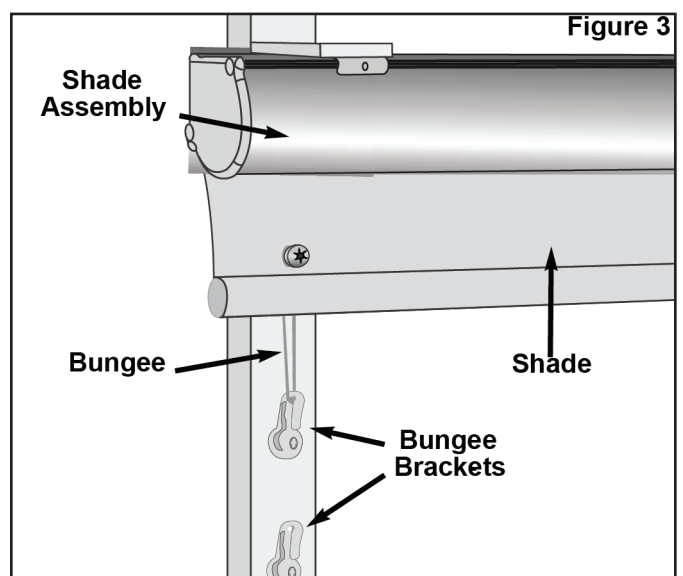
6. Using the ⅛” Allen Wrench, tighten the Set Screw in each of the Mounting Brackets until the EasyShade Assembly is secure. See Figure 2a.

7. Your installation is complete.

Note: We have provided 2 sets of Bungee Brackets, which gives you the flexibility to have partial and fully extended fastening points. See Figure 3.

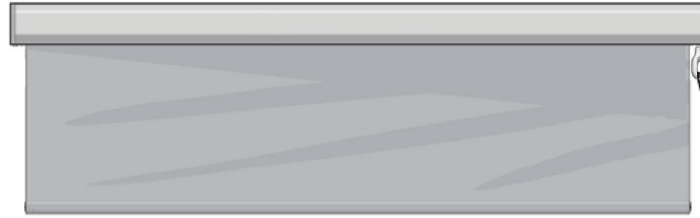
The EasyShade extends down seven (7) feet to provide a wide range of flexible shade. You may also choose to use the provided Bungees and Bungee Brackets so that the extended Shade can be secured.

- Mount the Bungee Brackets at the desired height(s) using the Flat-Head Phillips Screws provided.
- Insert the Bungee Cord through the Grommet at each corner of the EasyShade Panel.
- Place the Bungee Cord over the hook on the Bracket.



CAUTION: You Should Roll Your EasyShade Up When There Is Severe Weather Forecasted For Your

Area.



ROLL DOWN EASYSHADE FABRIC PANEL

To open, insert the Crank Wand into the Crank Loop. Turn the Crank Wand to unroll the EasyShade Panel.

To close, turn the Crank Wand to roll up the EasyShade Panel.

CAUTION: Remove the Crank Wand from the Crank Loop when not in use.

5-Year Limited Manufacturer's Warranty For EasyShade (Manual Operation)

A. WHO GIVES THIS WARRANTY?

SunSetter Products, 184 Charles Street, Malden, MA 02148.

B. WHO IS ENTITLED TO THIS WARRANTY?

This Warranty applies only to the original purchaser who paid for the product and may not be assigned or transferred to subsequent owners. This Warranty applies only to products purchased and installed in the US.

C. WHAT ARE THE RESPONSIBILITIES OF SUNSETTER PRODUCTS UNDER THIS WARRANTY?

Subject to the terms and conditions set forth herein, SunSetter Products will furnish replacements for parts found by SunSetter Products to be defective in design, manufacture or assembly, under each specific component or product warranty as set forth below.

D. WHAT ARE THE RESPONSIBILITIES OF THE ORIGINAL PURCHASER UNDER THE WARRANTY?

1. Before any claims may be made under this Warranty, the original purchaser must have paid in full for the product covered under the Warranty, according to the terms and conditions of the pay-plan

defined in the original order. **IF THE PURCHASER HAS FAILED TO MAKE FULL PAYMENTS ACCORDING TO THE SPECIFIC PAY PLAN FOR THE PRODUCT, THIS WARRANTY SHALL BE NULLIFIED AND SUNSETTER PRODUCTS SHALL BE RELIEVED FROM ANY RESPONSIBILITY OR LIABILITY UNDER THIS WARRANTY.** The purchaser agrees and acknowledges that this Warranty agreement constitutes an executory contract.

2. The purchaser must use care in installation, maintenance, operation, use, and storage of the product in accordance with the instructions contained with the product. **ANY FAILURE TO INSTALL, MAINTAIN, OPERATE, USE AND STORE THE PRODUCT IN ACCORDANCE WITH THE INSTRUCTIONS CONTAINED WITH THE PRODUCT WILL NULLIFY THIS WARRANTY AND RELIEVE SUNSETTER PRODUCTS FROM ANY RESPONSIBILITY OR LIABILITY UNDER THIS WARRANTY.**

3. Promptly notify SunSetter Products of any claims.

4. The purchaser may be required to provide a photograph of any defective parts. The purchaser may also be required to pay a deposit until the

defective parts are returned to SunSetter Products for inspection. The purchaser must obtain a return authorization form from SunSetter Products' customer service department prior to the return of any merchandise and after having received such authorization, return the part or product, freight prepaid, to SunSetter Products.

E. WHAT IS COVERED UNDER THIS WARRANTY?

1. The following components of the EasyShade are covered under this Warranty, subject to the limitations set forth below. These components have a five (5) year limited (prorated) warranty, against manufacturer's defects as outlined below:

(a) Should the purchaser promptly notify SunSetter Products of such defects within one year (12 months) from the date of the original purchase, the defective component will be replaced at no charge.

(b) After one year but within five years (60 months) from the date of the original purchase, a defective component will be replaced upon the purchaser's payment of 1/60th of the full retail cost of the component for each month of use prior to the claim.

2. Covered Components:

STRUCTURAL COMPONENTS AND GEAR

MECHANISM are warranted for five (5) years not to fail under normal conditions if maintained, operated, used, and stored in accordance with the instructions contained with the product.

VINYL MESH is warranted for five (5) years against:

(a) Excessive fading under normal conditions if maintained, operated, used, and stored in accordance with the instructions contained with the product.

(b) Mildew on vinyl mesh. Mildew will not form on the mesh itself, but may form on dirt and dust that have not been removed from it. The purchaser must clean the vinyl mesh periodically with water and mild soap to prevent dirt from accumulating.

(c) Excessive cracking or peeling under normal conditions if maintained, operated, used, and stored in accordance with the instructions contained with the product.

F. WHAT IS NOT COVERED UNDER THIS WARRANTY?

1. Any failure or damage of the components that results from any intentional or negligent actions by the purchaser or by any other person is not covered by this Warranty.

2. It is the responsibility of the purchaser to securely fasten the EasyShade to studs, joists, headers or other structural members. Any failure or damage that results from the EasyShade falling from its installed position is not covered by this Warranty.

3. Labor charges connected with installation of replacement parts are not covered by this Warranty.

4. Freight expenses to and from SunSetter Products in shipping damaged or replacement parts are not covered by this Warranty and must be paid by the purchaser.

G. GENERAL PROVISIONS AND LIMITATIONS

1. THE WARRANTY GRANTED HEREIN IS THE EXCLUSIVE REMEDY FOR THE PURCHASER. SUNSETTER PRODUCTS MAKES NO OTHER WARRANTIES TO THE PURCHASER, EXPRESS, STATUTORY, IMPLIED OR OTHERWISE AND ALL IMPLIED WARRANTIES, INCLUDING WITHOUT LIMITATIONS, IMPLIED WARRANTIES OF MERCHANTABILITY AND FITNESS FOR A PARTICULAR PURPOSE, ARE HEREBY DISCLAIMED.

2. TO THE EXTENT PERMITTED BY LAW, SUNSETTER PRODUCTS SHALL HAVE NO LIABILITY TO THE PURCHASER OR ANY OTHER PERSON FOR INCIDENTAL, SPECIAL, CONSEQUENTIAL, INDIRECT OR SIMILAR DAMAGES OF ANY KIND OR NATURE WHATSOEVER, WHETHER ARISING OUT OF BREACH OF WARRANTY OR OTHER BREACH OF CONTRACT, NEGLIGENCE OR OTHER TORT, OR OTHERWISE, EVEN IF SUNSETTER PRODUCTS SHALL HAVE BEEN ADVISED OF THE POSSIBILITY OR LIKELIHOOD OF SUCH POTENTIAL LOSS OR DAMAGE. IN NO EVENT SHALL SUNSETTER PRODUCTS BE LIABLE FOR LOSS OF PROFITS AND/OR WAGES.

3. Some states do not allow limitations on how long an implied warranty lasts, or do not allow the exclusion or limitation of incidental or consequential damages, so the above limitations may not apply to you.

4. This warranty gives you specific rights, and you may have other rights, which vary from state to state.