



RETRACTABLE AWNINGS

For Technical Support visit us at www.sunsetter.com/ownerscorner or Call Toll Free 800-670-7071 • Fax 877-224-4944

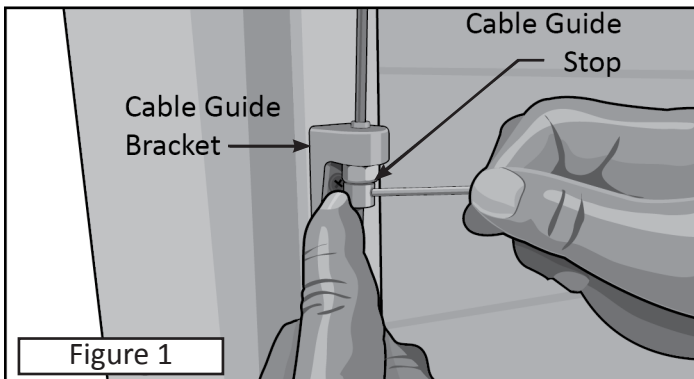
Motorized EasyShade End Plate (Motor Side) Replacement * Helper Needed *

Tools Needed: Phillips Screwdriver, 5/64" Allen Wrench, 3 mm Allen Wrench

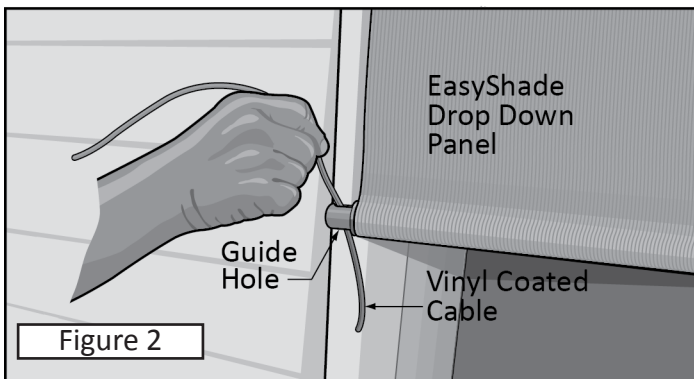
Parts Supplied: Replacement End Plate (motor side)

WARNING: FAILURE TO FOLLOW THESE INSTRUCTIONS CAN RESULT IN PERSONAL INJURY! PLEASE READ THESE INSTRUCTIONS IN ITS ENTIRETY BEFORE ATTEMPTING TO COMPLETE THIS PROCEDURE.

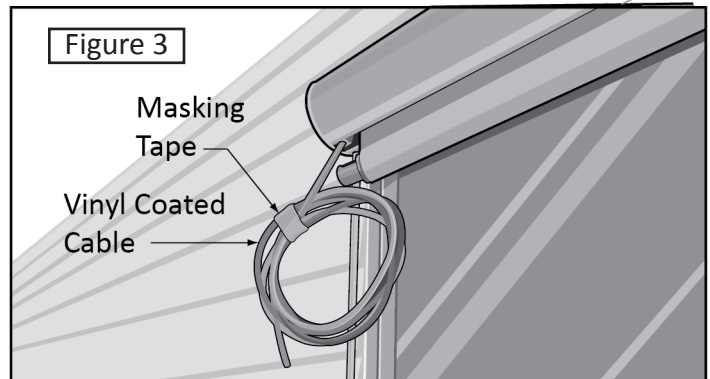
1. Close up your EasyShade completely.
2. Unplug the power cord from the outlet.
3. Remove each Cable Guide Stop from the bottom of each Vinyl Coated Cable on each side of the EasyShade, using a 5/64" Allen wrench. See **Figure 1**.



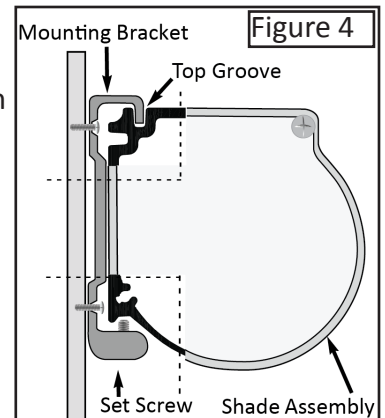
4. Pull the Vinyl Coated Cable out of the Guide Hole in each end of the EasyShade Drop Down Panel. See **Figure 2**.



5. Coil the Vinyl Coated Cable and secure with a piece of masking tape. See **Figure 3**.

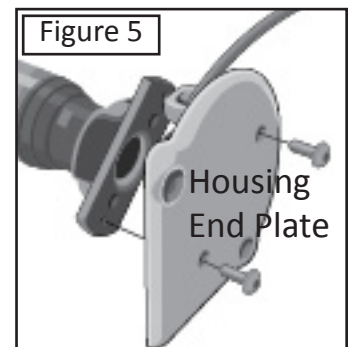


6. While your helper supports the EasyShade, loosen the Set Screws on the Mounting Brackets (see **Figure 4**). With the aid of your helper, remove the EasyShade from the Mounting Brackets and place it carefully in your work area.



Note: Before performing Step 7, take a moment to observe the orientation of the Housing End Plate.

7. On the Motor end of the EasyShade Housing, use a 3 mm Allen wrench to remove the two screws that secure the Housing End Plate to the Motor. See **Figure 5**.

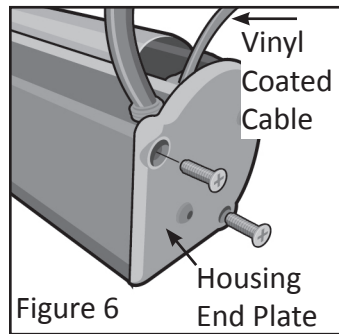


Note: Before performing Step 8, take a moment to observe the orientation of the Housing End Plate. See Figure 6.

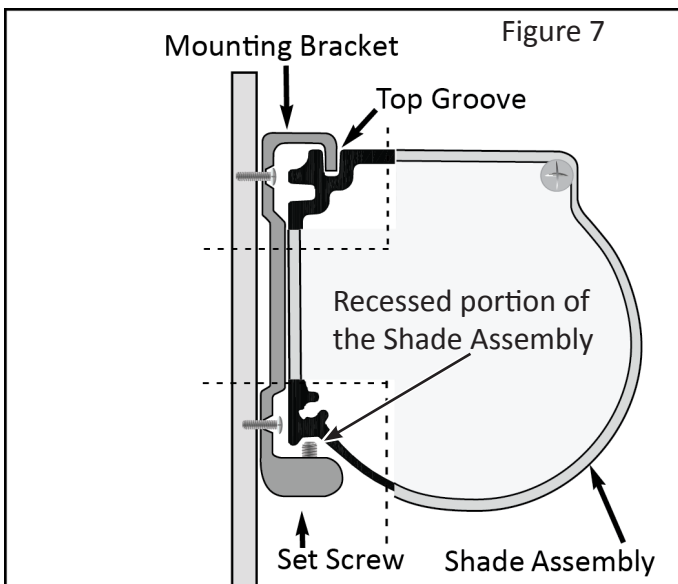
8. On the Motor end of the Housing, **remove the two Phillips head screws** that secure the End Plate to the Housing, then remove the End Plate. See **Figure 6**.

9. Install the new Housing End Plate on to the Motor, beginning with the top **Allen head screw**. Once the top **Allen head screw** has been started, lift up on the Housing End Plate to allow for alignment and installation of the second **Allen head screw**. When both Allen head screws have been started and alignment achieved, **tighten both Allen head screws**.

10. On the Motor end, ensure the Vinyl Coated Cable is positioned in the Fabric Slot (see **Figure 6**). Align the End Plate with the Housing and install the two Phillips head screws to secure the End Plate to the Housing.



11. With your helper, lift the EasyShade assembly up to the installed Mounting Brackets and insert the Top Groove of the EasyShade assembly onto the protruding tab of the Mounting Brackets. While maintaining upward pressure to keep the Top Groove of the EasyShade assembly on the Tab of the Mounting Brackets, press the EasyShade assembly toward the Mounting Bracket and be sure that the Set Screw is aligned in the Recessed Portion of the Shade Assembly. See **Figure 7**.



12. Tighten the Set Screw in each Mounting Bracket until the EasyShade assembly is secure.

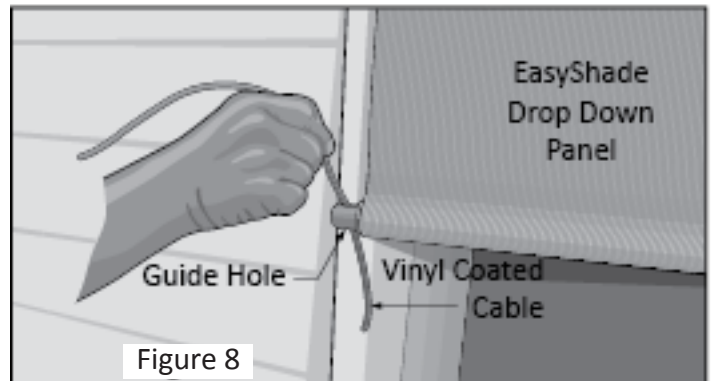
13. Plug the Motor Power Cord into your electrical outlet.

14. Open your EasyShade using the DOWN Button on your Remote Transmitter.

15. Unplug the Motor cord.

16. At each end of the EasyShade Housing assembly, uncoil the Vinyl Coated Cable. Allow it to hang flat against the mounting surface.

17. Insert the Vinyl Coated Cable located at each end of the Housing assembly through the Guide Holes at each end of the EasyShade drop down Panel. See **Figure 8**.



18. Place the lower end of one of the Vinyl Coated Cables through the hole in the Cable Guide Bracket. See **Figure 9**. From the bottom, slide one of the Cable Guide Stops (see **Figure 10**) onto the Vinyl Cable and secure in place with the supplied $\frac{5}{64}$ " Allen wrench. Repeat for the other side of the EasyShade.

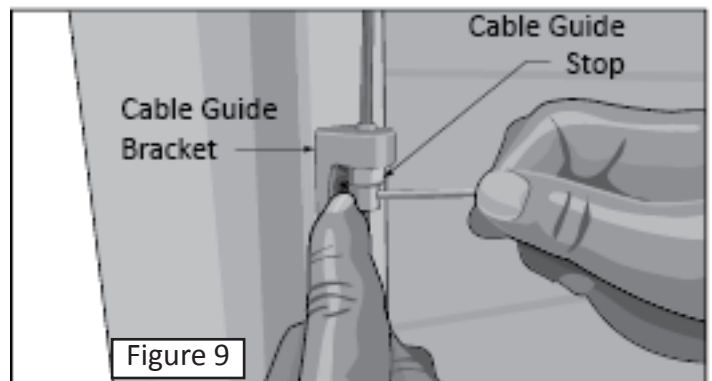



Figure 10  Insert Cable Guide Stop pointing upward, from underneath the Cable Guide Bracket.

19. Ensure the Vinyl Coated Cables are snug. Adjust as needed, using the 3/16" open end wrench, by turning the nut on the Cable Guide Stop until the Cable is snug.

Note: Do not overtighten the Cable.




20. Plug the power cord into the electrical outlet.

21. Test the operation of your EasyShade, using the DOWN and UP buttons on your Remote Transmitter.




22. If you need to adjust the Down or Up Stop Limits, follow these steps:

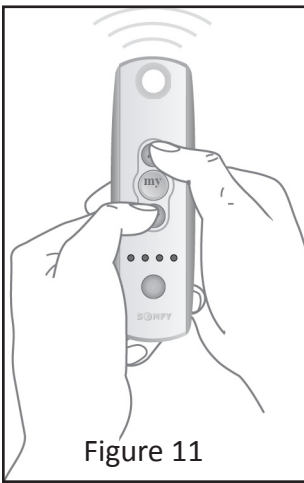
Note: Do Not exceed the 84" Open Limit as this will cause the screen to roll up backwards in the housing.

To Change the Up Limit:

Move the EasyShade to its current Up limit position and let it stop. Press the (UP)  and (DOWN)  buttons simultaneously (see **Figure 11**) until the EasyShade jogs, then release. Adjust to a new Open limit position. Press the (MY)  button until the EasyShade jogs, then release. Check the new Up limit.

To Change the Down Limit:

Move the EasyShade to its current Down limit position and let it stop. Press the (UP)  and (DOWN)  buttons simultaneously (see **Figure 10**) until the EasyShade jogs, then release. Adjust to a new Down limit position. Press the (MY)  button until the EasyShade jogs, then release. Check the new Down limit.



A place for your notes: