



RETRACTABLE AWNINGS

For Technical Support visit us at [www.sunsetter.com/ownerscorner](http://www.sunsetter.com/ownerscorner) or Call Toll Free 800-670-7071 • Fax 877-224-4944

## Multi-Channel Wireless Wall Switch Installation and Operation Instructions

**Tools Needed:** Tape Measure, Pencil, Screwdriver, Drywall Saw, and a tool to press the Programming Button inside the small opening.

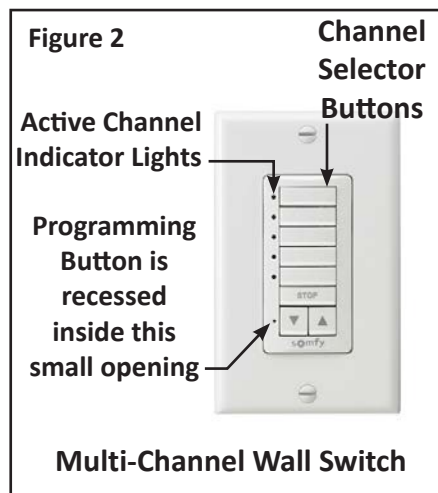
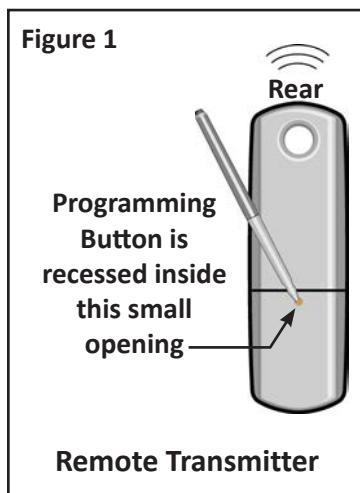
**Parts Supplied:** Wall Switch, Mounting Bracket, Cover Plate

**WARNING: FAILURE TO FOLLOW THESE INSTRUCTIONS CAN RESULT IN PERSONAL INJURY!! PLEASE READ THESE INSTRUCTIONS IN ITS ENTIRETY BEFORE ATTEMPTING TO COMPLETE THIS PROCESS.**

**Note:** The Wall Switch is a wireless radio transmitter compatible with your SunSetter Products. This is a low voltage device which does not need to be mounted inside an electrical box. It can be mounted adjacent to an existing light switch; this allows a double gang cover plate to fit over both switches without installing a double gang electric box behind the drywall. It is also possible to mount as a stand alone device using the supplied low voltage bracket.

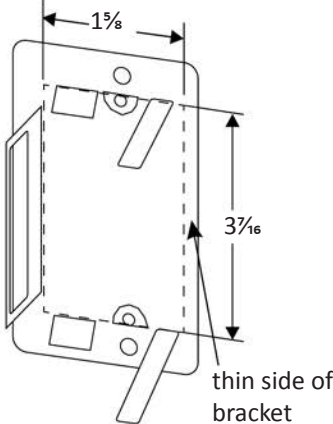
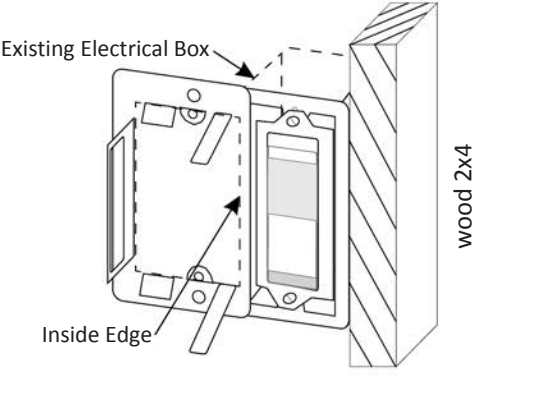
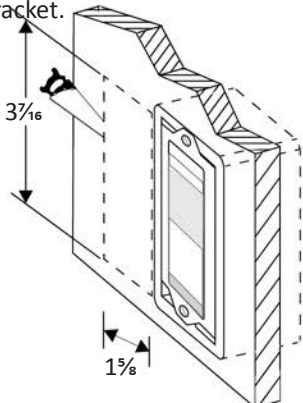
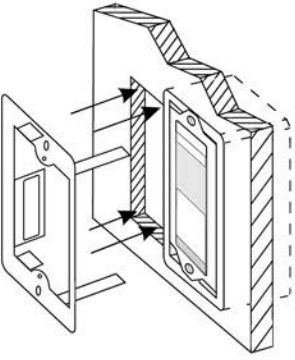
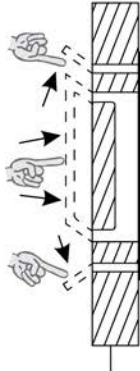
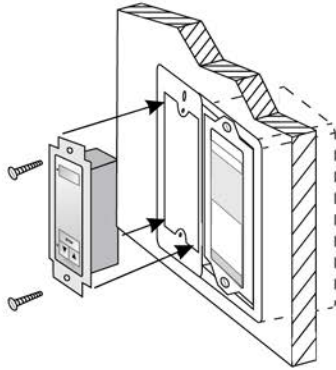
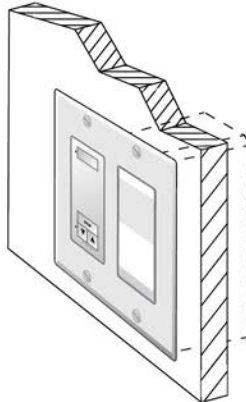
### Programming your SunSetter Product to Respond to your Multi-Channel Wall Switch

1. Press the Programming Button (recessed inside the opening) on the rear of the Remote Transmitter (see **Figure 1**), that controls your Product until it responds. A Motor will respond with a movement, an LED Light Strip will respond with a blink of the LED Light Strips.
2. Briefly press the Channel Select Button for the channel of the Multi-Channel Wall Switch that you want to use to control your SunSetter Product. The adjacent LED will light up for 10 seconds. Using a paper clip or similar device, press the Programming Button located on the Wall Switch until the Product responds. A Motor will respond with a movement, an LED Light Strip will respond with a blink of the LED Light Strips. See **Figure 2**.
3. Your Wall Switch is set to operate your SunSetter Product. Test the Product now for proper operation.



## Installation Procedure:

**NOTE: THIS BRACKET IS DESIGNED FOR AN EXISTING ELECTRICAL BOX ALREADY BEHIND THE SHEETROCK. IF A RETROFIT ELECTRICAL BOX WAS USED, IT IS RECOMMENDED TO REMOVE THE SINGLE GANG AND REPLACE IT WITH A DOUBLE GANG RETROFIT BOX.**

|   |   |  |  |
|---|---|--|--|
| <p>1. Orient the bracket's flat side against the wall keeping the thin side closest and centered with the existing electrical switch box.</p>  | <p>2. Align the inside edge of the thin side on the bracket with the outside edge of the switch box. Then trace the inside shape (as shown by the dashed line in the diagram) of the bracket (sheet rock not shown for clarity).</p>  | <p>3. Cut traced opening into drywall. Be careful not to make the opening larger than necessary, to ensure a tight fit. Use dimensions in diagram below. Do not exceed these dimensions to ensure a proper fit of the bracket.</p>  |  |
| <p>4. Insert bracket (as shown) into hole, keeping the thin side closest to the existing switch box, and laying flat on drywall.</p>         | <p>5. To keep the bracket in place, bend tabs 90° around drywall as tightly as possible.</p>   | <p>6. Mount low voltage switch into bracket with its edge flush against electrical switch box.</p>   | <p>7. Finish the installation by mounting a standard double gang switch cover plate, over both switches.</p>  |

## Battery Replacement: (3V Battery – Type CR2450)

4. Remove the wall switch from the mounting bracket.
5. Using a small flat blade screw driver, carefully separate the Switch Base Assembly from the Faceplate (See Figure 3). Insert the new battery maintaining the correct polarity.
6. Install the back cover on wall switch, and test awning for proper operation.
7. Install Wall Switch in Mounting Bracket and replace Cover Plate.

