



RETRACTABLE AWNINGS

For Technical Support visit us at www.sunsetter.com/ownerscorner or Call Toll Free 800-670-7071 • Fax 877-224-4944

OASIS Front Bar Connector

Replacement Instructions

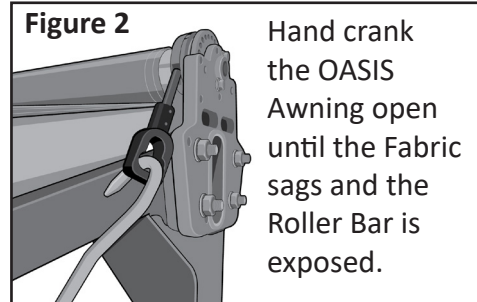
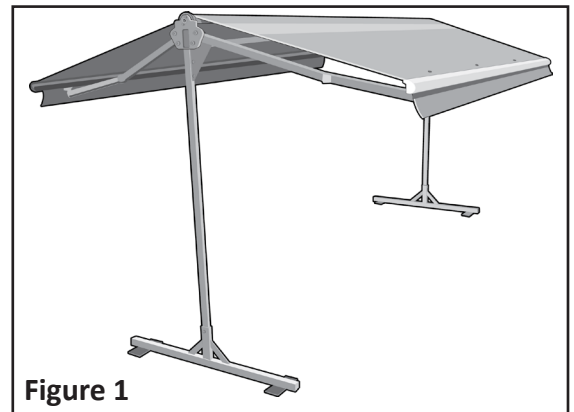
*** HELPER NEEDED ***

Tools Needed: 5mm Allen wrench, Pencil, Phillips Screwdriver, 1/2" Wrench or Socket (see Figure 6), 6mm Allen Wrench (see Figure 5).

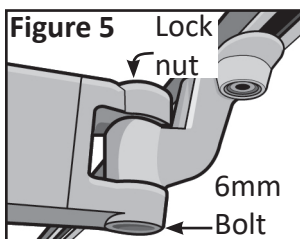
Parts Supplied: (1) Front Bar Connector, (2) White Nylon Bushing, Hardware.

WARNING: FAILURE TO FOLLOW THESE INSTRUCTIONS CAN RESULT IN PERSONAL INJURY!! PLEASE READ THESE INSTRUCTIONS IN ITS ENTIRETY BEFORE ATTEMPTING TO COMPLETE THIS PROCEDURE.

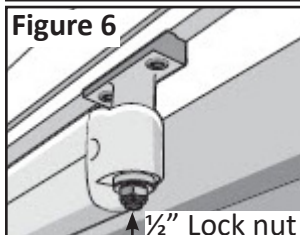
1. Open the OASIS Awning all the way. See **Figure 1**.
2. For Motorized OASIS, unplug the Motor.
3. Using the Crank Wand (see **Figure 2**), continue to open the OASIS until the Lateral Arms are completely extended, the Fabric begins to sag and the Roller Bar is exposed.
Note: This safely ensures tension is relieved from the Lateral Arms, before disconnecting them from the Front Bar.
4. Using the Pencil, mark on the Front Bar the exact location of the existing Front Bar Connector (see **Figure 3**), so the new Front Bar Connector will be installed in the same location.
5. Using the Phillips Screwdriver, remove the Front Bar End Cap closest to the Front Bar Connector to be replaced. See **Figure 4**.
6. You must **have your helper hold the Front Bar stable**, while you perform the rest of this replacement procedure.
7. Disconnect the Lateral Arm from the Front Bar Connector.
Refer to the type of Front Bar Connector on your Oasis:



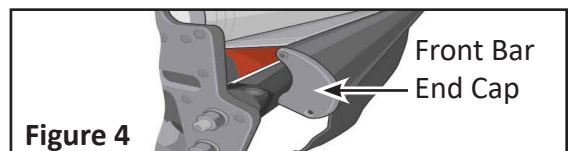
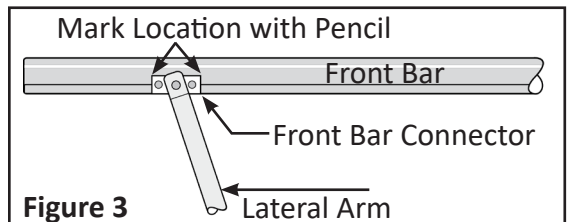
Hand crank the OASIS Awning open until the Fabric sags and the Roller Bar is exposed.



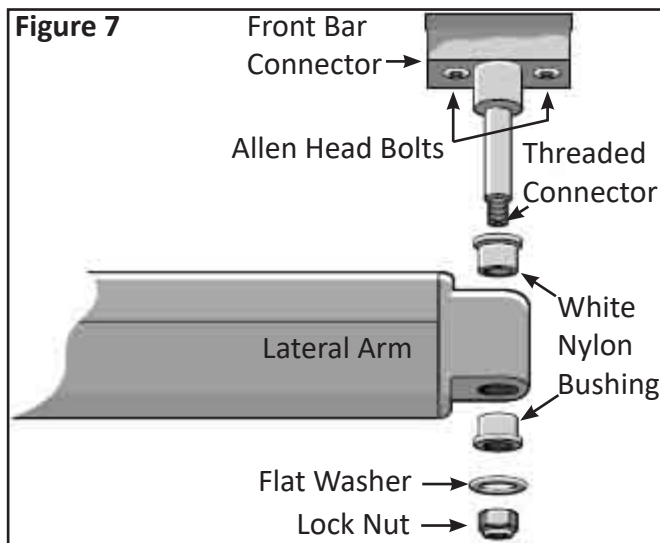
a. For **Front Bar Connectors shown in Figure 5**, use a 6mm Allen Wrench to remove the bolt, from underneath. Be careful to not lose the lock nut from above the Front Bar Connector.



b. For **Front Bar Connectors shown in Figure 6**, use a 1/2" Wrench or Socket to remove the Lock Nut attaching the Lateral Arm to the Front Bar Connector.

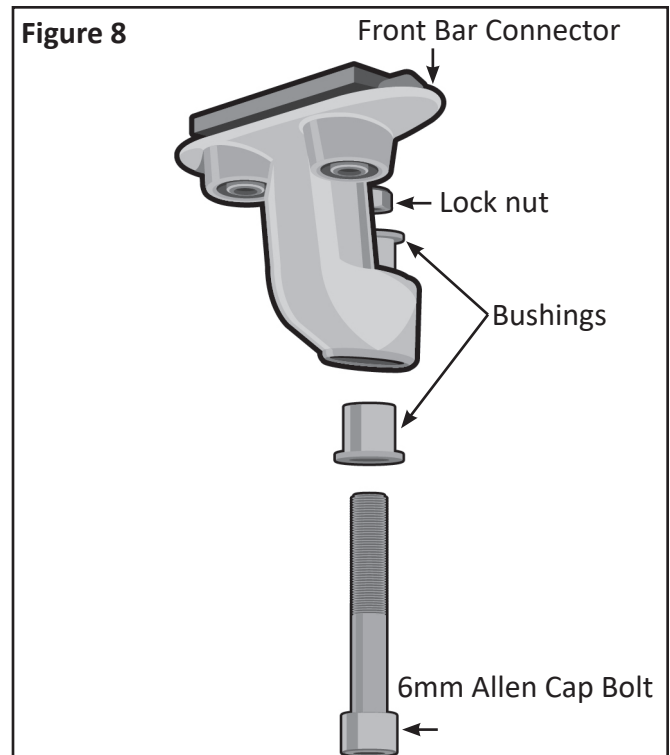


8. While your helper holds the Front Bar steady, separate the Lateral Arm from the Front Bar Connector. See See **Figures 7 and 8**.
9. Using a 5mm Allen Wrench, loosen the two Allen Head Bolts attaching the Front Bar Connector to the Front Bar. See See **Figures 7 and 8**.
10. Slide the Front Bar Connector out of the Front Bar.
11. Slide the new Front Bar Connector into the Front Bar, aligning the position exactly, with the pencil marks where the original Front Bar Connector was attached.
12. Using a 5 mm Allen Wrench, tighten the Front Bar Connector to the Front Bar. See **Figures 7 and 8**.



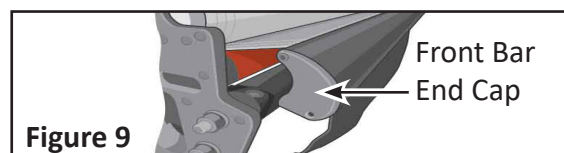
13. For the Front Bar Connector shown in Figure 7:

- a. Slide one replacement White Nylon Bushing over the Threaded Connector (with the flat side facing up) onto the Front Bar Connector. See **Figure 7** for orientation of the White Nylon Bushing.
- b. Connect the Lateral Arm to the Front Bar Connector. The narrow part of the White Nylon Bushing fits into the opening of the Lateral Arm.
- c. Slide the other replacement White Nylon Bushing over the Threaded Connector (with the flat side facing down). The narrow part of the White Nylon Bushing fits into the opening of the Lateral Arm.
- d. Slide the Flat Washer over the threaded part of the Front Bar Connector and hold in place.
- e. Tighten the Lock Nut with a ½" Wrench or Socket.
- f. Continue at **Step 15**.



14. For the Front Bar Connector shown in Figure 8:

- a. Attach the Bushings provided to the Front Bar Connector, if not already attached.
- b. Connect the Lateral Arm to the Front Bar Connector.
- c. Insert the 6mm Allen Cap Bolt from underneath the Lateral Arm, passing through the Front Bar Connector.
- d. Insert the Lock nut from above the Lateral Arm, tighten the Allen Cap Bolt.
- e. Continue at **Step 15**.



15. Attach the Front Bar End Cap. See Figure 9.

16. Your helper can release the Front Bar.
17. Use the hand Crank Wand to roll the Fabric on to the Roller Bar.
18. For Motorized OASIS, plug in Motor.
19. Test for proper operation.