



RETRACTABLE AWNINGS

For Technical Support visit us at <http://ownerscorner.sunsetter.com>,
e-mail contactus@sunsetter.com, or Call Toll Free 800-670-7071 • Fax 877-224-4944

OASIS AWNING Front Bar Replacement Instructions

Tools Needed: 13mm wrench or socket, 5mm & 6mm Allen wrench, Pencil, Tape, Phillips screwdriver, Hammer, Small Flat blade screwdriver, sawhorses or chairs.

Parts Supplied: (1) Front Bar, (4) Plastic safety sleeves, (4) Plastic Front bar inserts

WARNING: FAILURE TO FOLLOW THESE INSTRUCTIONS CAN RESULT IN PERSONAL INJURY!! PLEASE READ THESE INSTRUCTIONS IN ITS ENTIRETY BEFORE ATTEMPTING TO COMPLETE THIS PROCEDURE.

PLEASE NOTE THAT LEFT AND RIGHT REFERENCES ARE AS YOU ARE FACING THE GEAR ASSEMBLY OR MOTOR.

1. Make sure that the Oasis Awning is completely closed;
 - a. For Manual Oasis: remove the crank wand from the gear assembly
 - b. For Motorized Oasis: unplug the power cord from your electrical outlet.
2. Position two chairs approximately 8 feet apart. **Note:** Be sure to lay the awning on a protective surface.

WARNING: THE FOLLOWING PROCEDURE SHOULD BE ACCOMPLISHED BY FOUR PEOPLE.

3. One person should be positioned at each leg assembly to prevent the awning from sliding as the unit is carefully tipped over. See **Figure 1**.
4. One person should be positioned at each end of the awning assembly, and be able to lift and support the weight of that end of the awning.

Note: Before completing Step 5, make sure that the Awning is oriented so that the Front Bar that you are changing will be facing up when the Awning is tipped over.

5. When the helpers are in position, the two people positioned at the ends of the awning assembly should carefully tip the awning over until the awning is resting on two sawhorses or chairs. See **Figure 2**.

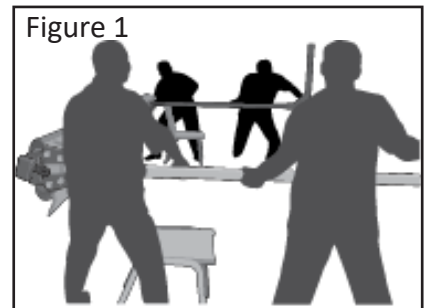
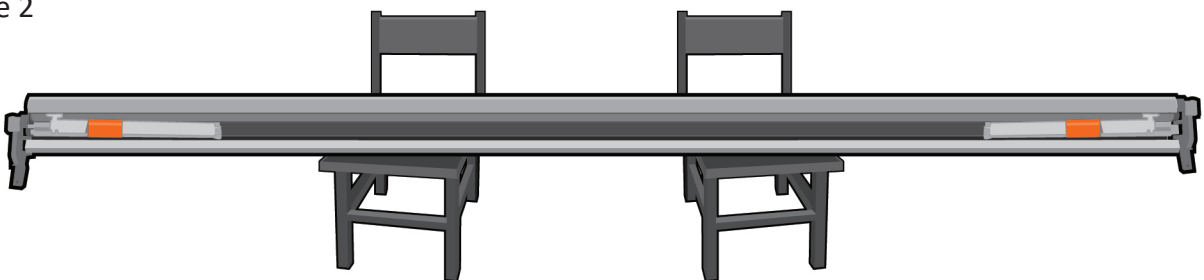
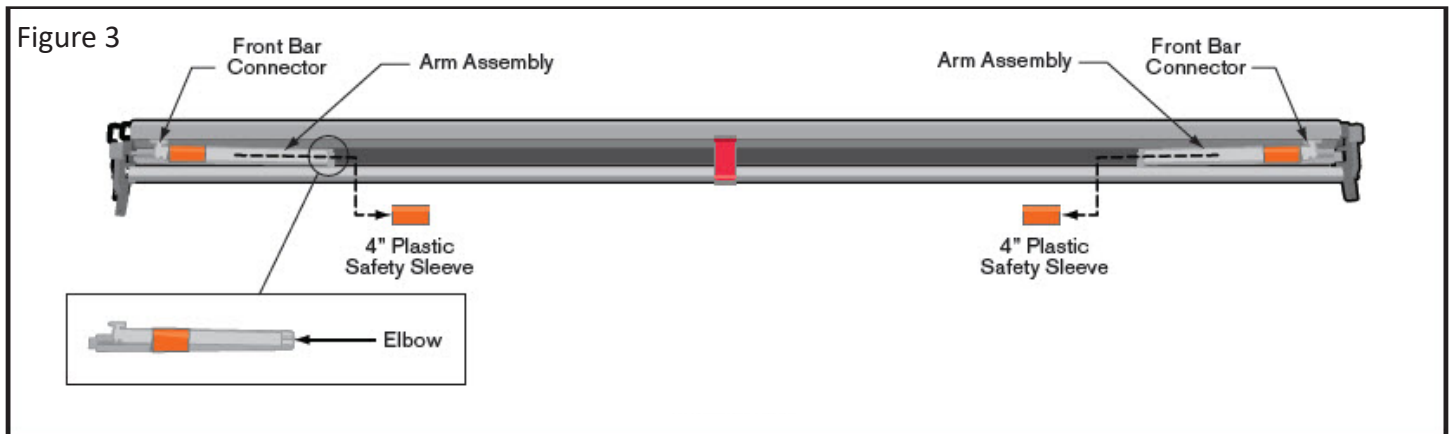


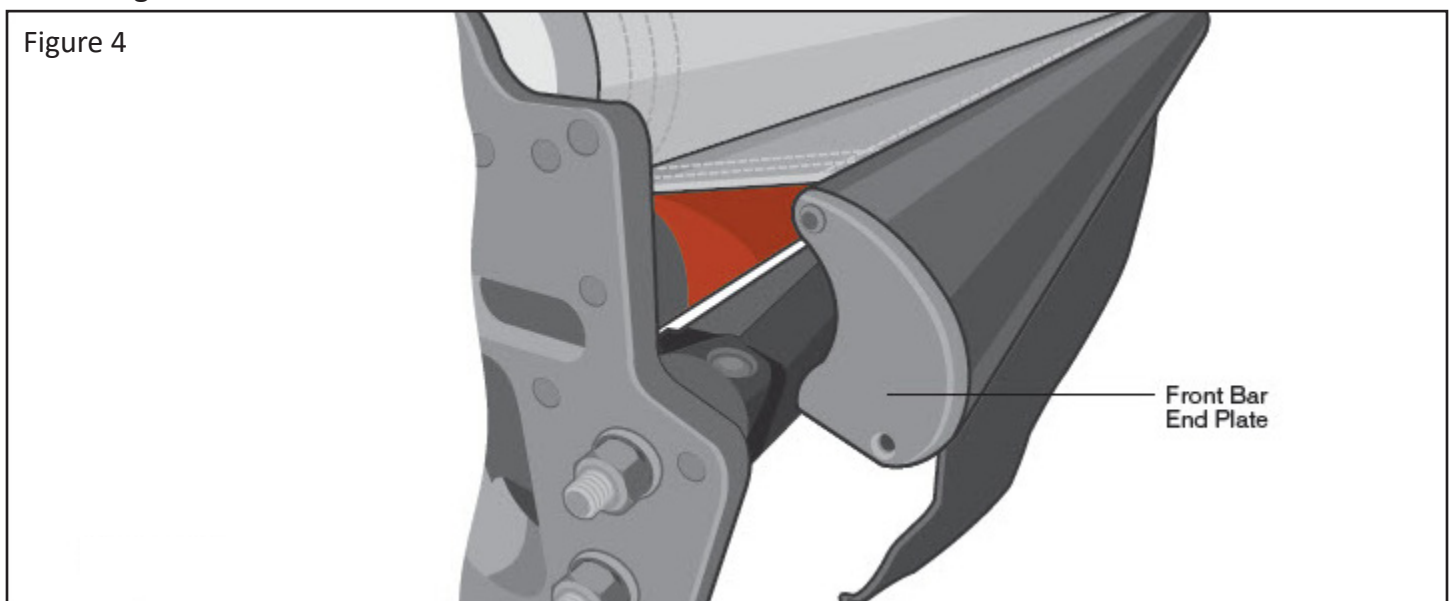
Figure 2



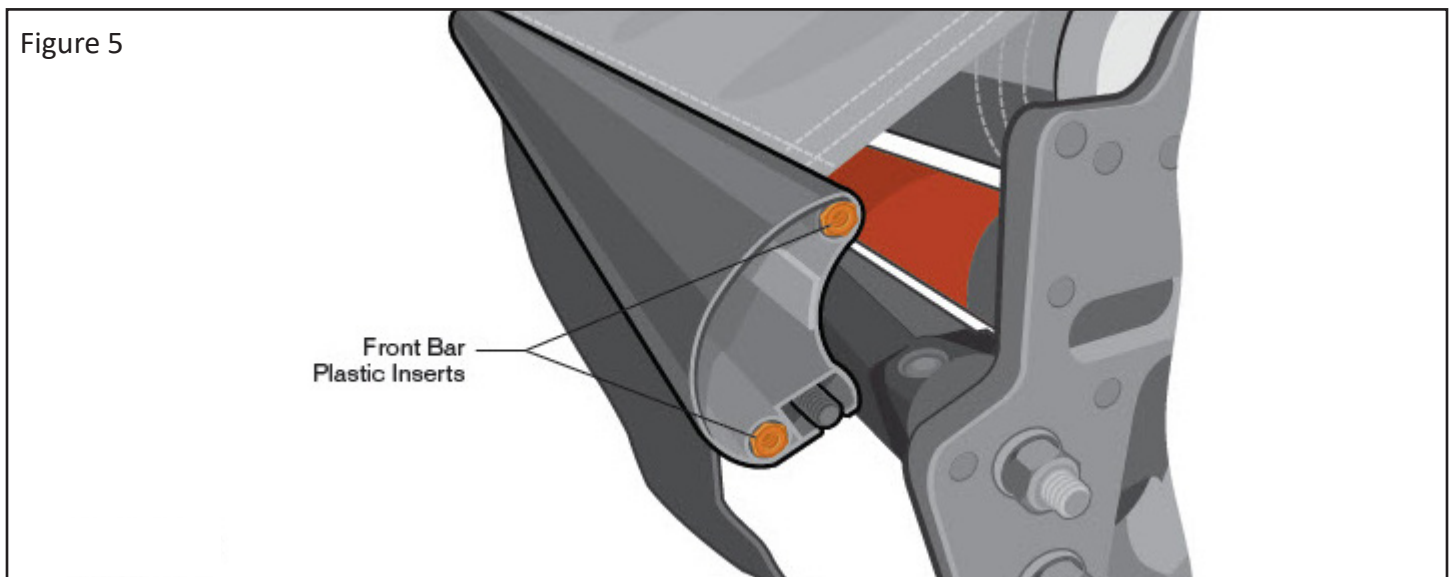
- Slide the supplied plastic Safety Sleeves on all four Arm Assemblies until they contact the Front Bar Connector. See **Figure 3**.



- Using a Phillips screwdriver, remove the side plates on the ends of the front bar being replaced. See **Figure 4**.

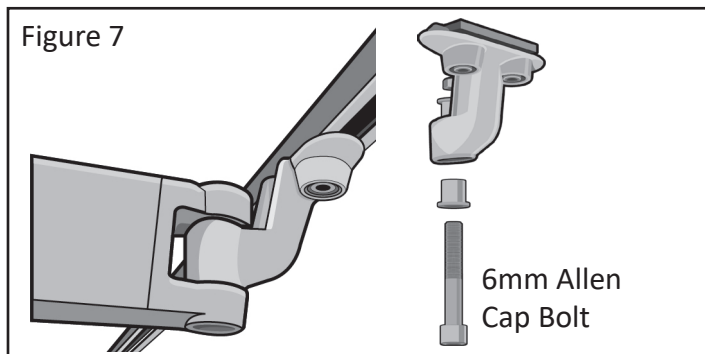
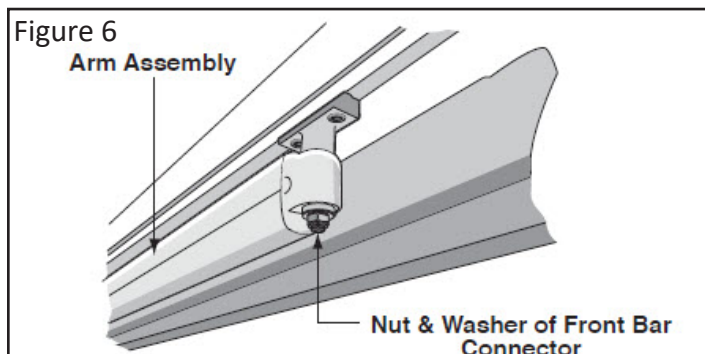


- Using a small flat blade screwdriver, carefully remove the Plastic Inserts from the fabric slot and valance slot of the Front Bar being replaced. See **Figure 5**.



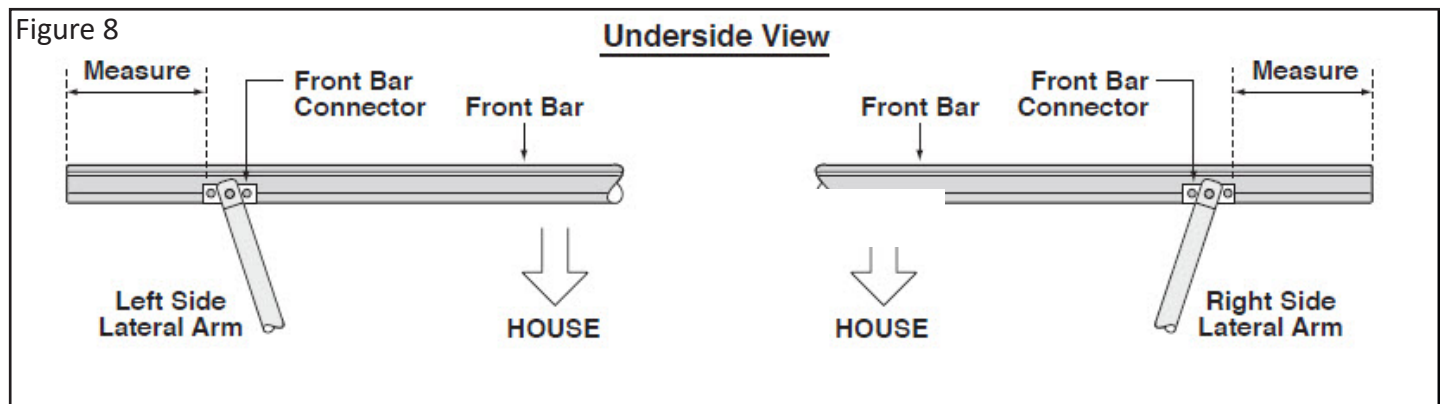
9. Remove the valance from the front bar, place aside for use during reassembly.
10. Separate the Arm Assembly from the Front Bar Connector on the Front Bar being replaced.

Note: The Front Bar Connector in Figure 6 uses a 13mm wrench or socket and the Front Bar Connector in Figure 7 uses a 6mm Allen wrench.



11. Separate the Front Bar from the end of the Arm Assemblies by lifting the Bar up. Make sure that the threaded end of the Front Bar Connectors don't damage the Fabric on the Roller Bar.
12. On the left and right sides of the Front Bar being replaced, measure from the end of the Front Bar to the outer edge of the Front Bar Connector and record each measurement (see Figure 8). You will use these measurements to properly locate each Front Bar Connector on the new Front Bar.

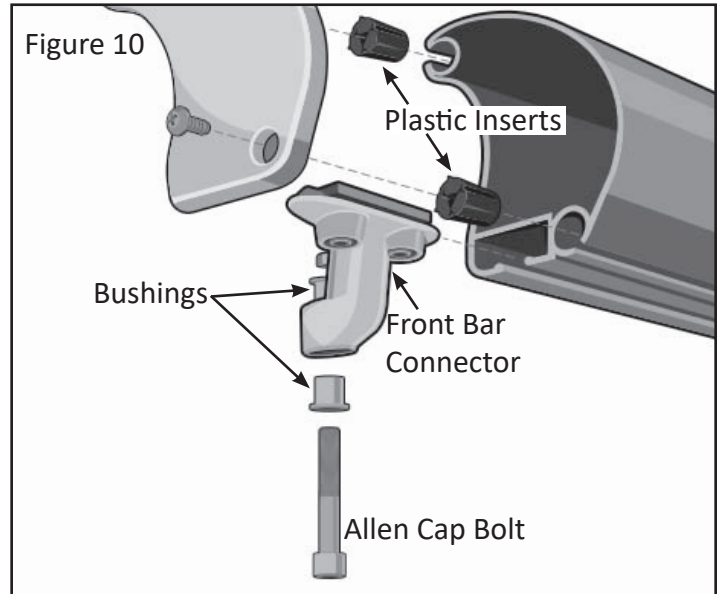
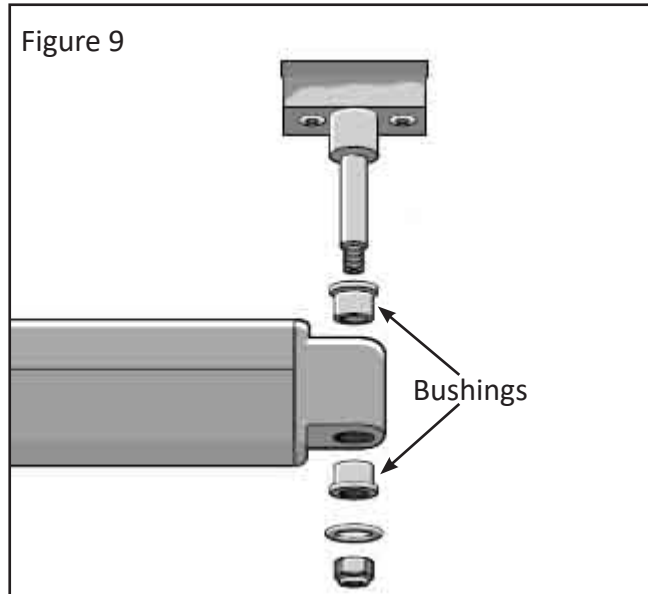
Note: This measurement might be different on each side, so be certain to indicate right or left as you record your measurements.



13. While your helper holds the end of the Fabric, slide the Front Bar off the Fabric. Be very careful that the fabric does not get damaged while the Front Bar is being replaced!
14. Remove both Front Bar Connectors from the Front Bar being replaced, using a 5mm Allen wrench.
15. Using the measurements that you recorded in Step 12, mark the new Front Bar to indicate the outer edges of the left and right Front Bar Connectors.
16. Install the Front Bar Connectors at the locations that you marked and tighten with a 5mm Allen wrench.
17. With your helper, slide the new Front Bar onto the Fabric.

18. For Front Bar Connectors shown in Figure 9, place one of the white nylon Bushings in the top hole of each of the Arm Assemblies, where the Front Far Connectors will be inserted.

For Front Bar Connectors shown in Figure 10, place the Bushings into the Front Bar Connector.



19. For Front Bar Connectors shown in Figure 9, insert the threaded end of one of the Front Bar Connectors back into the end of the Arm Assemblies, reinstall the other white nylon Bushing, flat washer and lock nut. Tighten with the 13mm wrench or socket. Repeat this procedure for the other front bar connector.

For Front Bar Connectors shown in Figure 10, insert the Front Bar Connector into the open end of the Arm Assembly, insert the Allen Cap Bolt and Nut, then tighten with the 6mm Allen wrench.

20. Locate the Valance removed during disassembly and insert into the Front Bar.

21. Locate the new Plastic Inserts and install one in each end of Fabric Slot and Valance slot of the Front Bar

Note: You may need to use a hammer to tap the plastic inserts into the Front Bars.

22. Install the Front Bar End Plates removed in **Step 7**. See **Figure 4**.

23. Carefully remove the four Plastic Safety Sleeves from the Arm Assemblies.

WARNING: THE FOLLOWING PROCEDURE SHOULD BE ACCOMPLISHED BY FOUR PEOPLE.

24. One person should be positioned at each Leg Assembly to prevent the Awning from sliding as the unit is placed in the upright position.

25. One person should be positioned at each end of the Awning assembly, and be able to support and lift the weight of that end of the Awning.

26. When the helpers are in position, the two people positioned at the ends of the Awning assembly should lift the Awning together and tip the unit until the Awning is upright on the Leg Assemblies.

27. MANUAL MODELS: Use the hand crank to unroll the Awning. The Arms will still be bent at the elbow, this is normal as they will never straighten out completely. **Note:** If you have unrolled the Awning past the point where the Arms are fully open the Fabric will begin to sag. To correct this, simply reverse the rotation of the hand crank and close the Awning until the Fabric is tight.

28. MOTORIZED MODELS ONLY: Plug the electrical cord back into your ground fault interrupter (GFI) outlet.

WARNING: FAILURE TO PLUG THE ELECTRICAL CORD INTO A GROUND FAULT INTERRUPTER (GFI) OUTLET CAN RESULT IN PERSONAL INJURY.

29. Test the awning for proper operation.