

# SunSetter®

## RETRACTABLE AWNINGS

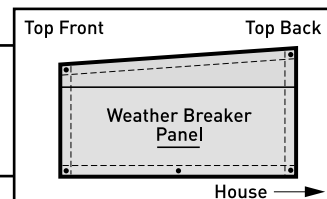
For Technical support visit us at [www.sunsetter.com/ownerscorner](http://www.sunsetter.com/ownerscorner)  
or call Toll Free 800-670-7071 • Fax 877-224-4944

## WEATHER BREAKER SIDE PANEL

### Installation Instructions for Model 900XT and 1000XT Awnings

**Tools Needed:** Pencil, 1/8" drill bit, Drill, 1/4" wrench, ruler.

**Parts Enclosed:** Weather breaker panel, (2) rail hook, (1) spring clip, (2) mounting screw (#8-18, 3/4" long), (2) cords, (1) cord-lock (housing gear).

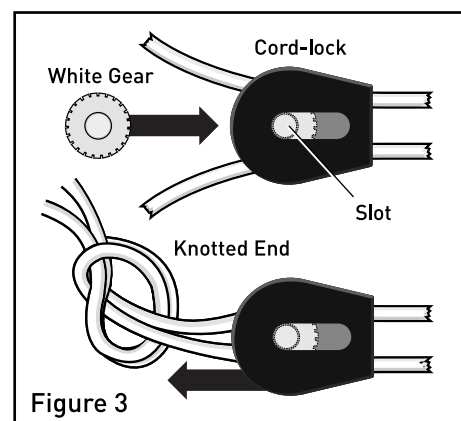
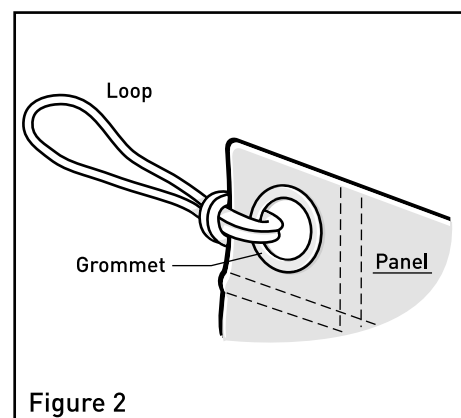
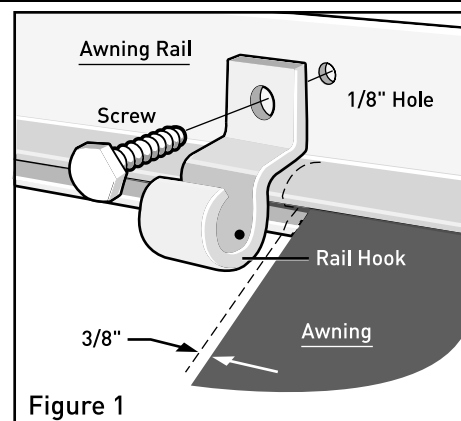


### The Model 900XT and 1000XT Awnings use a Crank Wand to Unroll the Awning

**WARNING: FAILURE TO WEAR SAFETY GLASSES OR TO FOLLOW THE INSTRUCTIONS BELOW CAN RESULT IN PERSONAL INJURY!**

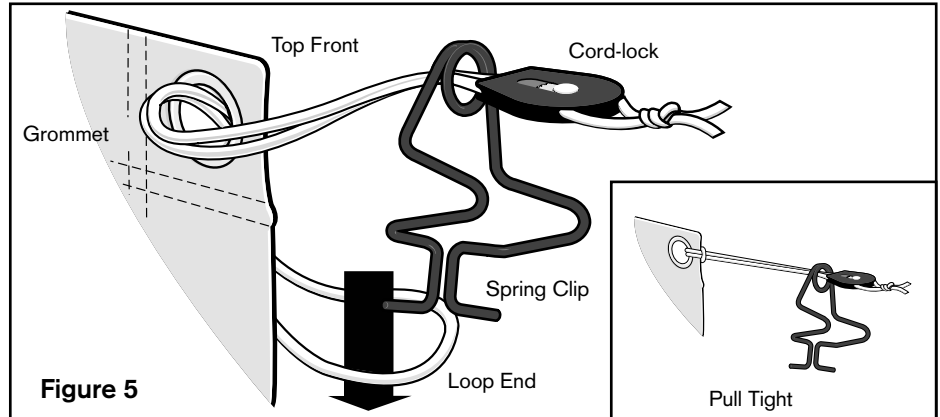
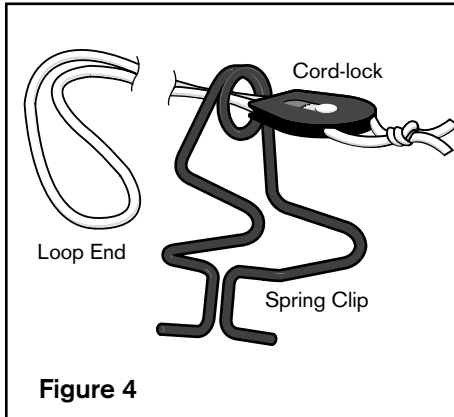
#### THE PANEL CAN BE MOUNTED ON EITHER SIDE OF THE AWNING

1. Using the rail hook as a template set the flat surface of the hook on the awning rail with a 3/8" space between the awning fabric and the edge of the rail hook. The round section should be just in front of the rail. (See Figure 1)
2. With a pencil, mark the location of the hole in the hook on the awning rail. (See Figure 1)
3. Remove the rail hook and drill a 1/8" hole through the awning rail. (See Figure 1)
4. Place the rail hook on the awning rail as described in step 1 and secure using the supplied screw. (See Figure 1) Repeat for the other side of the awning, if needed.
5. Tie one of the supplied cords to the grommet on the top back side of the panel to create a 'loop'. (See Figure 2)
6. Slide the two ends of the second cord through the cord-lock from the smaller (flat edge) side to the larger (curved) side. **(Do Not Pull The Entire Cord Through)**. Hold the cord-lock in the center of the rope and separate the two ends of the cord. (See Figure 3)
7. Slide the round white gear into the large (curved) open end of the cord-lock housing until the gear pops into place. Be sure that the part of the gear that protrudes is aligned with the slot in the cord-lock housing. Tie the two ends of the cord so that they cannot slide back through the cord-lock. Slide the cord-lock all the way towards the knot on the cord. (See Figure 3)



8. Slide the loop end of the cord through the round hole in the spring clip and then through the top front grommet as shown in figure 4. (Outside of arc to inside of arc).

9. Slide the knotted end of the cord, the cord-lock and spring clip, through the loop of cord on the other side of the grommet as shown in figure 5. Pull the rope tight.



## Operation Instructions

### Setup

Place the loop of cord (attached to the grommet on the back of the panel) over the rail hook you installed on the awning rail.

The installation holes for the weatherbreaker side are already in place in the roller bar on your awning. On the roller bar, locate the round cream-colored sticker near the two ends of the fabric that cover the installation holes and remove them. (the roller bar contains the installation holes for every accessory that we offer, only remove the stickers for the accessory that you are using). Insert the spring clip by first squeezing the center. This will allow you to insert the two hooks into the hole in the roller bar.

Tighten the panel by holding the sides of the cord-lock and pulling the cord as shown. (See Figure 6)

### Removal

Slide the wheel on the turnbuckle back to loosen the cord.

Remove the spring clip from the roller bar by squeezing the center.

Remove the cord loop from the rail hook on the house.

### Adjustment

To adjust how far away from the house the weather breaker mounts, a second knot can be tied in the cord that is attached to the rail hook, to shorten the distance between the panel and the house.

**WARNING -** When leaving the awning open unattended, even with the Weather Breaker installed, you must lower one arm or both to create enough drop (front to back) to prevent rain from accumulating on the fabric. If the awning is used with both arms in the vertical position, you must bring at least one arm back to the wall bracket, and then lower it.

