



RETRACTABLE AWNINGS

For Technical Support visit us at <http://ownerscorner.sunsetter.com>,
e-mail contactus@sunsetter.com, or Call Toll Free 800-670-7071 • Fax 877-224-4944

Lateral Arm Replacement Instructions

*** Helpers Needed ***

Tools Needed: Step ladder, 6mm Allen wrench, 4mm Allen wrench, and a towel.

Parts Supplied: (1) Lateral Arm (Left or Right), (2) Plastic safety sleeves.

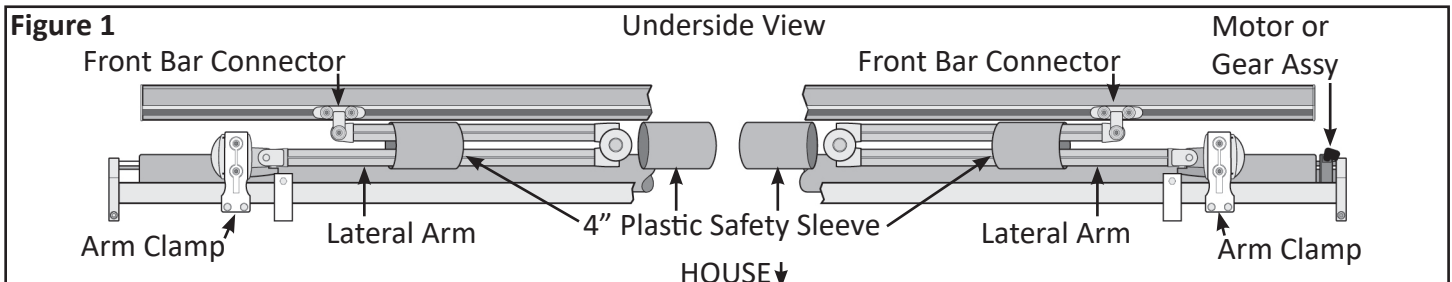
WARNING: FAILURE TO FOLLOW THESE INSTRUCTIONS CAN RESULT IN PERSONAL INJURY!! PLEASE READ THESE INSTRUCTIONS IN ITS ENTIRETY BEFORE ATTEMPTING TO COMPLETE THIS PROCESS.

PLEASE NOTE THAT LEFT AND RIGHT REFERENCES ARE AS YOU ARE FACING THE HOUSE.

1. Make sure the awning is completely retracted against the house.
2. **Motorized Models:** Press the **MY** button on the Remote Transmitter.
3. Unplug the Power Cord from the wall outlet on your house.

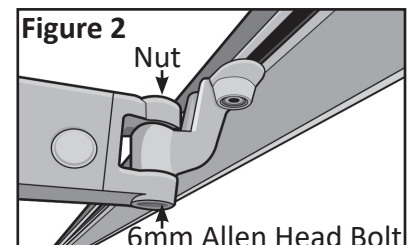
WARNING: FAILURE TO FULLY INSTALL THE SAFETY SLEEVES CAN RESULT IN PERSONAL INJURY!

4. Slide the supplied plastic Safety Sleeves on both Lateral Arms until they contact the Front Bar Connectors. See **Figure 1**.



5. Using a 6mm Allen wrench, remove the Allen Head Bolt from the Front Bar Connector of the Lateral Arm you are replacing. See **Figure 2**.

Note: Save the Nut from the top of the Front Bar Connector and the two white Nylon Bushings (not necessary to remove Bushings) from the inside of the Front Bar Connector for installing the replacement Lateral Arm. See **Figure 2**.



CONTINUE TO STEP 6 ON THE NEXT PAGE

6. Separate the Lateral Arm from the Front Bar Connector. Wrap the towel around the Front Bar Connector and tuck it between the Roller Bar and the wall of the house so that it won't slip and fall. If your soffit prevents you from doing so, have a helper hold the Front Bar while you continue with the following steps.

7. Swing the Lateral Arm away from the house and locate the two 4mm Allen Set Screws on the inside of the Arm Clamp. See **Figure 3**.

8. Remove the plastic Cover from between the two Allen Set Screws in the Arm Clamp. See **Figure 3**.

9. Using a 4mm Allen wrench, **loosen the Upper Set Screw** inside the Arm Clamp, but **do not remove it**. See **Figure 3**.

10. Loosen the **Lower Set Screw** inside the Arm Clamp, but **do not remove it**. See **Figure 3**.

11. Lift the Lateral Arm to remove weight from the Attachment Pin.

12. Slide the Attachment Pin out of the Arm Clamp. It could be necessary to shake the Arm a little to release pressure from the Pin. See **Figure 4**.

Note: Save this Pin for installation of the replacement Lateral Arm.

13. Separate the Lateral Arm from the Arm Clamp and place aside.

14. Position the replacement Lateral Arm inside the Arm Clamp and insert the Attachment Pin up through the Arm Clamp and the Lateral Arm end. See **Figure 4**.

15. Make sure that the Attachment Pin is centered in the Arm Clamp, then tighten the lower 4mm Allen Set Screw. See **Figure 3**.

16. Tighten the upper 4mm Allen Set Screw all the way, then back off $\frac{3}{4}$ of a turn. See **Figure 3**.

17. Insert the plastic Cover between the upper and lower Allen Set Screws. See **Figure 3**.

18. Swing the Lateral Arm back towards the house.

19. If necessary, replace the white Nylon Bushings in the Front Bar Connector

20. Slide the end of the Lateral Arm on to the Front Bar Connector.

21. Insert the Nut into the recess on the top of the Lateral Arm, where it meets the Front Bar Connector.

22. Insert the 6mm Allen Head Bolt through the bottom of the Lateral Arm, through the Front Bar Connector, and tighten into the Nut on the top of the Lateral Arm.

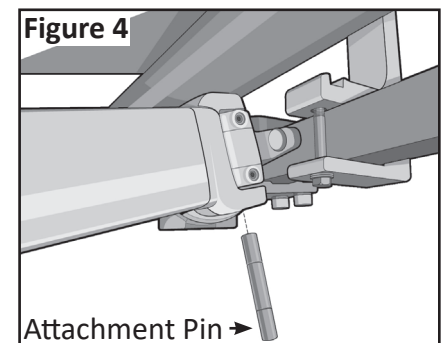
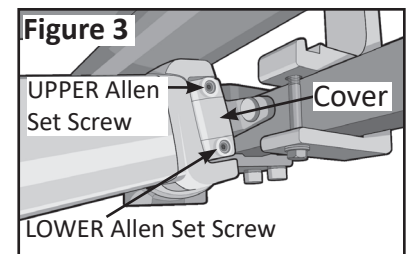
23. Make sure all hardware is safely tight and secure.

24. Carefully remove the two plastic Safety Sleeves from both Lateral Arms.

25. Plug the power cord back into the wall outlet on the house.

26. Test your Awning for proper operation.

27. With the Awning in the closed position, inspect the height of the two folded Lateral Arms. The elbows should be approximately the same height and should not contact the Front Bar. The height of the closed Lateral Arms, at the Elbows, can be adjusted slightly up or down by turning only the UPPER SET SCREW. See Figure 3.



WARNING: LOOSEN ONLY THE UPPER SET SCREW OF THE ARM CLAMP TO MAKE ADJUSTMENTS. DO NOT LOOSEN THE LOWER SET SCREW. FAILURE TO DO SO CAN RESULT IN PERSONAL INJURY!

28. If needed, adjust the pitch or angle of your awning using Appendix B of your Owners' Manual. This manual is also available on the SunSetter Owners Corner.