



For Technical support visit us at [www.sunsetter.com/ownerscorner](http://www.sunsetter.com/ownerscorner)  
or call Toll Free 800-670-7071 • Fax 877-224-4944

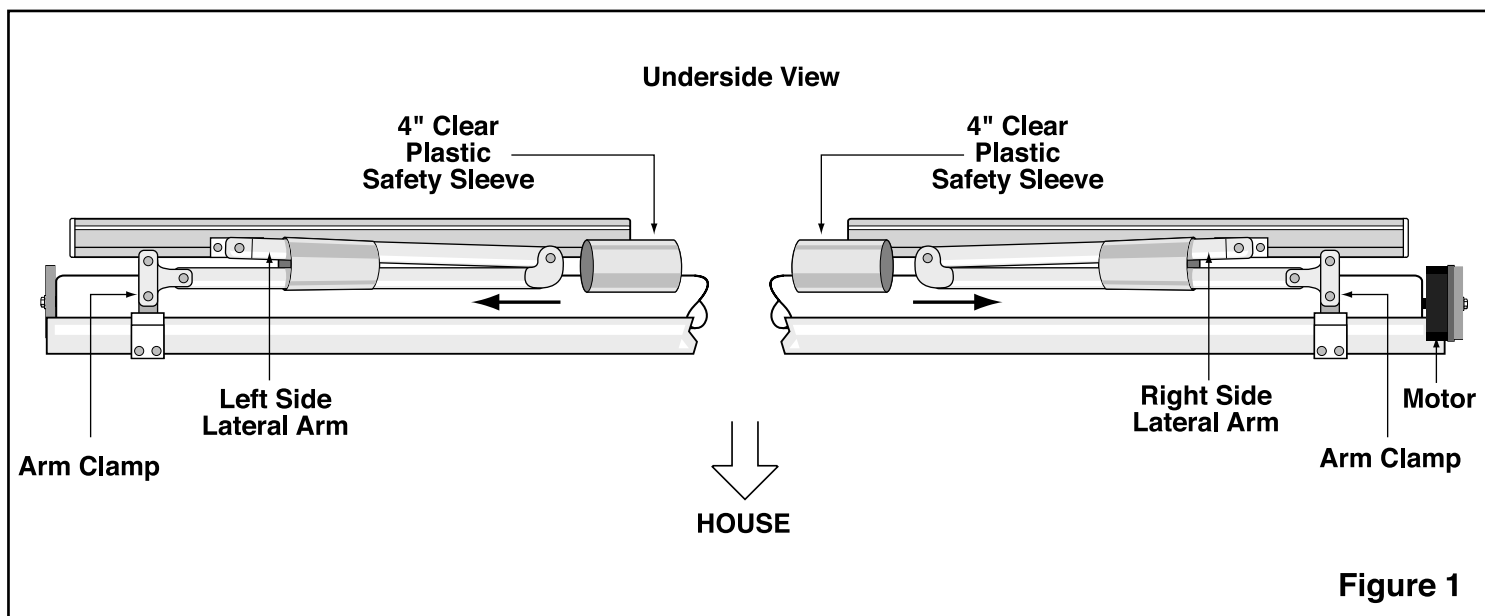
## Motorized Awning Arm Clamp Replacement \*Helper Needed\*

**Tools Needed:** Step ladder, 13mm wrench or socket, towel, 4mm Allen wrench, pencil.

**Parts Supplied:** (1) Arm Clamp (Left or Right), (2 ea) Retaining bolt, nut and washer, (2) Plastic safety sleeves

**WARNING:** Failure to follow these instructions can result in **PERSONAL INJURY!!** Please read these instructions in its entirety before attempting to complete this process.

**PLEASE NOTE THAT LEFT AND RIGHT REFERENCES ARE AS YOU ARE FACING THE HOUSE.**



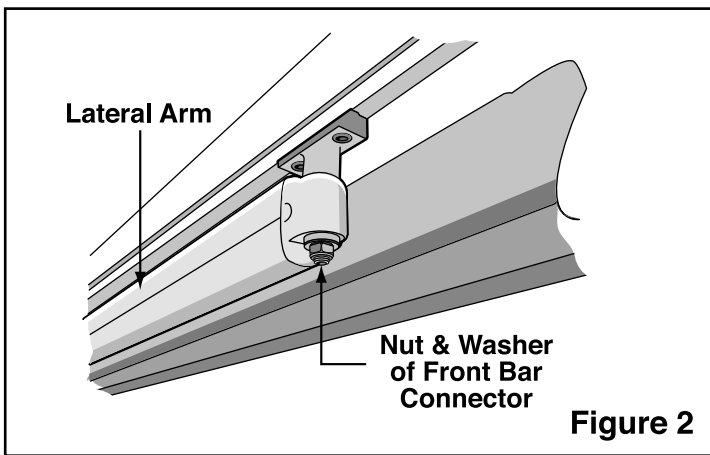
1. Make sure the awning is completely retracted against the house. Place the wall switch or remote transmitter button in the neutral position.

2. Unplug the power cord from the wall outlet on your house.

3. On the square bar, make a mark on both sides of the arm clamp you are replacing.

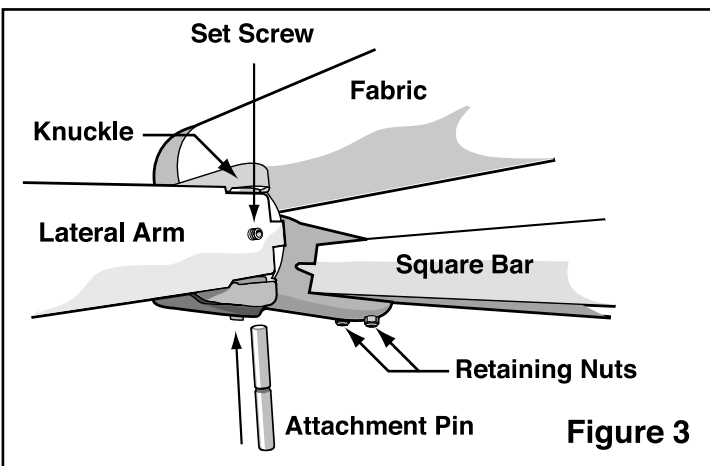
4. Slide the supplied plastic safety sleeves on both arms- see Figure 1.

5. On the Lateral Arm attached to the arm clamp you are replacing, remove the nut and washer on the front bar connector using a 13mm wrench or socket- see Figure 2. Be sure to save the two white nylon bushings as you will reuse them later.



6. Separate the front bar from the end of the lateral arm by lifting the bar up. Place a towel over the threaded end of the front bar connector and tuck it between the roller bar and the wall of the house so that it won't slip and fall. If your soffit prevents you from doing so, have a helper hold the front bar while you continue with the following steps. Make sure that the threaded end of the front bar connector doesn't damage the fabric on the roller bar.

7. Swing the lateral arm away from the house and locate the 4mm Allen set screw on the inside of the arm clamp- see Figure 3. Using a 4mm Allen wrench, loosen the screw but do not remove. Slide the lateral arm attachment pin out of the knuckle of the arm clamp, save this pin for reuse later- see Figure 3 (you might need to shake the arm a little to release pressure from the pin). Separate the lateral arm from the arm clamp and place on a smooth surface.

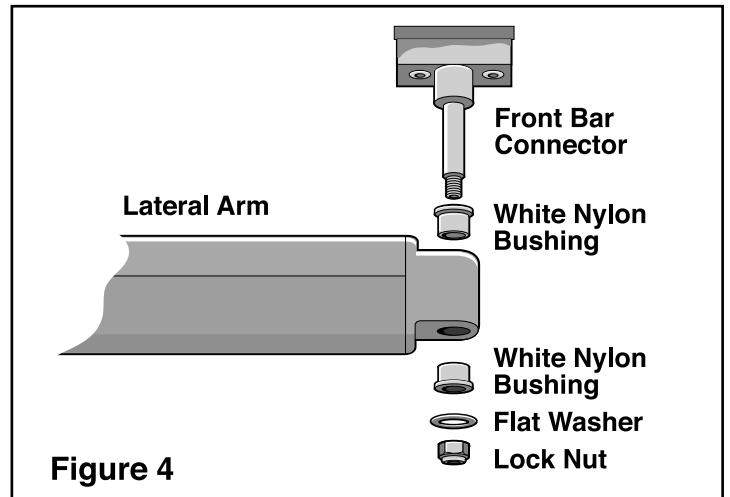


8. Using a 13mm wrench or socket, remove the two retaining nuts and washers which secure the arm clamp to the square bar (located on the back of the arm clamp). Remove the two retaining bolts from the back of the arm clamp- see Figure 3. Remove the arm clamp from the square bar.

9. Place the new arm clamp onto the square bar with the knuckle facing the center of the awning, and install the two retaining bolts, washers and nuts- see figure 3. Align the outer edges of the arm clamp with the marks on the square bar that you made in step 3. Evenly tighten the nuts with the 13mm wrench or socket.

10. Position the lateral arm inside the knuckle of the arm clamp and reinsert the attachment pin through the knuckle and the lateral arm end. Make sure that the attachment pin is centered in the knuckle and then tighten the 4mm Allen set screw.

11. Swing the lateral arm back towards the house, then place one of the white nylon bushings in the top hole where the front bar connector will be inserted-see figure 4.



12. Insert the threaded end of the front bar connector back into the end of the lateral arm, reinstall the other white nylon bushing, flat washer and lock nut. Tighten with the 13mm wrench or socket.

13. Carefully remove the two plastic safety sleeves from both lateral arms.

14. Plug the power cord back into the wall outlet on the house.

15. Test your awning for proper operation.

16. Adjust the pitch or angle of your awning using the supplied instructions.