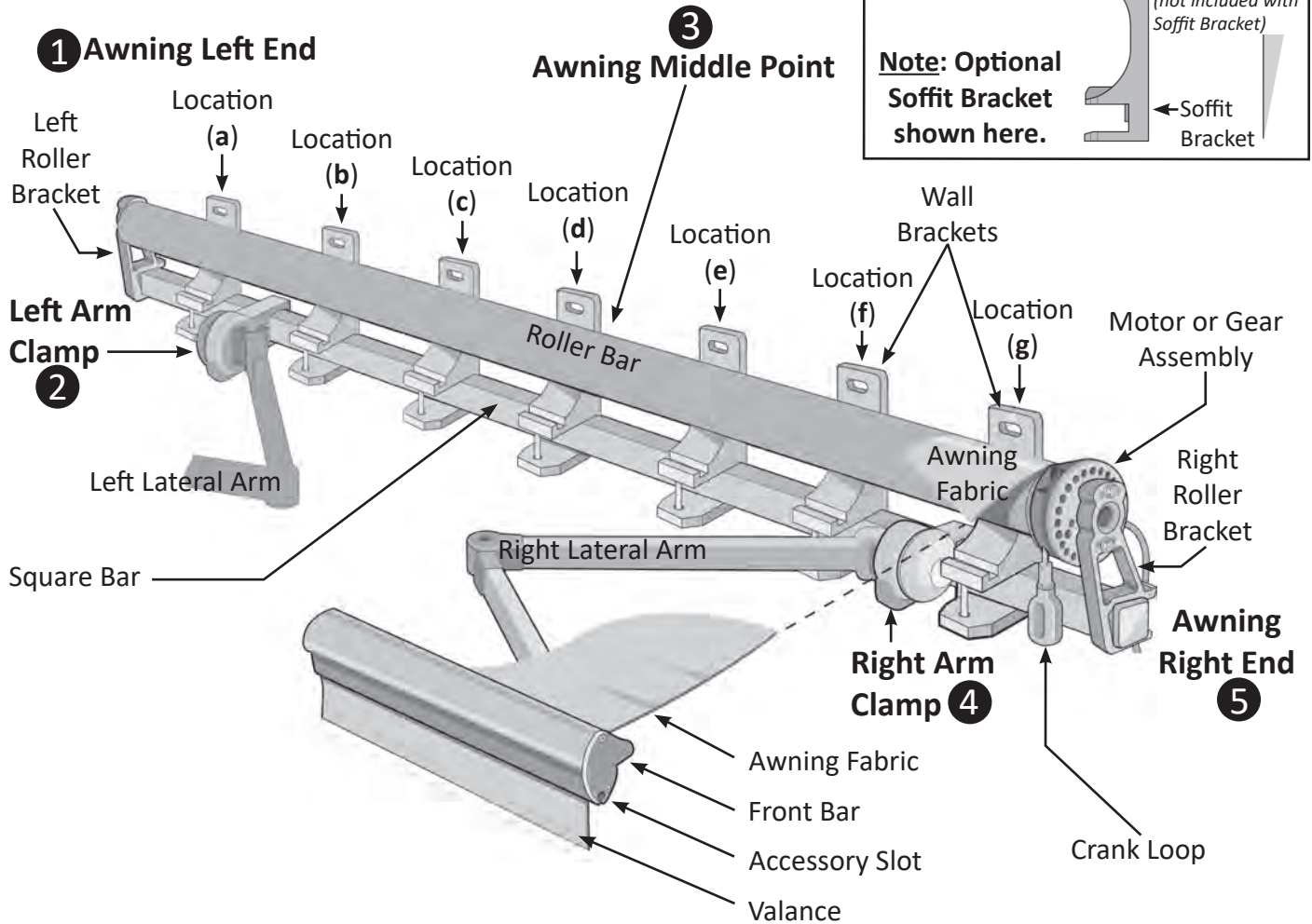
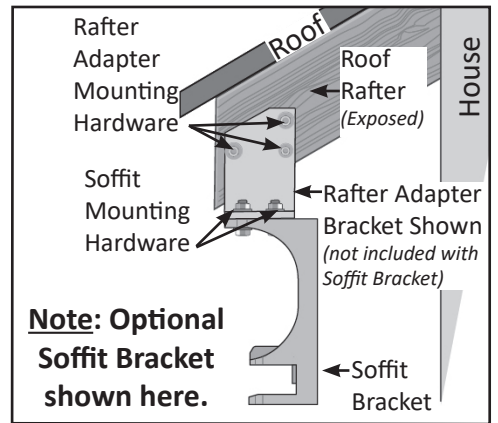


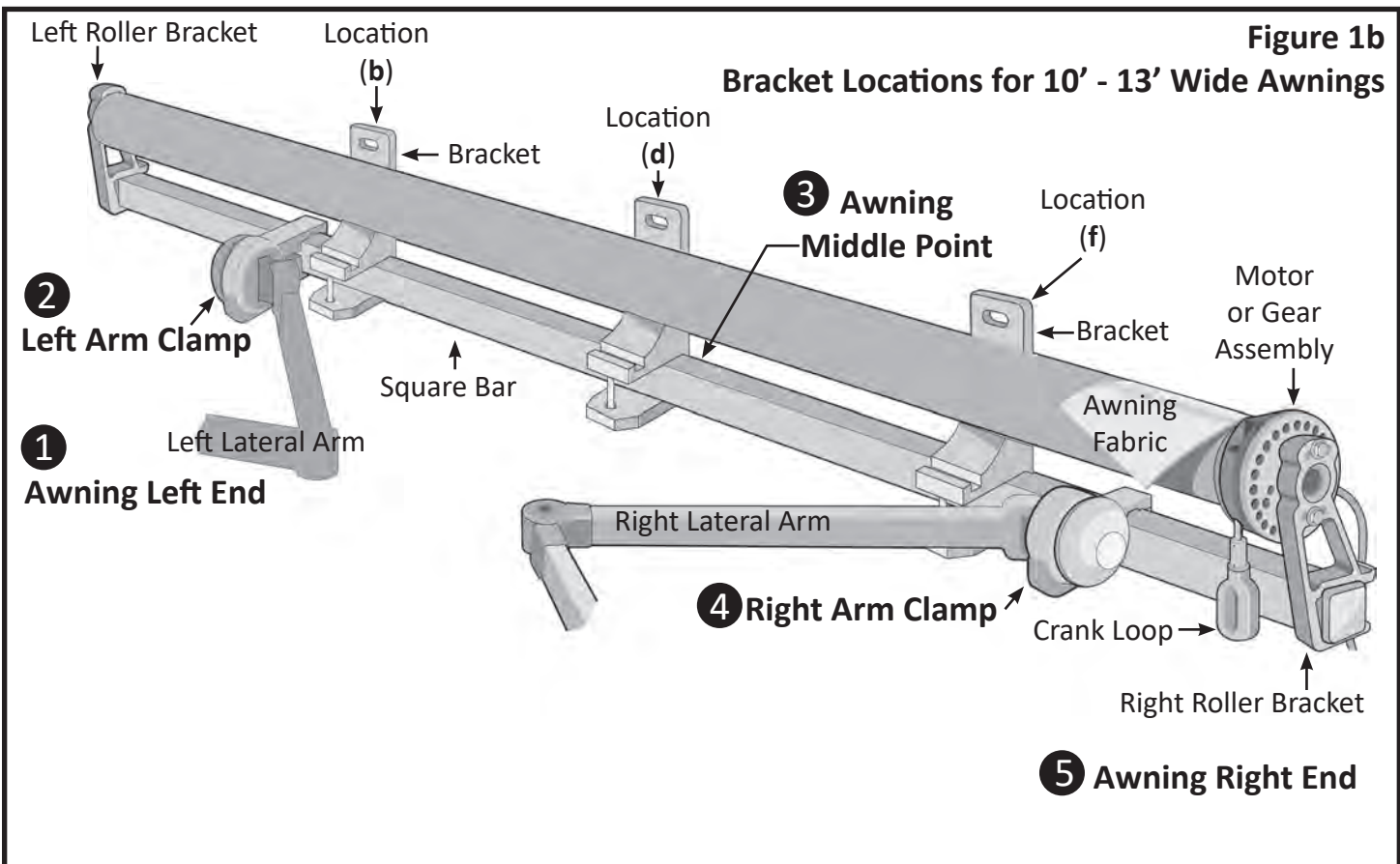
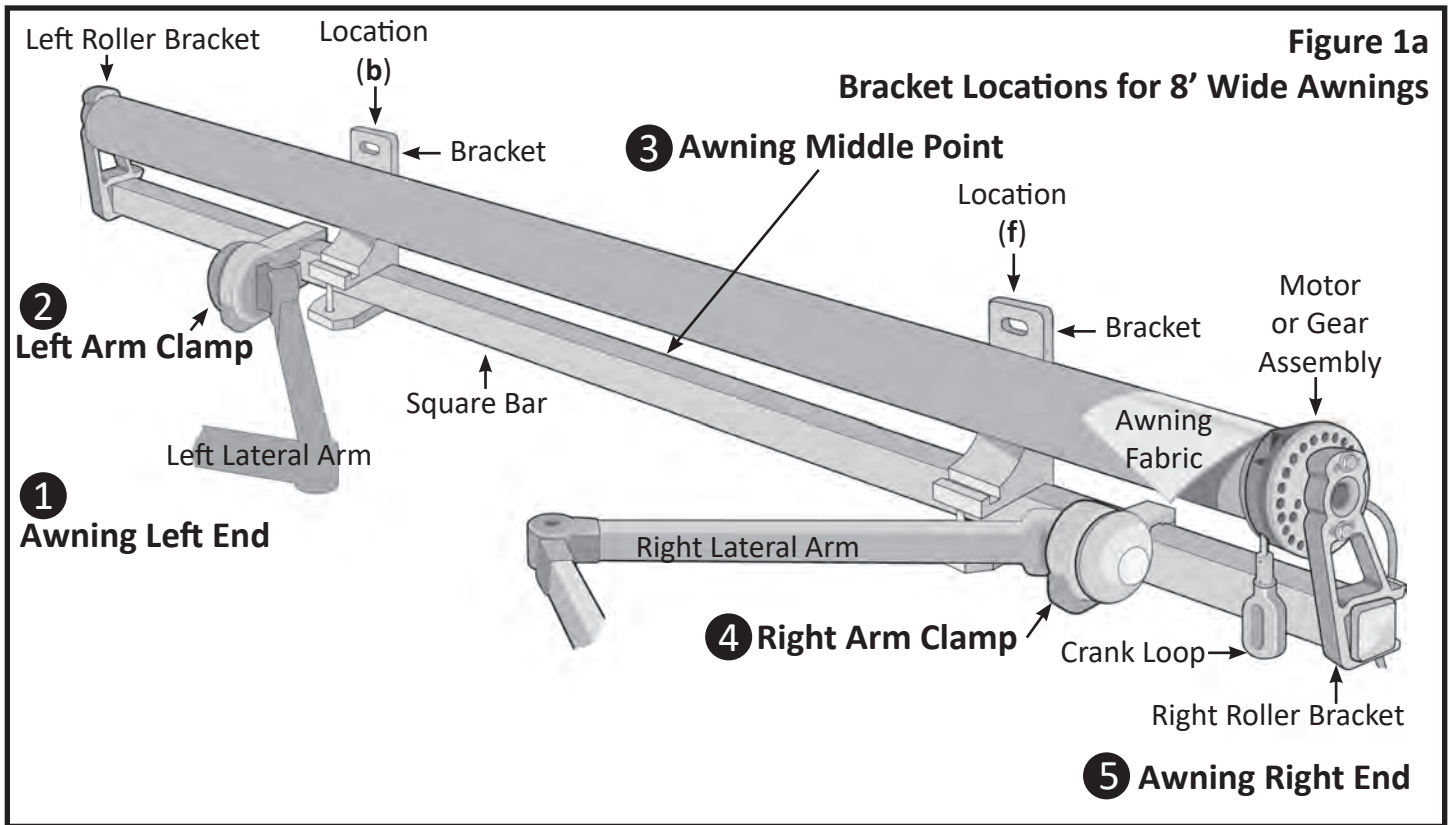
# Parts Diagram

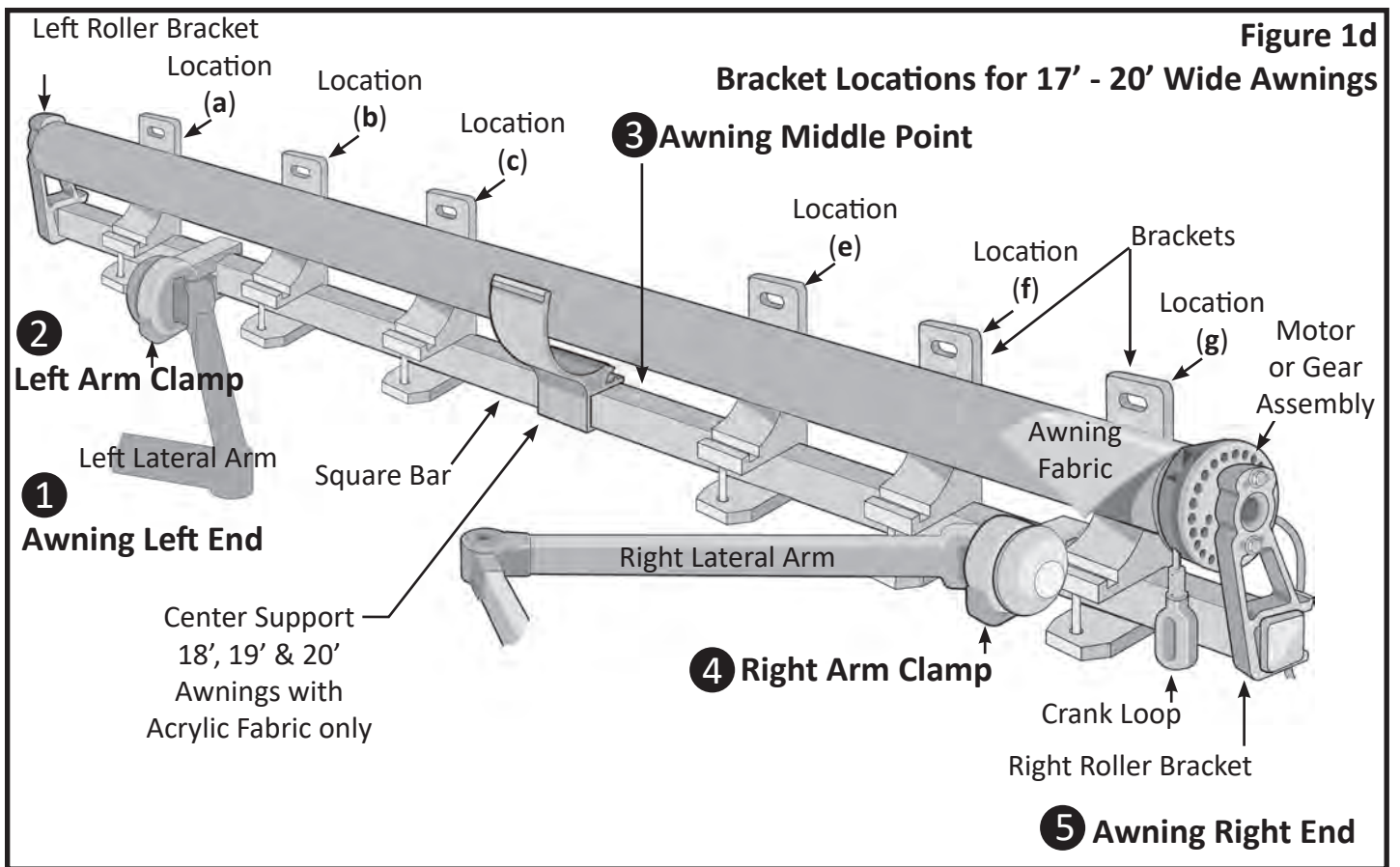
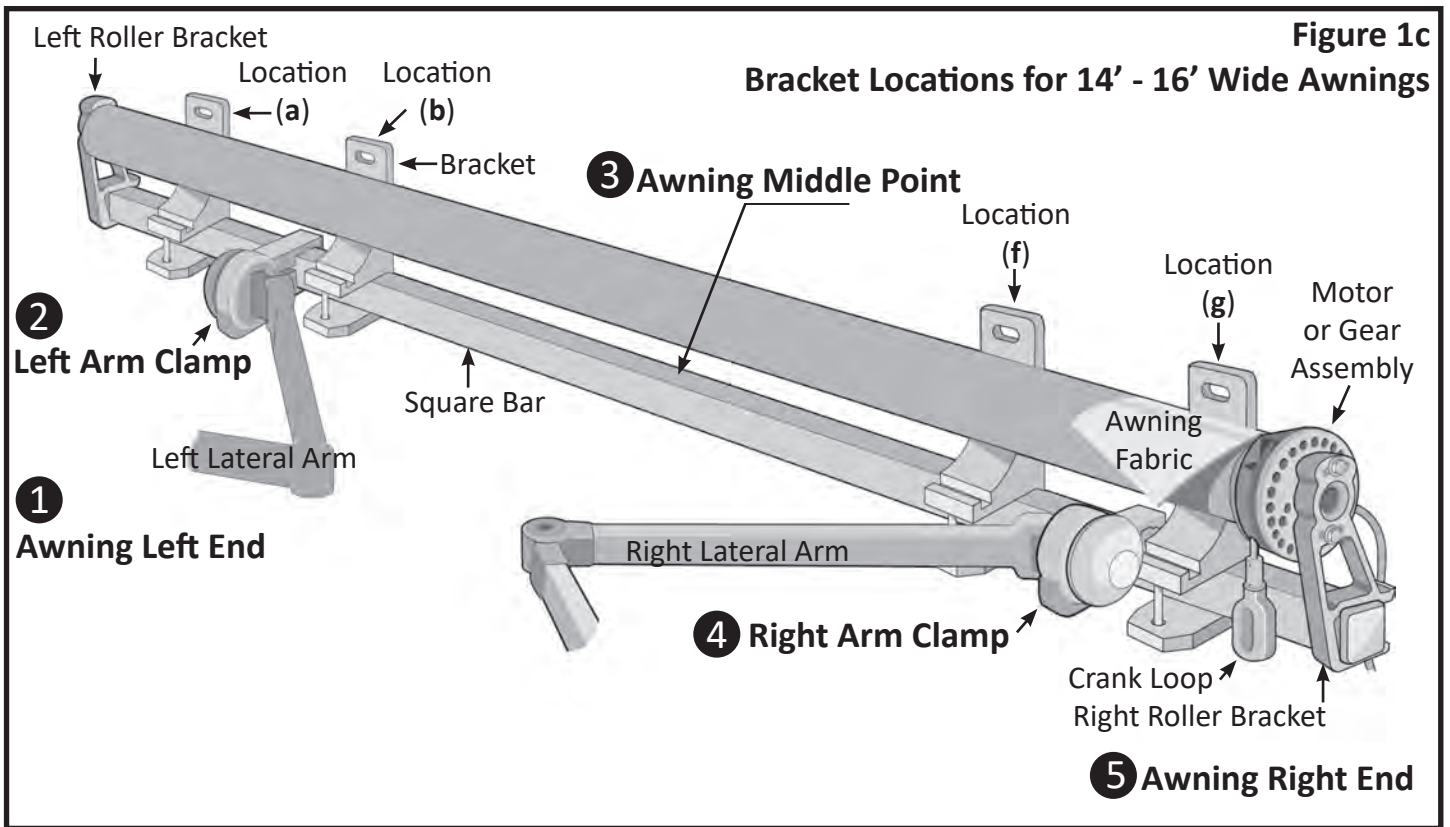
**Figure 1**

**Note:** This figure shows Awning with Motor installed on the right side as you face the house.

**Note:** Number of Brackets supplied with the Awning will vary (minimum of 2, maximum of 6) depending on Awning size. See Parts List on page 4.





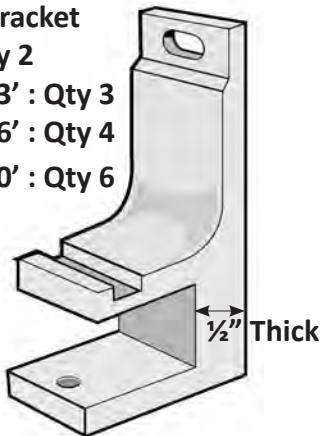


# Supplied Fasteners / Parts List

**Note:** All Awnings ship with one of the following types of Brackets and Mounting Hardware:

## Wall Bracket

- 8' : Qty 2
- 10' - 13' : Qty 3
- 14' - 16' : Qty 4
- 17' - 20' : Qty 6

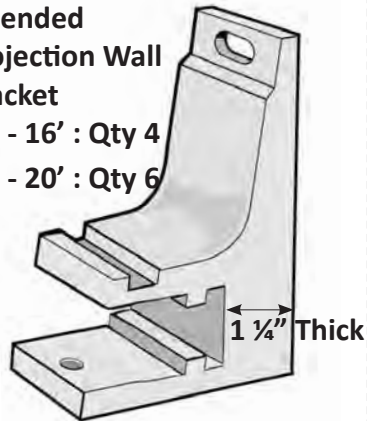


Mounting Hardware Includes:

- Two 4" Lag Screws and Flat Washers for each Wall Bracket
- One Retaining Bolt Set for each Wall Bracket

## Extended Projection Wall Bracket

- 14' - 16' : Qty 4
- 17' - 20' : Qty 6

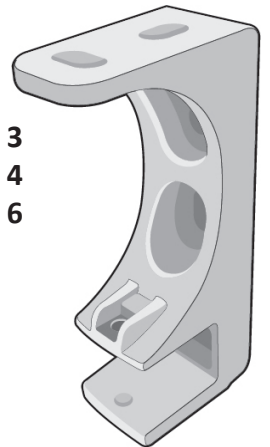


Mounting Hardware Includes:

- One 4" Lag Screw and Flat Washer for each Wall Bracket (use 4" Lag Screw in top Bracket hole)
- One 5" Lag Screw and Flat Washer for each Wall Bracket (use 5" Lag Screw in bottom Bracket hole)
- One Retaining Bolt Set for each Wall Bracket

## Soffit Bracket

- 8' : Qty 2
- 10' - 13' : Qty 3
- 14' - 16' : Qty 4
- 17' - 20' : Qty 6



Mounting Hardware Includes:

- Two 4" Lag Screws and Flat Washers for each Soffit Bracket
- One Retaining Bolt Set for each Soffit Bracket

## Lag Screws and Flat Washers

- $\frac{3}{8}$ " Flat Washer
- 8' : Qty 4
- 10'-13' : Qty 6
- 14'-16' : Qty 8
- 17'-20' : Qty 12

### $\frac{3}{8}$ " x 4" Lag Screw (for all Brackets)

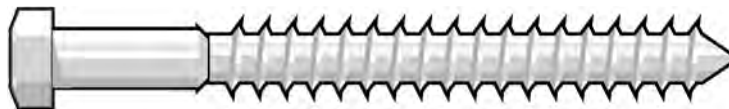
(Note: For Extended Projection Wall Bracket, half the number of 4" Lag Screws are replaced with 5" Lag Screws, as shown below.)

- 8' : Qty 4, 10'-13' : Qty 6, 14'-16' : Qty 8, 17'-20' : Qty 12

### $\frac{3}{8}$ " x 5" Lag Screw (for Extended Projection Wall Bracket only)

- 14'-16' : Qty 4, 17'-20' : Qty 6

Use 5" Lag Screw in bottom Bracket hole



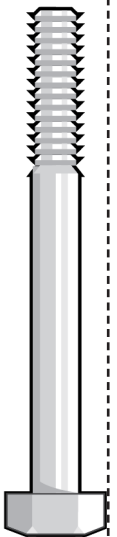
## Retaining Bolt Set

- 8' : Qty 2
- 10'-13' : Qty 3
- 14' - 16' : Qty 4
- 17'-20' : Qty 6

### $\frac{5}{16}$ " x 2- $\frac{3}{4}$ " Retaining Hex Bolt

### $\frac{5}{16}$ " Retaining Nut

### $\frac{5}{16}$ " Flat Washer

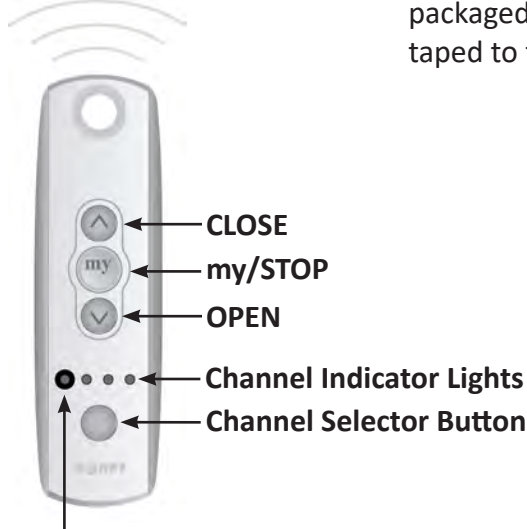


6 mm Allen Wrench  
Qty 1

Crank Wand  
Qty 1

## Additional Parts List - Motorized Models Only

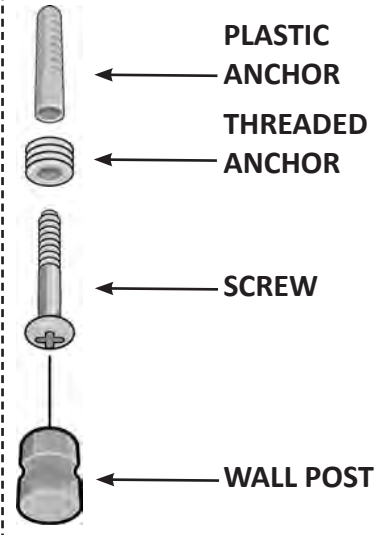
### MultiChannel Remote Transmitter, Qty 1



A Spare CR2430 Lithium Battery for the Remote Transmitter is packaged in the clear bubble pack taped to the Motor Power Cord.



### Wall Mount for Remote Transmitter, Qty 1



**Note:** Awning is preset to operate on Channel 1.

- Check the active Channel by briefly pressing the Channel Selector Button. The active Channel Light will blink.
- Change Channel by pressing the Channel Selector Button.
- Press the Channel Selector Button again while the Channel Indicator Light blinks and the next Channel will be selected.

## Optional Parts List - Masonry, Brick or Concrete Installations

(available for all models)

**3/8" x 6" Masonry Drill Bit, Qty 1 (For Masonry Walls)**



- 8' Awning = Qty 4
- 10' - 13' Awning = Qty 6
- 14' - 16' Awning = Qty 8
- 17' - 20' Awning = Qty 12

**Note:**

For Extended Projection Awnings, substitute half of the 4" Masonry Bolts with 5" Masonry Bolts



## Other Optional Items Packaged in the Same Tube with your Awning (if purchased with your Awning)

- a. Cover      b. Wireless Wind Sensor      c. Wireless Wall Switch      d. All-Weather Remote

## Tools Required

In your package you will find the following tools: 6 mm Allen Wrench.

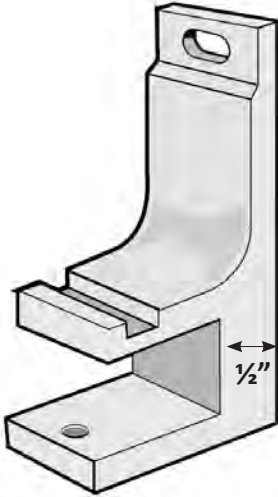
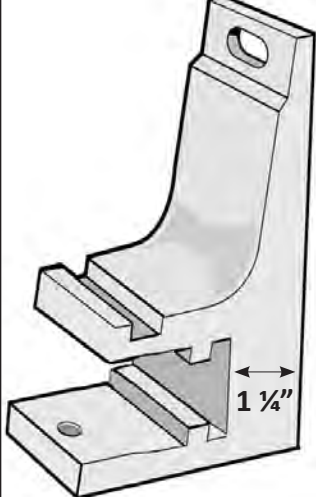
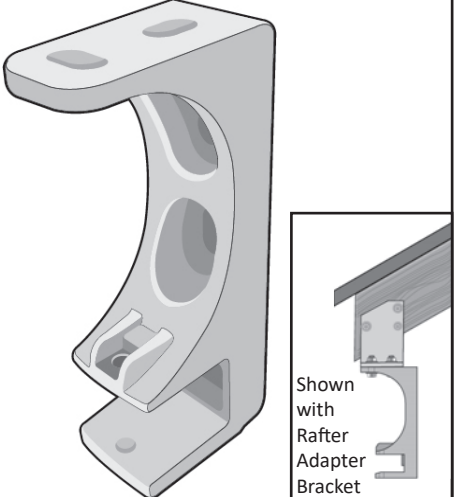
**For any type of WALL or SOFFIT installation you will need an assistant(s)**, measuring tape, two step-ladders,  $\frac{1}{16}$ " socket, chalk line (or string), Phillips screwdriver, pencil, level, electric drill, a  $\frac{1}{2}$ " or 13 mm wrench, a stud finder, and an adjustable wrench (to adjust pitch, if desired).

If you have a wood frame construction with wood, vinyl, stucco, or aluminum siding, you will need in addition to the above;  $\frac{1}{8}$ " and  $\frac{1}{4}$ " drill bits.

If you have masonry construction or brick walls, you also need a  $\frac{1}{4}$ " masonry drill bit for drilling holes for Masonry Bolts.

## Installation Area

1. Inspect the wall/soffit you plan to mount your Awning on, and be sure you have a clear area with no light fixtures, doors, windows, or downspouts to obstruct your installation. **Check the wall/soffit surface for bows or swells.** If you have these conditions, shimming the Brackets will be required. See **Figure 4, Page 9.**

For Wall Mount Continue Below		For Soffit Mount Proceed to Page 11
<p><b>Standard Projection Wall Brackets</b></p> <p>Use 4" Lag Screw in Top and Bottom Holes of Bracket</p>  <p><math>\frac{1}{2}</math>"</p>	<p><b>Extended Projection Wall Brackets</b></p> <p>Use 4" Lag Screw in Top Hole Use 5" Lag Screw in Bottom Hole</p>  <p><math>1 \frac{1}{4}</math>"</p>	<p><b>Soffit Brackets</b></p> <p>Use 4" Lag Screw in both Top Holes</p>  <p>Shown with Rafter Adapter Bracket</p>

**For Soffit Mount Only, skip the "Mounting Height" section below and proceed directly to "Soffit Mount Installation - Mounting Line" on Page 11.**

**For Wall Mount Only, continue below:**